




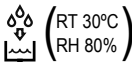








## **USER AND MAINTENANCE MANUAL**

DH 720 P

---

| en | it | de | es | fr | nl | pt | da | pl | ru | cs | hu | lt | lv | et | ro | uk | zh |

**ТЕХНИЧЕСКИ ДАНИ - TECHNICKÉ ÚDAJE - TECHNISCHE DATEN - TEKNISK DATA -**  
**TEHNILISED ANDMED - ESPECIFICACIONES TÉCNICAS - TEKNISET TIEDOT -**  
**DONNÉES TECHNIQUES - TECHNICAL DATA - TEHNIČKI PODACI - MŐSZAKI ADATOK -**  
**DATI TECNICI - TECHNINIAI DUOMENYS - TEHNIŠKIE DATI - TECHNISCHE GEGEVENS -**  
**TEKNISKE DATA - DANE TECHNICZNE - DADOS TÉCNICOS - DADOS TÉCNICOS - INFORMAZIONI**  
**TEHNICE - ТЕХНИЧЕСКИЕ ДАННЫЕ - TEKNISKA DATA - TEHNIČNI PODATKI -**  
**TECHNICKÉ PARAMETRE - ТЕХНІЧНІ ДАНІ - 技术参数**

<b>MODEL</b>	<b>DH 720 P</b>
	~220V-240V-B / 50Hz - Гц 415W - Вт / 1,9A
 (RT 30°C) RH 80%	20 l/day - л / 24ч
	Rotary
	R-290 0,09kg - кг
	150 m <sup>3</sup> /h - м <sup>3</sup> /ч
	5 ~ 32°C
	35 ~ 95%
	5 L - л
	336 x 210 x 569 mm - мм
	11 kg - кг
CO <sub>2</sub> Eq	0,0003
GWP	3

en

it

de

es

fr

nl

pt

dk

fi

no

se

pl

ru

sc

hu

sl

tr

hr

lt

lv

et

ro

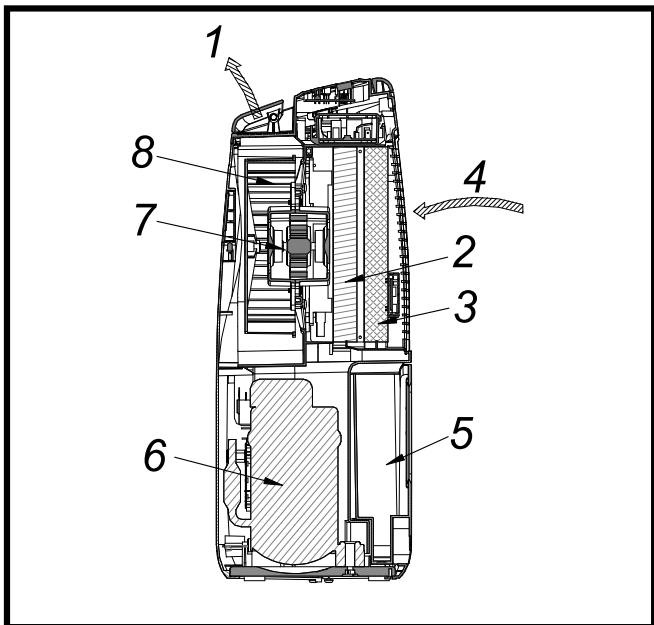
sk

bg

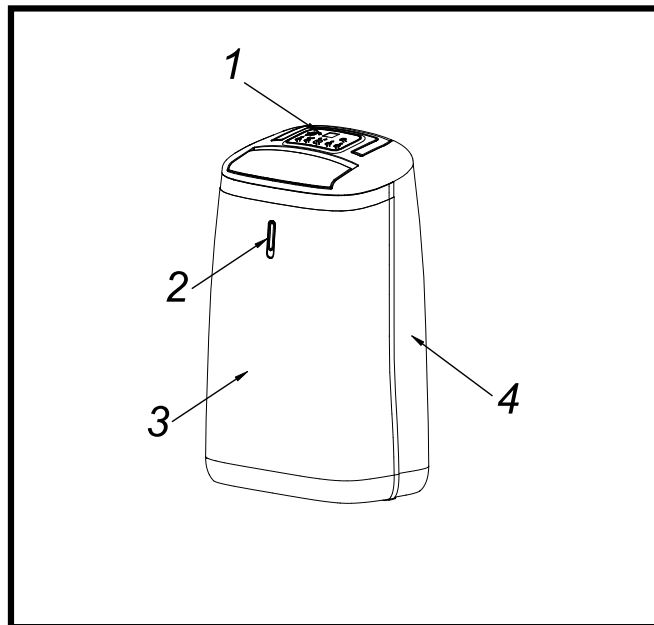
gr

zh

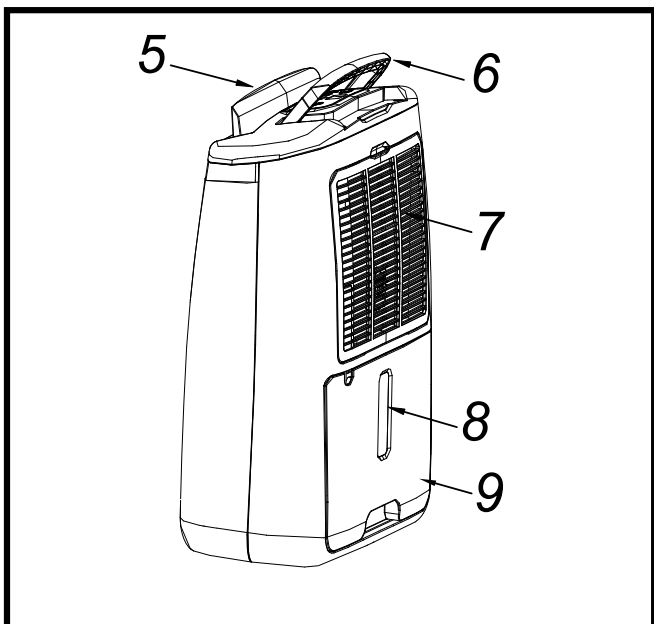
en  
it  
de  
es  
fr  
nl  
pt  
da  
fi  
no  
se  
pl  
ru  
cs  
hu  
sl  
tr  
hr  
lt  
lv  
et  
ro  
sk  
bg  
gr  
zh



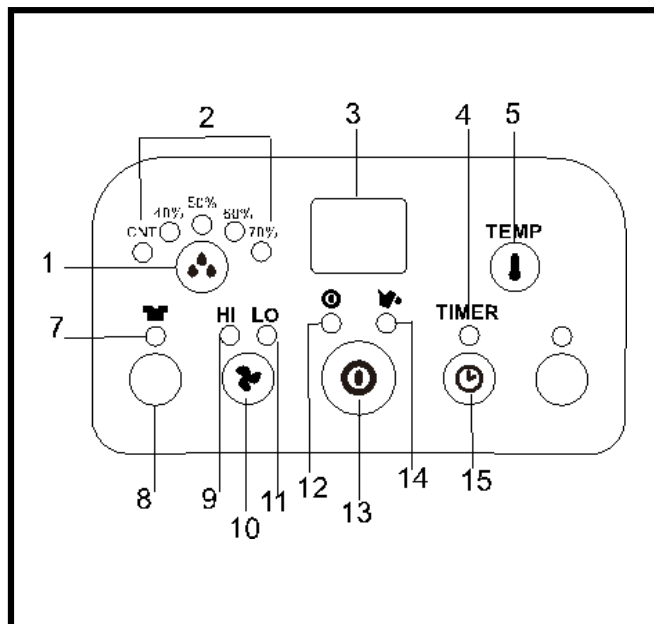
**Fig. 1**



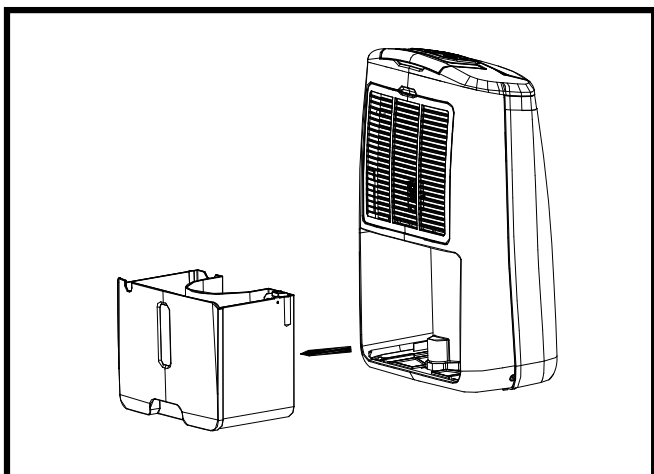
**Fig. 2**



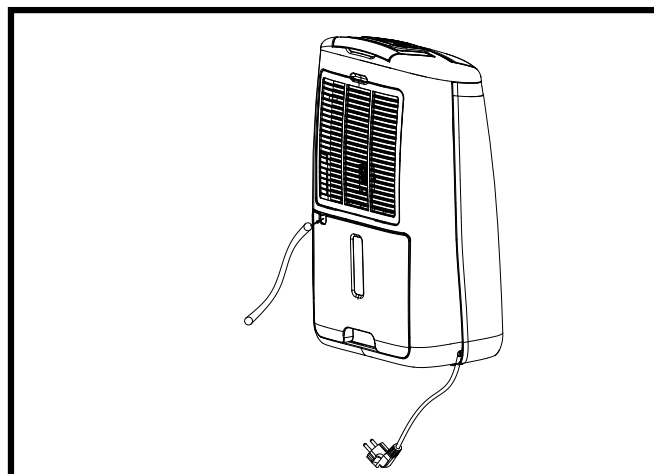
**Fig. 3**



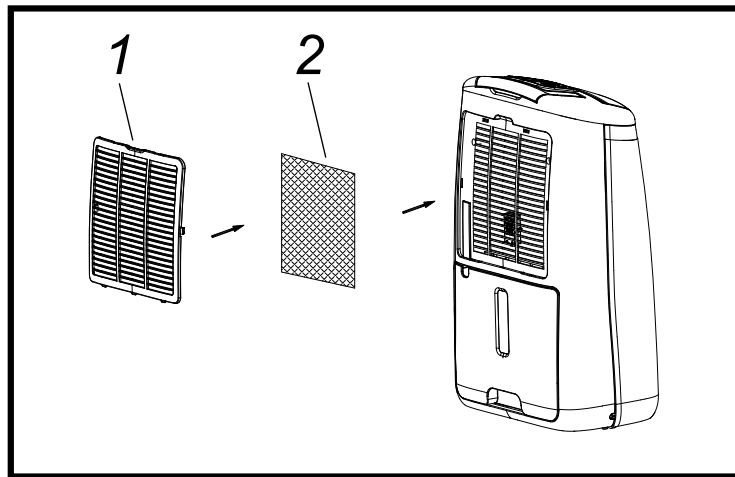
**Fig. 4**



**Fig. 5**



**Fig. 6**



**Fig. 7**

en

it

de

es

fr

nl

pt

dk

fi

no

se

pl

ru

sc

hu

sl

tr

hr

lt

lv

et

ro

sk

bg

gr

zh

# CONTENTS

1...	<b>HOW IT WORKS</b>
2...	<b>WHERE TO POSITION</b>
3...	<b>BEFORE USE</b>
4...	<b>PARTS</b>
5...	<b>OPERATION</b>
6...	<b>DRAINAGE</b>
7...	<b>MAINTENANCE</b>
8...	<b>TROUBLE SHOOTING</b>

**PLEASE TAKE TIME TO READ THIS MANUAL CAREFULLY BEFORE USE AND SAVE IT FOR FUTURE REFERENCE.**

## ▶▶ 1. HOW IT WORKS

This product is a dehumidifier. It controls relative humidity by passing the air through the unit, forcing the excess moisture to condensate over the cooling elements. Contact with this cold surface causes the moisture in the air to condense. This condensed water then drains safely into the water tank. The dried air then passes through the condenser where it is slightly warmed and re-enters the room at a slightly elevated temperature.

### ▶ FIG. 1

1. Dry warmer air
2. Condenser (warmed coil)
3. Evaporator (cold refrigerated coil)
4. Moist saturated air
5. Water tank
6. Compressor
7. Motor
8. Fan rotor

## ▶▶ 2. WHERE TO POSITION

Excess moisture will travel throughout your home, in the same way that cooking smells waft to every room in the house. For this reason, the dehumidifier should be positioned, so that it can draw this moist air towards it from all over the home.

Alternatively, if you have a serious problem in one area you can begin by positioning the dehumidifier close to this area and later moving it to a more central point.

When positioning the dehumidifier, ensure that it is placed on a level surface and that there is a minimum of 10 cm (4") of space on either side of the unit to allow for efficient airflow.

This dehumidifier is fitted with castors for extra mobility, if you move the unit, it should first be switched off and the water tank emptied.

We do not recommend the use of an extension lead, so please try to ensure that the unit is sufficiently close to a fixed mains socket. If it is necessary to use an extension lead, please ensure the diameter of the wires of the cable is at least 1 mm<sup>2</sup>.

When the dehumidifier is in operation, outside doors and windows should be closed when necessary for most efficient use .

## ▶▶ 3. BEFORE USE CAUTION!



These symbols on your device mean:

- ▶ This appliance is filled with Propane gas R290. Follow strictly the manufacturer's instruction concerning use and repairs!
- ▶ Before using the machine, read carefully the entire instruction manual.
- ▶ Do not install, operate or store the device in a room smaller than 4m<sup>2</sup>.

## GENERAL CAUTIONS

- ▶ FOR INDOOR USE ONLY.
- ▶ Do not use in cabinet, closet, boats, caravans or similar locations.
- ▶ Do not use the unit in swimming pools, washrooms or similar wet areas.
- ▶ Leave the unit to stand for 12hours before connecting to the mains supply after transport or when it has been tilted (ex. During cleaning).
- ▶ Only use the unit in the upright position on a flat level surface (even during transport!) and at least 50cm from any objects.
- ▶ Do not use the unit in a potentially explosive environment containing combustible liquids, gases or dusts.
- ▶ Do not use the appliance in the vicinity of flammable or explosive substances or fuels. Never use any paint, cleaning sprays, anti-insect sprays or similar near the unit; this could deform the plastic or cause electrical damage.
- ▶ Ensure that there is at least 50cm between the sides of the appliance and any flammable, heating materials.
- ▶ Do not place objects on the unit or restrict air inlet/outlet.
- ▶ Avoid the unit from splash.
- ▶ Closely supervise any children and pets when the unit is in use.
- ▶ CHILDREN SHALL NOT PLAY WITH APPLIANCE.
- ▶ Cleaning and user maintenance shall not be made by children without supervision.
- ▶ Switch off and unplug the unit when not in use.
- ▶ Never leave a functioning device unsupervised.
- ▶ Do not pull the unit along by the cord.

- ▶ Avoid over-twisting, -coiling, -pulling the power cord, never use nylon or iron wire to tide the power cord.
- ▶ Make sure that the plug and socket remain visible and accessible at all the time.
- ▶ Do not use extension cords.
- ▶ Never reach to retrieve the unit if it has fallen in water. In such case, immediately pull the plug. Have the unit checked before using it again.
- ▶ The appliance shall be installed in accordance with national wiring regulations.
- ▶ Do not exceed the recommended room size for max. efficiency.
- ▶ Close the doors and windows.
- ▶ Keep curtains or blinds closed during the sunniest hours of the day.
- ▶ Keep filters clean.
- ▶ Once room has reached the desired conditions, reduce the setting for temperature and ventilation.
- ▶ Do not turn on the appliance if you have discovered damage to the appliance, cord or plug, if the appliance is malfunctioning or if there are signs of any other defect. Return the complete product to the vendor or to a certified electrician for inspection and/or repair. Always ask for original parts. The appliance (incl. cord and plug) may only be opened and/or repaired by properly authorized and qualified persons.
- ▶ Suggest to send the unit for professional maintenance periodically.
- ▶ **ONLY A LICENSED PROFESSIONAL IS ALLOWED TO DISMANTLE OR MODIFY THE APPLIANCE.**
- ▶ **THE MACHINE IS TO BE USED ONLY FOR ITS PRESCRIBED PURPOSE. ANY OTHER USE IS DEEMED TO BE A CASE OF MISUSE. THE USER/OPERATOR, NOT THE MANUFACTUER WILL BE LIABLE FOR ANY DAMAGE OR INJURIES OF ANY KIND CAUSED AS A RESULT OF THIS.**
- ▶ Always keep the unit in vertical position.
- ▶ Keep all foreign objects away from the air intake or output openings.
- ▶ The mains supply must conform to the specification shown on the rating plate at the back of the unit.
- ▶ If the supply cord is damaged, it must be replaced by an approved service representative or a similar qualified person in order to avoid a hazard.
- ▶ Never use the plug to start and stop the unit. Always use switch on the control panel.
- ▶ Before moving the unit, first switch off, then unplug and empty the water tank.
- ▶ Don't use bug sprays or other flammable cleaners on the unit.
- ▶ Never pour or spray water over the unit.
- ▶ **THIS APPLIANCE IS NOT INTENDED FOR USE BY PERSONS (INCLUDING CHILDREN) WITH REDUCED PHYSICAL, SENSORY OR MENTAL CAPABILITIES, OR LACK OF EXPERIENCE AND KNOWLEDGE, UNLESS THEY HAVE BEEN GIVEN SUPERVISION OR INSTRUCTION CONCERNING USE OF THE APPLIANCE BY A PERSON RESPONSIBLE FOR THEIR SAFETY. CHILDREN SHOULD BE SUPERVISED TO ENSURE THAT THEY DO NOT PLAY WITH APPLIANCE.**
- ▶▶ **SAFETY RELATING TO REFRIGERANT R290:**
- ▶ Read these warnings carefully.
- ▶ This appliance contains the refrigerant R290.

is a refrigerant that complies with the relevant European Directives. Never perforate the refrigerant circuit. R290 is flammable (GWP3)!

- ▶ Do not use means to accelerate the defrosting process or to clean, other than those recommended by the manufacturer.
- ▶ The appliance shall be stored in a room without continuously operating ignition sources (for example: open flames, an operating gas appliance or an operating electric heater).
- ▶ Do not pierce or burn any of the components of the cooling circuit of the unit. Do not set light to the unit.
- ▶ The appliance shall be stored so as to prevent mechanical damage from occurring.
- ▶ Appliance should be installed, operated and stored in a room with a floor area larger than 4m<sup>2</sup>.
- ▶ Be aware that the refrigerants may not contain an odour, which means you cannot smell leaks.
- ▶ Compliance with national gas regulations shall be observed.
- ▶ Keep ventilation openings clear of obstruction.
- ▶ A warning that the appliance shall be stored in a well-ventilated area where the room size corresponds to the room area as specified for operation.
- ▶ Any person who is involved with working on or breaking into a refrigerant circuit should hold a current valid certificate from an industry-accredited assessment authority, which authorizes their competence to handle refrigerants safely in accordance with an industry recognized assessment specification.
- ▶ Servicing shall only be performed on the grounds as recommended by the equipment manufacturer. Maintenance and repair requiring the assistance of other skilled personnel shall be carried out under the supervision of the person competent in the use of flammable refrigerants.

### **IMPORTANT!**

Do not use this unit at ambient temperatures below 5°C, to prevent the possibility of a heavily ice up evaporating coil.

### ▶▶ **4. PARTS**

- ▶ Front FIG. 2
- 1. Control panel
- 2. Ambient light
- 3. Front plate
- 4. Rear plate
- ▶ Rear FIG. 3
- 5. Wind flap
- 6. Handle
- 7. Air inlet / Filters
- 8. Water level window
- 9. Water tank

### ▶▶ **5. OPERATION**

- ▶ Control panel FIG. 4
- 1. Humidity setting button
- 2. Working mode indicator (continuous working, humidity 40%, 50%, 60%, 70%)
- 3. Humidity/Temperature display
- 4. Timer operation indicator
- 5. Temperature display button
- 7. DRYER indicator
- 8. DRYER button
- 9. High ventilation indicator
- 10. Speed/Ventilation button

11. Low ventilation indicator
12. Power indicator
13. ON/OFF (power) button
14. "Full Water" indicator
15. TIMER button

Please note, the indicator in the front plate will light on in 3 different colors to reflect the ambient humidity level. By this, the user can understand immediately what the ambient humidity condition is:

- Blue light – room humidity > 70%
- Green light – room humidity 50~70%
- Red light – room humidity < 50%
- Red light flash – water full alarm

#### Operation

1. Plug the unit into a correct mains socket. (Please refer to the rating label at the rear of the unit for correct voltage/frequency.)
2. Press ON/OFF button to turn on the unit. The compressor will start to work.
3. Press humidity setting button to set the working model you need: continuous working, humidity 40%, 50%, 60% or 70%. The relative indicator will light on.
4. Press speed/ventilation button to set the ventilation speed, high or low. The relative indicator will light on.
5. Press the TIMER button to set the operating hour you need (1~24 hours). The display window will show the hour(s) you set as you press the TIMER button, after releasing it for 8 seconds around, the display window will return to the room humidity. As the set time has been reached, the compressor will stop working automatically.
6. By pressing the "TEMP" button, the display window will show the room temperature, after releasing the button for 8 seconds around, the display window will return to the room humidity.
7. DRYER function is turbo ventilation to dry the moisture in the air continuously, so it could help to dry the laundry.
8. To turn off the unit, press ON/OFF button again.
9. Pre-setting function By pressing TIMER button but without turning on the other functions (including ON/OFF button), you can PRE-SET the time for the machine to work. For example, if you press the timer to '2', the unit will work automatically after 2 hours

#### ▶▶ 6. DRAINAGE

While the water tank is full, the compressor will stop for self-protection and the water full indicator will turn into red. To move the water tank, pull it out squarely from the unit. After emptying the water tank, place the water tank into space. Make sure it is properly positioned, in order for the 'water full' sign to go out and your dehumidifier is operating. Please note, in case, the water tank has not been positioned well, the water full indicator will turn into red.

#### ▶▶ CONTINUOUS DRAINAGE

When the dehumidifier is operated at very high humidity levels, the water tank will require more frequent drainage. In this situation, it may be more convenient to set the unit up for continuous drainage with the following procedures:

1. Pull out the water tank (FIG. 5).
2. Connect the drain hole with water tube of inner diame-

ter: 11 mm. The water tube is not supplied with the unit (FIG. 6).

3. Ensure the water will always drain away freely and the tube will remain in right place. Note! In very cold weather conditions, precautions should be taken to prevent the water tube from freezing.

4. Put the water tank back to its position.

#### ▶▶ 7. MAINTENANCE

Always unplug the unit from the mains before carrying out any maintenance or cleaning of the unit.

#### CLEANING THE BODY

Use soft cloth to wipe the unit clean.

Don't ever use volatile chemicals, gasoline, detergents, chemically treated clothes, or other cleansing solutions. These all could possibly hurt the cabinet.

#### CLEANING THE FILTER

This dehumidifier is equipped with 2 filters (FIG. 7):

##### 1. ANTI-DUST FILTER

Extract the filter holder, remove the active carbon filter. Use a vacuum cleaner or tap the filter lightly for easy cleaning. If the filter is particularly dirty, use warm water with a small amount of a small amount of medium strength detergent.

Make sure the filter is completely dry before replacing.

Do not expose the filter to sunlight.

##### 2. ACTIVE CARBON FILTER (for capturing the particles of dust suspended in the air and preventing the production of bacteria.)

The active carbon filter placed under the anti-dust filter is not washable. Its life span is variable and depends on the ambient conditions where the unit is used. The filter should be checked periodically and replaced if necessary.

#### STORAGE

If not use the unit for an extended period of time. Please: Turing the unit off, unplug and tidy AC cord.

- ▶ Completely empty the water tank and wipe it clean.
- ▶ Cover the unit and store where it will not receive direct sunlight.

#### ▶▶ 8. TROUBLE SHOOTING

##### THE UNIT DOES NOT OPERATE:

- ▶ Is the unit plugged in?
- ▶ Is the house electricity on?
- ▶ Is the room temperature below 5°C or above 35°C? If so, then it is out of the working range of the unit.
- ▶ Ensure the humidistat (or ON/OFF switch) is turned on.
- ▶ Check the water tank is positioned properly in the unit and it is not full.
- ▶ Make sure the air inlet and outlet are not obstructed.

##### THE UNIT SEEMS TO DO NOTHING:

- ▶ Is the filter dusty, contaminated ?
- ▶ Is the air intake or outlet blocked up?
- ▶ Is the room humidity already quite low?

**THE UNIT SEEMS TO DO LITTLE:**

- ▶ Are too many windows or doors open?
- ▶ Is there something in the room producing lots of humidity?

**THE UNIT IS TOO NOISY:**

- ▶ Check whether the unit is sitting on a level surface.

**THE UNIT IS LEAKING:**

- ▶ Make sure the unit is in good shape.
- ▶ If you are not using continuous drainage, make sure the rubber plug (at the bottom of the unit) is in its position.

<b>Error codes on display</b>		
<b>Code</b>	<b>Cause</b>	<b>Solution</b>
E1	The room temperature sensor (with resin head) is open or short circuit fault	Checking if the room temperature sensor is plugged in properly on the PCB.
		Replace the room temperature sensor of room temp.
		Replace main PC board.
		The humidity level is below RH40%
E2	The system sensor (with copper head) is open or short circuit fault	Checking if the system sensor is plugged in properly on the PCB.
		Replace the system sensor
		Replace main PC board.
E3	The Temperature Control (TC) sensor wire is loosen or breaks down. The machine will beep for 3 sounds, the E3 code will flash on every one second. The compressor and fan motor will stop.	Pls check and replace it.
E5	When the TC sensor wire senses the temperature is > or = 130oC more than 5 seconds, the E5 code will flash on every second, the machine will beep for 3 sounds. The compressor and fan motor stop.	When it happens, pls press ON/OFF button on and off again to check if E5 signal still exists, if yes, that means the compressor system is abnormal. Pls check it and get rid of the mal-function.



## INDICE

it

1...	<b>FUNZIONAMENTO</b>
2...	<b>UBICAZIONE</b>
3...	<b>CONSIGLI PRIMA DELL'USO DELL'IMPIANTO</b>
4...	<b>PARTI</b>
5...	<b>SERVIZIO</b>
6...	<b>USCITA DELL'ACQUA</b>
7...	<b>MANUTENZIONE E CONSERVAZIONE</b>
8...	<b>RIVELAZIONE DEI DIFETTI</b>

**PRIMA DI USARE L'IMPIANTO BISOGNA LEGGERE ATTENTAMENTE L'ISTRUZIONE DI USO E CONSERVARLA PER POTER CONSULTARLA IN FUTURO.**

### ►► 1. FUNZIONAMENTO

L'impianto serve alla deumidificazione dell'aria. Controlla l'umidità relativa lasciando passare l'aria per l'impianto, conducendo alla condensazione dell'eccesso di umidità sugli elementi refrigeranti. Il contatto con la superficie fredda provoca la condensazione dell'umidità nell'aria. Poi l'acqua condensata è trascinata nel contenitore dell'acqua. Poi, l'aria secca passa per il condensatore dove viene un po' riscaldata, e poi introdotta di nuovo nel locale, ma la sua temperatura è adesso un po' aumentata.

#### ► FIG. 1

1. uscita l'aria secca,
2. condensatore,
3. evaporatore,
4. entrata l'aria umida,
5. contenitore acqua,
6. compressore
7. motore
8. rotore del ventilatore

### ►► 2. UBICAZIONE

L'eccesso di umidità andrà in tutta la casa, nello stesso modo che si diffonde l'odore durante la cottura. Per questo, il deumidificatore deve avere il posto giusto per poter raccogliere l'aria umida di tutta la casa.

Eventualmente se in un posto scopriamo il problema possiamo mettere il deumidificatore nella sua vicinanza, e poi spostarlo nel punto centrale.

Posizionando il deumidificatore, bisogna assicurarsi che si trovi sul posto piatto e che da ogni parte dell'impianto ci sono 10 cm (4") di spazio libero per garantire il flusso libero dell'aria.

Il deumidificatore è dotato di ruote autoallineanti per garantire la mobilità migliore. Durante lo spostamento, l'impianto deve essere spento, e il contenitore dell'acqua svuotato.

Non consigliamo di usare la prolunga, quindi bisogna assicurarsi che l'impianto si trovi abbastanza vicino alla presa di corrente. Quando l'uso della prolunga è inevitabile, bisogna assicurarsi che il diametro dei fili del cavo è di almeno 1 mm<sup>2</sup>.

Durante la deumidificazione, tutte le finestre e le porte devono essere chiuse, per garantire il massimo rendimento dell'impianto.

### ►► 3. CONSIGLI PRIMA DELL'USO DELL'IMPIANTO ATTENZIONE:



I simboli collocati sull'apparecchiatura hanno il seguente significato:

- Dispositivo riempito con propano R290. Rispettare sempre le indicazioni del fabbricante in merito all'uso e alle riparazioni dell'apparecchiatura!
- Prima di avviare l'apparecchiatura, leggere attentamente le istruzioni per l'uso.
- Non installare, utilizzare né conservare l'apparecchiatura in un locale caratterizzato da una superficie inferiore a 4m<sup>2</sup>.

### PRINCIPI DI SICUREZZA GENERALI

- SOLTANTO PER USO IN AMBIENTI CHIUSI.
- Non utilizzare il dispositivo in cucine a incasso, armadi, su imbarcazioni, a bordo di camper o in altri spazi chiusi analoghi.
- Non usare il dispositivo in prossimità di piscine, bagni o altri locali umidi.
- Attendere 12 ore prima di collegare il dispositivo all'alimentazione dopo il trasporto o in caso di inclinazione (ad es. durante le operazioni di pulizia).
- Collocare il dispositivo in posizione verticale, su una superficie piana (anche durante il trasporto!), a una distanza di almeno 50 cm dagli altri oggetti.
- Non usare il dispositivo in atmosfere potenzialmente esplosive, contenenti liquidi infiammabili, gas o polveri.
- Non usare il dispositivo in prossimità di sostanze infiammabili o esplosive, né in prossimità di combustibili. Non nebulizzare, nelle vicinanze del dispositivo, vernici, prodotti detergenti, insetticidi né altri prodotti analoghi, poiché ciò potrà comportare la deformazione degli elementi in plastica o il danneggiamento dell'impianto elettrico.
- Lasciare almeno 50 cm di spazio libero tra i lati dell'apparecchiatura e i materiali infiammabili, soggetti a riscaldamento.
- Non collocare oggetti sull'apparecchiatura né ostruire l'ingresso e l'uscita dell'aria.

- ▶ Proteggere il dispositivo dagli schizzi.
- ▶ Sorvegliare i bambini e gli animali domestici qualora si trovino nei pressi del dispositivo in funzione.
- ▶ **NON PERMETTERE AI BAMBINI DI GIOCARE CON IL DISPOSITIVO.**
- ▶ I bambini non potranno occuparsi della pulizia né della manutenzione del dispositivo senza la supervisione di un adulto.
- ▶ Spegnerlo il dispositivo e staccarlo dall'alimentazione quando non viene utilizzato.
- ▶ Non lasciare il dispositivo in funzione senza supervisione.
- ▶ Non tirare il dispositivo per mezzo del cavo di alimentazione.
- ▶ Evitare la torsione eccessiva, l'avvolgimento e la trazione del cavo di alimentazione. Non legare il cavo con filo di nylon o di acciaio.
- ▶ Fare attenzione affinché la spina e la presa si trovino in un luogo visibile e facilmente accessibile.
- ▶ Non usare prolunghe.
- ▶ Non toccare l'apparecchiatura qualora sia caduta in acqua. In questo caso, per prima cosa, occorrerà staccare il cavo di alimentazione. Prima di riutilizzare il dispositivo, controllare il suo stato.
- ▶ L'apparecchiatura dovrà essere collegata in conformità con le leggi nazionali e con le norme elettriche.
- ▶ Non superare le dimensioni massime indicate del locale per il massimo rendimento del dispositivo.
- ▶ Chiudere porte e finestre.
- ▶ In caso di forte insolazione, tirare le tende o abbassare gli avvolgibili.
- ▶ Fare attenzione alla pulizia dei filtri.
- ▶ Quando le condizioni del locale raggiungeranno il livello finale, ridurre le impostazioni della temperatura e dell'intensità della ventilazione.
- ▶ Non avviare il dispositivo qualora il dispositivo stesso, il cavo di alimentazione o la presa siano danneggiati, il dispositivo funzioni in modo non conforme o vi siano sintomi di altri problemi. Trasmettere il dispositivo completo al rivenditore o a un elettricista in possesso di qualifiche adeguate ai fini del controllo e/o della riparazione. Usare solo i pezzi di ricambio originali. L'apparecchiatura (compresi il cavo di alimentazione e la spina) potranno essere smontati e/o riparati esclusivamente da personale autorizzato e adeguatamente qualificato.
- ▶ Si consiglia l'esecuzione periodica della revisione di controllo del dispositivo.
- ▶ **L'APPARECCHIATURA POTRÀ ESSERE SMONTATA O MODIFICATA UNICAMENTE DA UN MANUTENTORE QUALIFICATO.**
- ▶ **L'APPARECCHIATURA PUÒ ESSERE UTILIZZATA SOLO IN MODO CONFORME ALLA DESTINAZIONE. L'USO CON ALTRE FINALITÀ SARÀ TRATTATO COME UN USO NON CONFORME. IN CASO DI DANNI O LESIONI DOVUTE A TALE PROCEDIMENTO, IL SOGGETTO RITENUTO RESPONSABILE SARÀ L'UTENTE E NON IL FABBRICANTE DEL DISPOSITIVO.**
- ▶ Impianto deve trovarsi in posizione verticale.
- ▶ Tenere lontano da tutti i fori di entrata ed uscita dell'aria, ogni corpo estraneo.
- ▶ Alimentazione elettrica deve essere conforme alla specificazione dal targhetto dati dell'impianto.
- ▶ Se il cavo di alimentazione è rotto, deve essere subito sostituito dal personale autorizzato, per evitare il pericolo.

- ▶ Non si deve usare la spina elettrica per accendere o spegnere l'impianto. Bisogna sempre usare il pulsante sul pannello comando.
- ▶ Prima di spostare l'impianto si deve spegnerlo, e poi svuotare il contenitore dell'acqua.
- ▶ Non usare l'aerosolo insetticida oppure altri detergenti infiammabili.
- ▶ È vietato di spruzzare o bagnare l'impianto
- ▶ **IL PRESENTE DISPOSITIVO NON È DESTINATO ALL'UTILIZZO DA PARTE DELLE PERSONE (COMPRESI BAMBINI), CON CAPACITÀ FISICHE, SENSORIALI O MENTALI LIMITATE, OPPURE DA PERSONE INESPERTE, SENZA UN CORSO DI FORMAZIONE DA PARTE DI UNA PERSONA RESPONSABILE DELLA LORO SICUREZZA. SI PREGA DI FARE ATTENZIONE A NON FAR GIOCARE I BAMBINI CON IL DISPOSITIVO.**

### **▶▶ NORME DI SICUREZZA RELATIVE ALL'AGENTE REFRIGERANTE R290:**

- ▶ Leggere attentamente le seguenti avvertenze.
- ▶ L'apparecchiatura contiene l'agente refrigerante R290. L'agente refrigerante R290 è conforme alle Direttive vigenti dell'Unione Europea. Non forare l'impianto di raffreddamento. L'agente refrigerante R290 è una sostanza facilmente infiammabile (GWP3)!
- ▶ Non usare dispositivi né agenti per l'accelerazione dello sbrinamento o per la pulizia diversi da quelli consigliati dal fabbricante.
- ▶ Conservare il dispositivo in un ambiente chiuso, privo di fonti di ignizione fisse (ad es. fiamme libere, dispositivi a gas in funzione, resistenze elettriche in funzione).
- ▶ Non forare né scaldare gli elementi dell'impianto refrigerante dell'apparecchiatura. Non dirigere la luce direttamente sul dispositivo.
- ▶ Conservare il dispositivo in modo tale che non subisca danneggiamenti meccanici.
- ▶ L'apparecchiatura dovrà essere installata, utilizzata e conservata in un locale caratterizzato da una superficie del pavimento superiore a 4m<sup>2</sup>.
- ▶ L'agente refrigerante può essere inodore. Ciò rende più difficile l'individuazione di eventuali perdite.
- ▶ Rispettare le norme e le leggi nazionali relative ai combustibili gassosi.
- ▶ Non ostruire i fori di ventilazione.
- ▶ Conservare il dispositivo in un locale ben ventilato, caratterizzato da dimensioni adeguate alla specifica tecnica del prodotto.
- ▶ Ogni soggetto impegnato nell'uso o nella riparazione dell'impianto refrigerante dovrà essere in possesso di un valido certificato rilasciato da un'entità tecnica competente, a conferma delle competenze di tale soggetto nel campo dell'uso sicuro degli agenti refrigeranti, nel rispetto delle norme e delle leggi vigenti.
- ▶ Le operazioni di servizio andranno eseguite unicamente nel rispetto delle indicazioni del fabbricante dell'apparecchiatura. Le attività di uso e riparazioni che richiedono la presenza di personale di servizio qualificato andranno eseguite sotto la supervisione di un soggetto con competenze adeguate nell'ambito dell'uso degli agenti refrigeranti infiammabili.

### **AVVERTENZE !**

Non usare l'impianto nella temperatura ambientale inferiore a 5°C, per evitare il gelo dell'evaporatore.

## ►► 4. PARTI

### ► Fronte FIG. 2

1. Quadro dei comandi
2. Illuminazione
3. Piastra anteriore
4. Piastra posteriore

### ► Didietro FIG. 3

5. Aletta di ventilazione
6. Mandrino
7. entrata d'aria / filtri
8. Finestra livello acqua
9. Contenitore dell'acqua

## ►► 5. SERVIZIO

### ► Pannello di comando FIG. 4

1. Pulsante di impostazione dell'umidità
2. Indicatore della modalità di lavoro (continuo, umidità del 40%, 50%, 60%, 70%)
3. Visualizzatore della temperatura/umidità
4. Indicatore dell'orologio
5. Pulsante della visualizzazione della temperatura
7. Indicatore DEUMIDIFICATORE
8. Pulsante DEUMIDIFICATORE
9. Indicatore della ventilazione ad alta velocità
10. Pulsante di velocità/ventilazione
11. Indicatore della ventilazione a bassa velocità
12. Indicatore dell'alimentazione
13. Pulsante ON/OFF (alimentazione)
14. Indicatore del "Riempimento dell'acqua"
15. Pulsante dell'OROLOGIO

La spia sul pannello anteriore del dispositivo si illumina in 3 colori diversi a seconda del livello di umidità dell'aria. Ciò permette all'utente di definire rapidamente l'umidità dell'aria nel locale:

Luce blu – umidità del locale > 70%

Luce verde - umidità del locale 50~70%

Luce rossa - umidità del locale < 50%

Luca rossa lampeggiante – allarme del riempimento dell'acqua

### ► Servizio

1. Collegare il dispositivo all'apposita presa elettrica (Controllare il valore della tensione/frequenza sulla targhetta dati del dispositivo).
2. Premere il pulsante ON/OFF per avviare il dispositivo. Il compressore viene attivato.
3. Premere il pulsante dell'impostazione dell'umidità per selezionare la modalità di lavoro: fisso, livello d'umidità del 40%, 50%, 60% o del 70%. Si accende un indicatore relativo per un dato valore
4. Premere il pulsante della velocità/ventilazione per impostare la ventilazione ad alta o bassa velocità. Si accende un indicatore relativo per un dato valore
5. Premere il pulsante OROLOGIO, per impostare il tempo di lavoro desiderato (1~24 ore). Dopo aver premuto il pulsante OROLOGIO, il visualizzatore indicherà il tempo attualmente impostato, liberando il pulsante dopo 8 secondi il visualizzatore ritorna ad indicare l'umidità del locale. Dopo che è passato il tempo impostato, il compressore si disattiva automaticamente.
6. Premendo il pulsante „TEMP” viene visualizzata la temperatura attuale del locale, liberandolo, dopo 8 secondi, il

visualizzatore ritorna ad indicare l'umidità del locale.

7. La funzione del DEUMIDIFICATORE attiva la modalità turbo del sistema di ventilazione attivando una continua deumidificazione dell'aria, la funzione permette di asciugare la biancheria lavata.

8. Per disattivare il dispositivo, premere il pulsante ON/OFF.

9. Con la funzione di preattivazione (PRE-SET), tramite il pulsante OROLOGIO è possibile programmare l'orario dell'avvio della macchina senza attivare altre funzioni del dispositivo (compreso il pulsante ON/OFF)/ Per esempio, impostando l'orologio sul '2', il dispositivo si attiverà dopo 2 ore.

## ►► 6. USCITA DELL'ACQUA

Con il serbatoio pieno, il compressore - per motivi di sicurezza - viene disattivato automaticamente e l'indicatore di riempimento dell'acqua si illumina in rosso.

Per rimuovere il serbatoio dell'acqua, estrarlo perpendicolarmente dalla macchina.

Una volta svuotato il serbatoio, rimetterlo al suo posto. Dopo il riposizionamento del serbatoio, la spia del riempimento dell'acqua si spegne e il deumidificatore si avvia. Nel caso in cui il serbatoio venga inserito male, l'indicatore del riempimento rimane illuminato in rosso.

## ►► SCOLLO CONTINUO

Utilizzando il deumidificatore in condizioni di elevata umidità dell'aria, il serbatoio dell'acqua richiederà uno svuotamento più frequente. In tale situazione, più conveniente è impostare l'opzione dello svuotamento continuo del serbatoio, a tale scopo eseguire le seguenti operazioni:

1. Rimuovere il serbatoio dell'acqua (FIG. 4)
2. Collegare il conduttore d'acqua all'uscita del diametro: 11 mm (il condotto non è fornito con il dispositivo) (FIG. 5)
3. Assicurarsi, che il condotto sia fissato bene e l'acqua scorra senza intoppi. Attenzione! Alle temperature molto basse, proteggere il condotto dal congelamento.
4. Posizionare il serbatoio al suo posto (FIG. 6).

## ►► 7. MANUTENZIONE E CONSERVAZIONE

Prima di cominciare la manutenzione o la pulizia bisogna scollegare l'impianto dalla rete elettrica.

### PULIZIA DELLA CARCASSA

Per pulire l'impianto bis ogni volta usare il tessuto morbido. Vietato di usare delle sostanze chimiche volatili, detersivi, benzina, vestiti trattati chimicamente, pure altre soluzioni di pulizia. Ogni sostanza sopra citata può danneggiare la carcassa dell'impianto.

### PULIZIA DEL FILTRO

Questo modello di deumidificatore è dotato di 2 tipi di filtri (FIG. 7):

#### 1. FILTRO ANTIPOLVERE

-staccare il fissaggio del filtro, rimuovere il filtro a carboni attivi.

- Pulire il filtro delicatamente tramite l'aspirapolvere o sciacquandolo al rubinetto. -Se il filtro è molto sporco, usare acqua calda e una piccola quantità di detersivo delicato.

- prima del suo utilizzo, assicurarsi che il filtro sia completamente asciutto

- non esporre il filtro alla luce solare diretta.

2. **FILTRO A CARBONI ATTIVI** (per legare le particelle di polvere sospese nell'aria e per ridurre la proliferazione di batteri).

Il filtro a carboni attivi si trova dietro il filtro antipolvere e contrariamente a quest'ultimo, non è lavabile. La durata del filtro a carboni attivi dipende dalle condizioni dell'ambiente dove viene utilizzato il dispositivo. Il filtro deve essere controllato periodicamente e sostituito, se necessario.

#### **CONSERVAZIONE:**

Se l'impianto non è usato per lungo tempo bisogna spegnerlo. Filo di alimentazione deve esser scollegato e pulito:

- ▶ Svuotare completamente il contenitore acqua ed asciugarlo con cura.
- ▶ Coprire l'impianto per proteggerlo contro i raggi del sole.

### **▶▶ 8. RIVELAZIONE DEI DIFETTI**

#### **IMPIANTO NON FUNZIONA:**

- ▶ Impianto non collegato alla rete elettrica?
  - ▶ Rete elettrica a casa è accesa?
  - ▶ Temperatura ambientale è di 5°C oppure più di 35°C?
- Rispondendo si alle domande, sappiamo che la temperatura è fuori il regime di lavoro dell'impianto.
- ▶ Bisogna assicurarsi se umidostato (oppure commutatore ON/OFF) sia acceso.
  - ▶ Controllare se il contenitore acqua sia posizionato correttamente nell'impianto e se non sia pieno.
  - ▶ Assicurarsi che l'entrata e l'uscita dell'aria non siano bloccate.

#### **IMPIANTO SEMBRA NON LAVORARE:**

- ▶ Filtro è sporco ?
- ▶ Entrata ed uscita sono bloccate?
- ▶ Umidità nel locale non è troppo bassa?

#### **LAVORO DELL'IMPIANTO SEMBRA ESSER INEFFICIENTE:**

- ▶ Troppe porte e finestre aperte?
- ▶ Nel locale funziona l'impianto che genera troppa umidità?

#### **IMPIANTO E TROPPO RUMOROSO:**

- ▶ Controllare se l'impianto sia stabile sulla superficie piana.

#### **IMPIANTO PERDE:**

- ▶ Assicurarsi che stato tecnico dell'impianto sia buono
- ▶ Se lo scollo continuo dell'acqua non è usato, bisogna assicurarsi che il tappo di gomma (parte inferiore dell'impianto) sia ben posizionato.

<b>Codici di errore sul display</b>		
<b>Codice</b>	<b>Causa</b>	<b>Soluzione</b>
E1	Il sensore di temperatura dell'ambiente (con un riparo di resina) è aperto o funziona male per cortocircuito	Controllare che il sensore di temperatura dell'ambiente sia correttamente collegato alla piastra PCB
		Sostituire il sensore di temperatura dell'ambiente.
		Sostituire la piastra PCB principale.
E2	Il sensore del sistema di refrigerazione (con riparo di rame) è aperto o funziona male per cortocircuito	Controllare che il sensore sia correttamente collegato alla piastra PCB
		Sostituire il sensore
		Sostituire la piastra PCB principale.
E3	Il cavo del sensore di comando della temperatura (TC) è allentato o danneggiato. Il dispositivo emetterà un segnale sonoro per 3 secondi, mentre il messaggio E3 lampeggerà ogni secondo. Il compressore e il motore del ventilatore smetteranno di funzionare.	La sonda dovrà essere controllata e sostituita.
E5	Qualora la temperatura letta dal sensore TC sia pari ad almeno 130°C per più di 5 secondi, il dispositivo emetterà un segnale sonoro per 3 secondi, e il messaggio E5 lampeggerà una volta al secondo. Il compressore e il motore del ventilatore smetteranno di funzionare.	In questa situazione sarà necessario spegnere e accendere nuovamente il dispositivo con il tasto ON/OFF per verificare se il messaggio E5 continua a essere visualizzato. Qualora l'errore non sparisca, ciò significa che l'impianto del compressore non funziona correttamente. Tale impianto dovrà essere controllato al fine di eliminare il malfunzionamento.



# BEDIENUNGSANLEITUNG

1...	<b>FUNKTIONSWEISE</b>
2...	<b>PLATZIERUNG</b>
3...	<b>EMPFEHLUNGEN VOR DEM ERSTBETRIEB</b>
4...	<b>TEILE</b>
5...	<b>BEDIENUNG</b>
6...	<b>WASSERABLEITUNG</b>
7...	<b>WARTUNG UND INSTANDHALTUNG</b>
8...	<b>MÄNGELERKENNUNG</b>

**VOR DER ANWENDUNG DIESES GERÄTES SOLL MAN SICH AUSFÜHRlich MIT DER ANLEITUNG BEFASSEN UND SIE DANN AUFBEWAHREN UM SPÄTER NUTZEN ZU KÖNNEN.**

## ►► 1. FUNKTIONSWEISE

Das vorliegende Produkt dient zum Trocknen von Luft. Es überwacht die relative Feuchtigkeit indem es die Luft durch das Gerät verarbeitet und zur Kondensierung des Übermaßes an Feuchtigkeit an den Kälteteilen führt. Die Berührung mit kalter Oberfläche bewirkt, dass sich die Feuchtigkeit in der Luft verflüssigt. Danach wird das Kondenswasser sicher in den Wasserbehälter abgeleitet. Die getrocknete Luft geht durch den Kondensator, in dem sie leicht erwärmt wird und dann wieder in den Raum eingespeist wird, wobei ihre Temperatur ist gering erhöht.

### ► FIG. 1

1. TROCKNE WÄRMERE LUFT,
2. KONDENSATOR,
3. VERDAMPFER – kalte Rohren,
4. MIT FEUCHTIGKEIT GESÄTTIGTE LUFT,
5. WASSERBE-HÄLTER,
6. KOMPRESSOR,
7. MOTOR
8. VENTILATORROTOR

## ►► 2. PLATZIERUNG

Das Übermaß an Feuchtigkeit wird sich im ganzen Haus verteilen auf die selbe Art und Weise wie sich Gerüche während des Kochens im ganzen Raum ausbreiten. Deswegen sollte die Trocknungsanlage so platziert werden, dass er feuchte Luft aus dem ganzen Haus aufnehmen kann.

Es besteht auch die Möglichkeit, dass, wenn an einer Stelle im Haus es zu einem ernsthaften Problem kommt, man die Trocknungsanlage in der Nähe dieser Stelle stellt und danach sie in einen mehr zentralen Punkt verschiebt.

Während die Trocknungsanlage aufgestellt wird, soll man sich vergewissern, dass sie sich auf ebener Fläche befindet und, ob an jeder Seite 10 cm (4") Freiraum vorhanden sind, um einen leistungsfähigen Luftfluss zu ermöglichen. Diese Trocknungsanlage ist mit Rädern ausgestattet, um ihm bessere Bewegungsfreiheit zu garantieren. Wenn das Gerät verschoben werden soll, muss man es vorher ausschalten und den Wasserbehälter entleeren.

Es wird nicht empfohlen einen Verlängerungskabel zu benutzen, im Zusammenhang damit soll man sich vergewissern, ob das Gerät sich ausreichend Nah an einer Steckdose befindet. Wenn die Verwendung eines Verlängerungskabels notwendig sein wird, muss man sich vergewissern, ob der Kabeldurchmesser mindestens 1 mm<sup>2</sup>

beträgt.

Während das Gerät arbeitet, sollten bei Notwendigkeit die Außentüren und Fenster geschlossen bleiben, und die maximale Leistungsfähigkeit des Gerätes zu sichern.

## ►► 3. EMPFEHLUNGEN VOR DEM ERSTBETRIEB ACHTUNG!



► Die auf dem Gerät angegebenen Zeichen haben folgende Bedeutung:

► Das Gerät ist mit R290-Propan gefüllt. Beachten Sie unbedingt die Betriebs- und Reparaturanleitung des Herstellers!

► Lesen Sie die Bedienungsanleitung sorgfältig durch, bevor Sie das Gerät in Betrieb nehmen.

► Installieren, verwenden oder lagern Sie das Gerät nicht in einem Raum, der kleiner als 4 qm ist.

## ALLGEMEINE SICHERHEITSREGELN

► NUR ZUR VERWENDUNG IN INNENRÄUMEN.

► Es ist verboten, das Gerät in Kücheneinbaumöbeln, in einem Schrank, auf Booten, in Wohnwagen oder in ähnlichen geschlossenen Räumen zu verwenden.

► Es ist verboten, das Gerät in der Nähe von Schwimmbecken, in Waschräumen sowie anderen feuchten Räumen zu verwenden.

► Bevor das Gerät nach dem Transport oder nachdem es (z.B. bei der Reinigung) gekippt wurde an die Stromversorgung angeschlossen wird, muss man 12 Stunden abwarten.

► Das Gerät ist auf einer ebenen Fläche (auch beim Transport!) aufrecht und mindestens 50 cm von anderen Gegenständen entfernt aufzustellen.

► Das Gerät darf nicht in einer explosionsgefährdeten Atmosphäre mit brennbaren Flüssigkeiten, Gasen oder Stäuben verwendet werden.

► Das Gerät darf nicht in der Nähe von brennbaren oder explosiven Substanzen oder Brennstoffen verwendet werden. Keine Farben, Reinigungsmittel, Insektizide oder ähnliche Produkte in der Nähe des Gerätes versprühen, da dies zu einer Verformung der Kunststoffteile oder zu Schä-

den an der elektrischen Installation führen kann.

- ▶ Zwischen den Geräteseiten und brennbaren, erwärmenden Materialien mindestens 50 cm Freiraum lassen.
- ▶ Keine Gegenstände auf das Gerät legen sowie den Luftein- und -auslass nicht abdecken.
- ▶ Das Gerät vor Spritzern schützen.
- ▶ Kinder und Haustiere, die sich in der Nähe des in Betrieb befindlichen Geräts aufhalten, müssen beaufsichtigt werden.
- ▶ **KINDERN IST ES NICHT ERLAUBT, MIT DEM GERÄT ZU SPIELEN.**
- ▶ Kinder dürfen das Gerät ohne Aufsicht von Erwachsenen weder reinigen noch warten.
- ▶ Das Gerät ausschalten und den Netzstecker herausziehen, wenn es nicht benutzt wird.
- ▶ Das Gerät darf nicht unbeaufsichtigt betrieben werden.
- ▶ Das Gerät nicht am Versorgungskabel ziehen.
- ▶ Übermäßiges Verdrehen, Aufwickeln und Ziehen des Netzkabels sowie das Zusammenbinden mit Nylon- oder Stahldraht vermeiden.
- ▶ Sicherstellen, dass Stecker und Steckdose an einer gut sichtbaren und leicht zugänglichen Stelle platziert sind.
- ▶ Keine Verlängerungskabel verwenden.
- ▶ Nach dem Gerät nicht greifen, wenn es ins Wasser gefallen ist. In einem solchen Fall muss das Netzkabel sofort herausgezogen werden. Den Zustand des Geräts vor erneuter Verwendung überprüfen.
- ▶ Das Gerät ist in Übereinstimmung mit den nationalen elektrischen Vorschriften und Normen anzuschließen.
- ▶ Die empfohlene Raumgröße überschreiten, um maximale Leistung zu gewährleisten.
- ▶ Fenster und Türen schließen.
- ▶ Bei übermäßiger Sonneneinstrahlung die Vorhänge zuziehen oder Jalousien herunterlassen.
- ▶ Filter sauber halten.
- ▶ Wenn die Raumbedingungen das Zielniveau erreichen, die Temperatur und Luftgebläseeinstellung reduzieren.
- ▶ Es ist verboten, das Gerät in Betrieb zu nehmen, wenn es sowie das Netzkabel oder der Stecker beschädigt sind, das Gerät nicht richtig funktioniert oder es Anzeichen für eine andere Fehlfunktion gibt. Das komplette Gerät zur Inspektion und/oder Reparatur an einen qualifizierten Händler oder Elektriker übergeben. Ausschließlich originale Ersatzteile verwenden. Das Gerät (einschließlich Netzkabel und Stecker) darf nur von autorisierten und entsprechend qualifizierten Personen demontiert und/oder repariert werden.
- ▶ Es wird empfohlen, das Gerät in regelmäßigen Abständen zu warten.
- ▶ **DAS GERÄT DARF NUR VON EINEM ZERTIFIZIERTEN SERVICETECHNIKER DEMONTIERT ODER MODIFIZIERT WERDEN.**
- ▶ **DAS GERÄT DARF NUR BESTIMMUNGSGEMÄSS VERWENDET WERDEN. DIE VERWENDUNG ZU EINEN ANDEREN ZWECK GILT ALS NICHT BESTIMMUNGSGEMÄSS. JEGLICHE SCHÄDEN ODER VERLETZUNGEN, DIE SICH AUS EINEM SOLCHEN VERHALTEN ERGEBEN, LIEGEN IN DER VERANTWORTUNG DES BENUTZERS, NICHT DES GERÄTEHERSTELLERS.**
- ▶ Das Gerät muss immer in vertikaler Stellung aufgestellt sein.
- ▶ Alle Fremdkörper solle weit von den Ein- und Ausgangsöffnungen aufbewahrt werden.

▶ Die Stromversorgung muss mit der Nenntafel übereinstimmen, die sich auf der Rückseite des Gerätes befindet.

▶ Wenn der Versorgungskabel beschädigt ist, muss er vom autorisierten Fachhändler unserer Serviceabteilung oder einer Person, die über entsprechende Befugnisse verfügt, ausgetauscht werden, damit es zu keine Gefahr kommt.

▶ Zum Ein- und Ausschalten darf man in keinem Fall den Stecker benutzen. Man muss immer den Schalter auf dem Bedienungsfeld benutzen.

▶ Bevor das Gerät verstellt oder verschoben wird, muss man es erst ausschalten und den Wasserbehälter entleeren.

▶ Man darf keine Sprühsubstanzen gegen Insekten oder andere leichtbrennbare Reinigungsmittel verwenden.

▶ In keinem Fall darf man das Gerät mit Wasser besprühen oder begießen.

▶ **DAS GERÄT SOLL NICHT DURCH PERSONEN (EINSCHLIESSLICH DER KINDER) MIT BEGRENZTEN KÖRPERLICHEN, SENSORISCHEN ODER MENTALEN FÄHIGKEITEN ODER DURCH PERSONEN, DIE KEINE ERFAHRUNG BESITZEN UND NICHT DURCH EINE FÜR IHRE SICHERHEIT VERANTWORTLICHE PERSON GESCHULT WURDEN, BEDIENT WERDEN. ES IST SICHERZUSTELLEN, DASS KINDER MIT DEM GERÄT NICHT SPIELEN.**

### ▶▶ **SICHERHEITSREGELN IM BEREICH DES KÄLTEMITTELS R290:**

▶ Machen Sie sich mit den folgenden Warnhinweisen sorgfältig vertraut.

▶ Das Gerät enthält das Kältemittel R290. Das Kältemittel R290 entspricht den relevanten Richtlinien der Europäischen Union. Das Kühlsystem darf nicht durchstochen werden. Das Kältemittel R290 ist eine brennbare Substanz (GWP3)!

▶ Keine anderen als die vom Hersteller empfohlenen Geräte oder Mittel zur Beschleunigung der Enteisung oder Gerätereinigung verwenden.

▶ Das Gerät in einem Raum ohne feste Zündquellen (z.B. offene Flamme, laufendes Gasgerät oder laufender Elektroerhitzer) lagern.

▶ Die Komponenten des Gerätekühlsystems dürfen nicht durchstochen sowie erhitzt werden. Kein direktes Licht auf das Gerät richten.

▶ Das Gerät so aufbewahren, dass es nicht mechanisch beschädigt wird.

▶ Das Gerät muss in einem Raum mit einer Bodenfläche von mehr als 4 qm installiert, betrieben und aufbewahrt werden.

▶ Das Kältemittel kann geruchlos sein, wodurch die Ermittlung von Leckagen schwieriger sein kann.

▶ Einzuhalten sind nationale Normen und Vorschriften für Gasbrennstoffe.

▶ Keine Lüftungsöffnungen verdecken.

▶ Das Gerät in einem gut belüfteten Raum von einer Größe, die den technischen Spezifikationen des Geräts entspricht, lagern.

▶ Jede Person, die das Kühlsystem wartet oder repariert, muss im Besitz eines gültigen Zertifikats sein, das von der entsprechenden technischen Organisation ausgestellt wurde und bescheinigt, dass diese Person für den sicheren Umgang mit Kältemitteln in Übereinstimmung mit anerkannten Normen und Vorschriften zugelassen ist.

► Servicearbeiten sollten nur in Übereinstimmung mit den Empfehlungen des Geräteherstellers durchgeführt werden. Bedienung und Reparaturarbeiten, die die Anwesenheit von qualifiziertem Servicepersonal erfordern, müssen unter der Aufsicht einer Person durchgeführt werden, die zu der Verwendung von brennbaren Kältemitteln zugelassen ist.

### WICHTIG!

Das Gerät darf man nicht einsetzen, wenn die Raumtemperatur unter 5°C fällt, damit es nicht zum Vereisen des Verdampferschlauches kommt.

### ►► 4. TEILE

► Vorderseite FIG. 2

1. Bedienfeld
2. Hintergrundbeleuchtung
3. Vorderplatte
4. Hinterplatte

► Rückseite FIG. 3

5. Lüftungsklappe
6. Griff
7. Lufteinlassöffnung / Filter
8. Regulierungsfenster des Wasserniveaus
9. Wasserbehälter

### ►► 5. BEDIENUNG

► Bedienungsfeld FIG. 4

1. Feuchtigkeitstaste
2. Betriebsanzeiger (Dauerbetrieb, Feuchtigkeit 40%, 50%, 60%, 70%)
3. Temperatur-/Feuchtigkeitsanzeige
4. Schaltuhranzeige
5. Taste für Temperaturanzeige
7. Anzeige LUFTENTFEUCHTER
8. Taste LUFTENTFEUCHTER
9. Anzeige Gebläsegeschwindigkeit hoch
10. Taste Geschwindigkeit/Lüftung
11. Anzeige Gebläsegeschwindigkeit niedrig
12. Versorgungsanzeige
13. Ein/Aus-Taste (Energieversorgung)
14. Wasserstandanzeige
15. Taste SCHALTUHR

Die Kontrollleuchte auf der Vorderseite des Geräts leuchtet je nach Luftfeuchtigkeitsniveau in bis zu 3 verschiedenen Farben. Dies ermöglicht dem Benutzer eine schnelle Bestimmung der Luftfeuchtigkeit im Raum:  
 Blaues Licht - Raumfeuchtigkeit > 70%  
 Grünes Licht - Raumfeuchtigkeit 50~70%  
 Rotes Licht - Raumfeuchtigkeit < 50%  
 Blinkendes rotes Licht – Überfüllungsalarm

Bedienung

1. Schließen Sie das Gerät an die geeignete Steckdose an. (Bitte überprüfen Sie die Spannung / Frequenz auf dem Typenschild).
2. Drücken Sie die Ein/Aus-Taste, um das Gerät einzuschalten. Der Kompressor wird gestartet.
3. Drücken Sie die Feuchtigkeitstaste und wählen Sie den gewählten Betriebsmodus aus: Dauerbetrieb, Feuchtigkeit 40%, 50%, 60% oder 70%. Die entsprechende Anzeige leuchtet für den bestimmten Wert auf.

4. Drücken Sie die Taste Geschwindigkeit/Lüftung, um die Geschwindigkeit auf hoch oder niedrig einzustellen. Die entsprechende Anzeige leuchtet für den bestimmten Wert auf.

5. Drücken Sie die SCHALTUHR-Taste, um die gewünschte Arbeitszeit (1 bis 24 Stunden) einzustellen. Nach dem Drücken der SCHALTUHR-Taste zeigt die Anzeige die gewählte Arbeitszeit an. 8 Sekunden nach dem Loslassen der Taste wird an der Anzeige wieder die Raumfeuchtigkeit angezeigt. Nach Ablauf der eingestellten Arbeitszeit schaltet der Kompressor automatisch ab.

6. Die Taste „TEMP“ zeigt die aktuelle Raumtemperatur an. 8 Sekunden nach dem Loslassen der Taste wird an der Anzeige wieder die Raumfeuchtigkeit angezeigt.

7. Mit der Funktion LUFTENTFEUCHTER wird der Turbobetrieb des Lüftungssystems und zugleich dauerhafte Luftentfeuchtung eingeschaltet, die zum Trocknen der Wäsche besonders gut geeignet ist.

8. Um das Gerät auszuschalten, drücken Sie die Ein/Aus-Taste.

9. Die Voreinstellfunktion (PRE-SET) - mit Hilfe der SCHALTUHR-Taste und ohne Nutzung weiterer Funktionen (einschließlich Ein/Aus-Taste) kann die Einschaltzeit programmiert werden. Zum Beispiel wenn die Schaltuhr auf '2' gesetzt wird, schaltet sich das Gerät automatisch in 2 Stunden ein.

### ►► 6. WASSERABLEITUNG

Wenn der Wassertank überfüllt ist, wird der Kompressor aus Sicherheitsgründen automatisch ausgeschaltet und die Wassertankanzeige leuchtet rot auf.

Um den Wassertank zu entfernen, ziehen Sie ihn senkrecht aus dem Gerät heraus.

Nach dem Entleeren des Wassertanks stellen Sie ihn wieder zurück. Vergewissern Sie sich, dass er richtig positioniert ist, wenn ja, dann geht die Wasserstandanzeige aus und der Luftentfeuchter wird wieder eingeschaltet.

Wenn der Wassertank inkorrekt eingesetzt wird, wird die Wasserstandanzeige weiterhin rot leuchten.

### STÄNDIGE ABLEITUNG

► Wenn der Luftentfeuchter in einer Umgebung mit hoher Feuchtigkeit verwendet wird, muss der Wassertank häufiger entleert werden. So ist es bequemer, die kontinuierliche Wassertankentleerung einzustellen. Hierfür muss man Folgendes tun:

- 1. Wassertank entfernen (FIG. 5).
- 2. Wasserschlauch an die Austrittsöffnung mit folgendem Durchmesser anschließen: 11 mm (Schlauch ist nicht im Lieferumfang enthalten) (FIG. 6).
- 3. Vergewissern Sie sich, dass der Schlauch richtig angeschlossen ist und das Wasser problemlos abfließt. Wichtig! Bei sehr niedrigen Temperaturen muss der Schlauch vor dem Einfrieren geschützt werden.
- 4. Stellen Sie den Wassertank wieder zurück.

### ►► 7. WARTUNG UND INSTANDHALTUNG

Bevor Wartungs- oder Reinigungsarbeiten am Gerät vorgenommen werden, soll man es immer von der Stromversorgung trennen.

### GEHÄUSEREINIGUNG

Um das Gerät zu reinigen, soll man einen weichen Lappen verwenden.

In keinem Fall darf man chemische Sprühsubstanzen, Detergentien, Benzin, Kleidung, die chemisch verarbeitet wurde, oder andere Reinigungslösungen verwenden. Jede dieser Substanzen kann das Gehäuse beschädigen.

### FILTERREINIGUNG

Der Luftentfeuchter verfügt über zwei Filterarten (FIG. 7):

#### 1. STAUBFILTER

- Nehmen Sie die Filterbefestigung ab, entfernen Sie den Aktivkohlefilter.

- Reinigen Sie den Filter sanft mit Hilfe eines Staubsaugers oder unter fließendem Wasser. Wenn der Filter sehr verschmutzt ist, verwenden Sie lauwarmes Wasser und eine kleine Menge eines milden Reinigungsmittels.

- Vergewissern Sie sich, dass der Filter vor Wiederverwendung völlig trocken ist.

- Schützen Sie den Filter vor direkter Sonneneinstrahlung.

2. AKTIVKOHLEFILTER (bindet Staubpartikel aus der Luft und verhindert Vermehrung der Bakterien). Der Aktivkohlefilter befindet sich hinter dem Staubfilter, und im Gegensatz zu ihm, ist er nicht abwaschbar. Die Haltbarkeit des Aktivkohlefilters hängt von den Umgebungsbedingungen ab. Der Filter sollte regelmäßig überprüft und gegebenenfalls ausgetauscht werden.

### AUFBEWAHRUNG

Wenn das Gerät eine länger Zeitlang nicht benutzt wird, soll man es ausschalten. Den Stromversorgungskabel soll man abschalten und reinigen:

► Man soll vollständig den Wasserbehälter entleeren und ihn abwischen.

► Das Gerät soll man abdecken und an einem Ort aufbewahren, wo es keinen Sonnenstrahlen ausgesetzt wird.

### ►► 8. MÄNGELERKENNUNG

#### DAS GERÄT FUNKTIONIERT NICHT:

► Ist das Gerät an das Stromnetz angeschlossen?

► Ist die Elektrizität im Haus eingeschaltet?

► Beträgt die Raumtemperatur 5°C oder mehr als 35°C? Wenn ja, dann liegt sie außerhalb des Arbeitsbereichs des Gerätes.

► Man soll sich vergewissern, ob das Humidostat (oder die ON/OFF-Taste) eingeschaltet ist.

► Man soll überprüfen, ob der Wasserbehälter ordnungsgemäß im Gerät eingebaut ist und ob er nicht voll ist.

► Man soll sich vergewissern, ob die Luftein- und Luftauslassöffnungen nicht gesperrt sind.

#### ES SCHEINT, DASS DAS GERÄT NICHT ARBEITET:

► Ist der Filter verunreinigt oder verstaubt?

► Ist die Lufteinlass- oder Luftauslassöffnung blockiert?

► Ist die Umgebungsluftfeuchtigkeit nicht schon zu niedrig?

#### ES SIEHT SO AUS ALSOB DAS GERÄT UNPRODUKTIV ARBEITEN WÜRD:

► Sind zu viele Fenster oder Türen geöffnet?

► Befindet sich im Raum irgendetwas, was hohe Feuchtigkeit verursacht?

#### DAS GERÄT IST ZU LAUT:

► Man muss überprüfen ob das Gerät auf gerader Fläche

steht.

#### DAS GERÄT HAT EINEN LECK:

► Man soll sich vergewissern, ob das Gerät im guten technischen Zustand ist.

► Wenn der Modus der ständigen Wasserableitung nicht genutzt wird, soll man sich vergewissern ob die Gummiblende (unten am Gerät) in ihrem Platz ist.

#### Fehlercode-Anzeigen auf dem Bildschirm

Code	Verursacher	Lösung
E1	Der Temperatursensor (mit Harzummantelung) ist offen oder aufgrund des Kurzschlusses nicht funktionsfähig.	Überprüfen, ob der Temperatursensor an die Leiterplatte richtig angeschlossen ist.
		Den Temperatursensor austauschen.
		Die Hauptleiterplatte austauschen.
E2	Der Kühlsensor (mit Kupferummantelung) ist offen oder aufgrund des Kurzschlusses nicht funktionsfähig.	Überprüfen, ob der Sensor an die Leiterplatte richtig angeschlossen ist.
		Den Sensor austauschen.
		Die Hauptleiterplatte austauschen.
E3	Das Kabel des Temperaturkontrollensors (TC) ist lose oder beschädigt. Das Gerät gibt 3 Sekunden lang einen Ton von sich und die E3-Meldung wird im Sekundentakt blinken. Der Kompressor und der Lüftermotor stellen den Betrieb ein.	Der Sensor muss überprüft und ersetzt werden.
E5	Wenn die vom TC-Sensor gemessene Temperatur mehr als 5 Sekunden lang mindestens 130°C beträgt, gibt das Gerät 3 Sekunden lang einen Ton von sich und die E5-Meldung wird im Sekundentakt blinken. Der Kompressor und Lüftermotor stellen den Betrieb ein.	In dieser Situation muss das Gerät aus- und wieder eingeschaltet werden, indem man die EIN/AUS-Taste drückt, um zu prüfen, ob die E5-Meldung noch angezeigt wird. Wenn der Fehler nicht behoben wird, bedeutet dies, dass die Kompressoranlage nicht richtig funktioniert. Die Kompressoranlage muss überprüft und der Fehler behoben werden.



## INDICE

1...	<b>FUNCIONAMIENTO</b>
2...	<b>UBICACIÓN</b>
3...	<b>RECOMENDACIONES ANTES DE LA UTILIZACIÓN</b>
4...	<b>COMPONENTES</b>
5...	<b>COMO MANEJARLO</b>
6...	<b>ELIMINACIÓN DEL AGUA ALMACENADA</b>
7...	<b>LIMPIEZA Y MANTENIMIENTO</b>
8...	<b>DIAGNOSTICAR LOS PROBLEMAS</b>

**ANTES DE UTILIZAR ESTE APARATO HAY QUE LEER DETENIDAMENTE EL MANUAL DE INSTRUCCIONES Y GUARDARLA PARA SUS FUTURAS CONSULTAS.**

### ►► 1. FUNCIONAMIENTO

Este producto está destinado a deshumidificar el aire. Controla la humedad relativa al pasar el aire por el aparato, provoca la condensación del exceso de la humedad en los elementos refrigeradores. El contacto con una superficie fría provoca la condensación de la humedad en el aire. Seguidamente el agua condensada se conduce de forma segura hacia el depósito de agua. El aire deshumidificado pasa por el condensador donde se calienta ligeramente y seguidamente queda expulsado y la temperatura del ambiente sube ligeramente.

#### ► FIG. 1

1. salida del aire seco,
2. condensador,
3. evaporador, 4. entrada del aire húmedo,
5. depósito de agua,
6. compresor
7. motor
8. rotor del ventilador

### ►► 2. UBICACIÓN

El exceso de humedad va a extenderse por toda la casa del mismo modo que lo hace el olor cuando estamos cocinando. Por este motivo el deshumidificador debería ser ubicado de manera que pueda absorber el aire húmedo de toda la casa. Como excepción, si en un lugar determinado aparece un problema grave, podemos acercarlo al deshumidificador al dicho lugar y más tarde desplazarlo a un punto más central de la casa.

Cuando estemos ubicando el deshumidificador tenemos que asegurarnos de que este se encuentra en una superficie plana y tenga alrededor un espacio de 10 cm (4") libres para facilitar un flujo eficaz de aire. Este deshumidificador tiene unas ruedas auto ajustables que le dan una mejor movilidad. Antes de desplazar el aparato hay que apagarlo y vaciar el depósito de agua.

No se aconseja el uso de un alargador. Por eso hay que asegurarse de que el aparato se encuentra suficientemente cerca de un enchufe. En el caso de que el uso del un alargador fuera necesario hay que asegurarse de que el diámetro de los cables es de 1 mm<sup>2</sup> como mínimo. A medida de lo posible, mientras el deshumidificador esté funcionando es aconsejable mantener las puertas y las ventanas cerradas para asegurar de esta manera la mayor

eficacia del aparato.

### ►► 3. RECOMENDACIONES ANTES DE LA UTILIZACIÓN ¡ATENCIÓN!



Los símbolos en el dispositivo tienen los siguientes significados:

- El dispositivo está lleno de propano R290. ¡Deben observarse estrictamente las instrucciones del fabricante para operar y reparar el dispositivo!
- Lea las instrucciones de funcionamiento detenidamente antes de iniciar el dispositivo.
- No instale, use ni almacene el dispositivo en una habitación inferior a 4m<sup>2</sup>.

### REGLAS GENERALES DE SEGURIDAD

- SOLAMENTE PARA USO EN INTERIORES.
- No utilice el dispositivo en armarios de cocina empotrados, armarios, botes, caravanas o espacios cerrados similares.
- No utilice el dispositivo cerca de piscinas, en baños u otras habitaciones húmedas.
- Espere 12 horas antes de conectar el dispositivo a la fuente de alimentación después del transporte o cuando se haya inclinado (por ejemplo, durante la limpieza).
- Coloque el dispositivo en posición vertical sobre una superficie nivelada (¡también durante el transporte!) Y a una distancia de al menos 50 cm de otros objetos.
- No utilice el dispositivo en atmósferas potencialmente explosivas que contengan líquidos, gases o polvo inflamables.
- No utilice el dispositivo cerca de sustancias o combustibles inflamables o explosivos. No rocíe pinturas, agentes de limpieza, insecticidas o agentes similares cerca del dispositivo, ya que esto puede deformar las piezas de plástico o dañar el sistema eléctrico.
- Deje al menos 50 cm de espacio libre entre los lados del dispositivo y materiales de calentamiento inflamables.
- No coloque ningún objeto sobre el dispositivo ni cubra la entrada y salida de aire.

- ▶ Proteja el dispositivo contra salpicaduras.
- ▶ Supervisar a los niños y los animales domésticos cerca del dispositivo en marcha.
- ▶ **NO PERMITA QUE LOS NIÑOS JUEGUEN CON EL DISPOSITIVO.**
- ▶ Los niños no deben limpiar ni mantener el dispositivo sin la supervisión de un adulto.
- ▶ Apague el dispositivo y desenchúfelo cuando no esté en uso.
- ▶ No deje el dispositivo en funcionamiento sin vigilancia.
- ▶ No tire del dispositivo por el cable de alimentación.
- ▶ Evite torcer, enrollar o tirar del cable de alimentación en exceso, o atarlo con nylon o alambre de acero.
- ▶ Asegúrese de que el enchufe y el enchufe estén en un lugar visible y de fácil acceso.
- ▶ No use cables de extensión.
- ▶ No intente alcanzar el dispositivo si se ha caído al agua. En este caso, desenchufe el cable de alimentación inmediatamente. Verifique la condición del dispositivo antes de usarlo nuevamente.
- ▶ El dispositivo debe conectarse de acuerdo con las normativas nacionales y las normas eléctricas.
- ▶ No exceda el tamaño de habitación recomendado para obtener el máximo rendimiento del dispositivo.
- ▶ Cerrar puertas y ventanas.
- ▶ En caso de luz solar significativa, cierre las cortinas o baje las persianas.
- ▶ Mantenga los filtros limpios.
- ▶ Cuando las condiciones de la habitación alcancen el nivel objetivo, reduzca la temperatura y la configuración del flujo de aire.
- ▶ No opere el dispositivo si el dispositivo, el cable de alimentación o el enchufe están dañados, el dispositivo no funciona correctamente o si hay signos de otra falla. Entregue el dispositivo completo a un vendedor o electricista calificado para su inspección y / o reparación. Use solo repuestos originales. El dispositivo (incluido el cable de alimentación y el enchufe) puede ser desmontado y / o reparado solo por personas autorizadas y debidamente calificadas.
- ▶ Se recomienda la inspección periódica del dispositivo.
- ▶ **LA MÁQUINA PUEDE SER DESMONTADA O MODIFICADA SOLAMENTE POR UN SERVICIO CERTIFICADO.**
- ▶ **EL DISPOSITIVO PUEDE SER UTILIZADO SOLAMENTE DE ACUERDO CON SU PROPÓSITO.**
- ▶ **USARLO PARA OTRO PROPÓSITO SERÁ CONSIDERADO COMO UN USO INADECUADO. EL USUARIO ES RESPONSABLE DE CUALQUIER DAÑO O LESIÓN DERIVADO DE DICHO PROCEDIMIENTO, NO EL FABRICANTE DEL DISPOSITIVO.**
- ▶ El aparato tiene que estar en la posición vertical.
- ▶ No introduzca los dedos u objetos en la entrada y salida del aire.
- ▶ La fuente alimentadora tiene que coincidir con la especificación indicada en la placa nominal de la parte trasera del aparato.
- ▶ Si el cable o la clavija están dañados hay que sustituirlos por una persona autorizada del servicio técnico (una persona debidamente cualificada) para evitar situaciones de riesgo.
- ▶ Para encender y apagar el aparato no se debe utilizar la clavija. Siempre hay que utilizar el interruptor del panel de control.
- ▶ Antes de desplazar el aparato hay que apagarlo y va-

ciar el depósito de agua.

- ▶ No utilice insecticidas ni otros detergentes limpiadores inflamables.
- ▶ Bajo ningún concepto eche agua encima del aparato.
- ▶ **EL PRESENTE APARATO NO DEBE SER MANEJADO POR PERSONAS (LOS NIÑOS INCLUIDOS) CON LIMITACIONES FÍSICAS, SENSORIALES O MENTALES, O PERSONAS SIN EXPERIENCIA, QUE NO HAYAN SIDO INSTRUIDAS POR LOS RESPONSABLES DE SU SEGURIDAD.**

### ▶▶ **REGLAS DE SEGURIDAD PARA EL REFRIGERANTE R290:**

- ▶ Lea atentamente las siguientes advertencias.
- ▶ El dispositivo contiene refrigerante R290. El refrigerante R290 cumple con las directivas relevantes de la Unión Europea.
- ▶ No perforar el sistema de refrigeración. ¡El refrigerante R290 es inflamable (GWP3)!
- ▶ No utilice equipos o agentes para acelerar la descongelación o limpieza del dispositivo que no sean los recomendados por el fabricante.
- ▶ Almacene el dispositivo en una habitación sin fuentes permanentes de ignición (por ejemplo, llama abierta, dispositivo de gas en funcionamiento o calentador eléctrico en funcionamiento).
- ▶ No perfore ni dispare los componentes de refrigeración del sistema. No apunte la luz directamente al dispositivo.
- ▶ Almacene el dispositivo de tal manera que no se dañe mecánicamente.
- ▶ El dispositivo debe instalarse, usarse y almacenarse en una habitación superior a 4m<sup>2</sup>.
- ▶ El refrigerante puede ser inodoro lo que dificulta la detección de fugas.
- ▶ Cumplir con las normas y regulaciones nacionales para combustibles gaseosos.
- ▶ No bloquee los orificios de ventilación.
- ▶ Almacene el dispositivo en una habitación bien ventilada que coincida con las especificaciones técnicas del dispositivo.
- ▶ Cada persona involucrada en la operación o reparación del sistema de refrigeración debe tener un certificado válido emitido por la institución técnica pertinente que certifique la competencia de esa persona en el manejo seguro de refrigerantes de acuerdo con las normas y reglamentos aceptados.
- ▶ El servicio solo debe llevarse a cabo de acuerdo con las instrucciones del fabricante del dispositivo. Los trabajos de mantenimiento y reparación que requieran la presencia de personal de servicio calificado deben realizarse bajo la supervisión de una persona calificada para usar refrigerantes inflamables.

### **IMPORTANTE!**

No se debe utilizar el aparato en la temperatura del ambiente más baja que 5°C, para evitar el del evaporador se cubra de escarcha.

### ▶▶ **4. COMPONENTES**

- ▶ Frente FIG. 2
- 1. Panel de control
- 2. Iluminación
- 3. Panel delantero
- 4. Panel trasero

- Atrás FIG. 3
- 5. Puerta de ventilación
- 6. Asa
- 7. Entrada de aire / Filtros
- 8. Ventana de nivel de agua
- 9. Depósito de agua

es

## ►► 5. COMO MANEJARLO

- Panel de control FIG. 4
- 1. Botón de ajuste de la humedad
- 2. Indicador del modo de trabajo (continuo, humedad 40%, 50%, 60%, 70%)
- 3. Visualizador de temperatura/humedad
- 4. Indicador de funcionamiento del reloj
- 5. Botón para visualizar la temperatura
- 7. Indicador DESHUMIDIFICADOR
- 8. Botón DESHUMIDIFICADOR
- 9. Indicador de alta velocidad de ventilación
- 10. Botón velocidad/ventilación
- 11. Indicador de baja velocidad de ventilación
- 12. Indicador de alimentación
- 13. Pulsador ON/OFF (alimentación)
- 14. Indicador del „Depósito lleno”
- 15. Botón RELOJ

El indicador en el panel frontal del dispositivo se ilumina en 3 colores diferentes según el nivel de humedad. Esto permite al usuario determinar rápidamente la humedad de la habitación:

- Luz azul - humedad en la habitación > 70%
- Luz verde - humedad en la habitación 50~70%
- Luz roja - humedad en la habitación < 50%
- Luz roja parpadeante - alarma de depósito lleno

- Para utilizar el deshumidificador
- 1. Conecta el aparato al enchufe adecuado. (Se ruega verificar el valor de tensión/frecuencia en la placa nominal del aparato).
- 2. Pulsa el botón ON/OFF para encender el aparato. El compresor empezará a funcionar.
- 3. Pulsa el botón de ajuste de la humedad para elegir el modo de funcionamiento: continuo, nivel de humedad 40%, 50%, 60% o 70%. Se encenderá el indicador adecuado para el valor correspondiente.
- 4. Pulsa el botón velocidad/ventilación para ajustar la velocidad alta o baja de la ventilación. Se encenderá el indicador adecuado para el valor correspondiente.
- 5. Pulsa el botón RELOJ para ajustar el tiempo de funcionamiento deseado (1~24 horas). Al pulsar el botón RELOJ la pantalla visualizadora indicará el tiempo actualmente seleccionado. Libera el botón durante 8 segundos para que la pantalla vuelva al modo de la humedad en la habitación. Una vez pasado el tiempo preseleccionado el compresor se apagará automáticamente.
- 6. Con el botón „TEMP” se visualiza la temperatura actual en la habitación. Libera el botón durante 8 segundos para que la pantalla vuelva al modo de la humedad en la habitación.
- 7. La función DESHUMIDIFICADOR enciende el modo turbo del circuito de ventilación y hace bajar el nivel de humedad en el aire. Esta función permite que se seque la colada.
- 8. Para apagar el aparato pulsa el botón ON/OFF .

9. La función de encendido automático (PRE-SET), a través del botón RELOJ y sin utilizar programar funciones del aparato (incluido el botón ON/OFF), se puede ajustar la hora para encender la máquina/ Por ejemplo, si programas el reloj en '2', el aparato se encenderá automáticamente pasadas 2 horas.

## ►► 6. ELIMINACIÓN DEL AGUA ALMACENADA

Cuando el depósito de agua esté lleno el compresor se enciende automáticamente por seguridad, y el indicador del depósito lleno se encenderá con la luz roja.

Para retirar el depósito de agua sácalo del aparato de forma perpendicular al mismo.

Una vez vaciado el depósito de agua colócalo de nuevo en su sitio. Asegúrate de que el depósito está colocado de forma correcta. En este caso la luz de control del depósito lleno se apagará y el deshumidificador se encenderá.

Fíjate que en el caso de que el depósito no esté colocado de forma correcta el indicador del depósito lleno seguirá señalizándolo con la luz roja.

## VACIADO CONTINUO

Si el deshumidificador se utiliza en las condiciones de alta humedad del aire el depósito de agua necesitará que éste se vacíe más a menudo. En este caso resultará más cómodo programar el vaciado continuo del depósito. Para ello hace falta seguir estos pasos:

1. Retirar el depósito de agua (Fig. 5)
2. Conectar el conducto para el agua al orificio de salida de diámetro: 11 mm (este conducto no viene incluido en el kit) (Fig. 6).
3. Asegúrate de que el conducto está conectado de forma correcta y el agua cae sin obstáculos. ¡Atención!: En el caso de las temperaturas muy bajas, además, hay que proteger el conducto para que este no se congele.
4. Colocar el depósito de agua en su sitio.

## ►► 7. LIMPIEZA Y MANTENIMIENTO

Antes de empezar las labores de limpieza o mantenimiento hay que desconectar el aparato de la red eléctrica.

### LIMPIEZA EXTERIOR

Usar un paño suave para limpiar el aparato. Bajo ningún concepto use sprays, detergentes, gasolina, ropa tratada con productos químicos u otras sustancias limpiadoras. Cualquiera de las sustancias mencionadas puede dañar la caja del aparato.

### LIMPIEZA DEL FILTRO

Este modelo de deshumidificador viene equipado con 2 tipos de filtros (FIG. 7):

1. FILTRO ANTIPOLVO
  - Quita la conexión del filtro, saca el filtro con carbón activado.
  - Limpia el filtro con cuidado utilizando una aspiradora o aclarándolo bajo un chorro de agua corriente. - Cuando el filtro está muy sucio utiliza el agua caliente y un detergente suave.
  - Asegúrate de que el filtro está completamente seco antes de utilizarlo de nuevo.
  - No se debe exponer el filtro a los rayos directos del sol.
2. FILTRO DE CARBÓN ACTIVADO (adhiera las partículas de polvo suspendidas en el aire y limita el proceso

de reproducción de las bacterias).

El filtro de carbón activado se ubica detrás del filtro antipolvo y al contrario que el segundo, el primero no es lavable. La durabilidad del filtro de carbono depende de las condiciones ambientales en el lugar donde se utiliza el aparato. El filtro se debe verificar periódicamente y en caso de necesidad cambiarlo.

### ALMACENAMIENTO

Si el aparato no se utiliza durante una temporada se recomienda apagarlo. Se debe desenchufar el cable y limpiarlo:

- ▶ Es necesario vaciar completamente el depósito de agua y secarlo.
- ▶ A continuación tapamos el aparato y lo guardamos en un lugar donde no esté expuesto a rayos de sol.

## ▶▶ 8. DIAGNOSTICAR LOS PROBLEMAS

### EL APARATO NO ARRANCA:

- ▶ ¿El cable de alimentación está desenchufado?
- ▶ ¿La corriente eléctrica en casa está cortada?
- ▶ ¿La temperatura de la habitación es más baja que 5°C o más alta que 35°C? Si es así la temperatura está fuera de la temperatura de servicio.
- ▶ Asegurarse de que el humidostato (o el interruptor ON/OFF) está encendido.
- ▶ Verificar si el depósito de agua está colocado correctamente en el aparato y si está lleno.
- ▶ Asegurarse de que la salida y la entrada de aire no están bloqueadas.

### EL APARATO PARECE QUE NO FUNCIONA:

- ▶ ¿El filtro está sucio o con polvo?
- ▶ ¿La salida y la entrada de aire están bloqueadas?
- ▶ ¿La humedad del ambiente está ya demasiado baja?

### EL APARATO PARECE QUE NO FUNCIONA EFICAZMENTE:

- ▶ ¿Hay demasiadas puertas y ventanas abiertas?
- ▶ ¿Hay algo en la habitación que sube el nivel de humedad?

### EL APARATO ES DEMASIADO RUIDOSO:

- ▶ Verificar si el aparato está apoyado en una superficie lisa.

### EL APARATO PIERDE AGUA:

- ▶ Asegurarse de que el aparato está en buena condición técnica.
- ▶ Si la opción de la salida continua de agua no está en uso, hay que asegurarse de que el tapón de goma (que se encuentra en la parte inferior del aparato) está en su sitio.

Códigos de errores en la pantalla		
Código	Causa	Solución
E1	El sensor de temperatura del ambiente (con la protección de resina) está abierto o no funciona correctamente debido a un cortocircuito.	Verificar si el sensor de temperatura del ambiente está conectado al circuito impreso de forma correcta.
		Cambiar el sensor de temperatura del ambiente.
		Cambiar el circuito impreso principal.
E2	El sensor del circuito de refrigeración (con la protección de cobre) está abierto o no funciona correctamente debido a un cortocircuito	El nivel de humedad del aire está por debajo del 40% de la humedad relativa.
		Verificar si el sensor está conectado al circuito impreso de forma correcta.
		Cambiar el sensor.
E3	El cable del sensor de control de temperatura (TC) está suelto o dañado. El dispositivo emitirá un pitido durante 3 segundos y el mensaje E3 parpadeará cada segundo. El compresor y el motor del ventilador dejarán de funcionar	Cambiar el circuito impreso principal.
		El sensor debe ser revisado y reemplazado.
E5	Si la temperatura leída por el sensor TC es de al menos 130° C durante más de 5 segundos, el dispositivo emitirá un pitido durante 3 segundos y el mensaje E5 parpadeará cada segundo. El compresor y el motor del ventilador dejan de funcionar.	En esta situación, apague el dispositivo y vuelva a encenderlo con el botón ON / OFF para verificar si el mensaje E5 aún se mostrará. Si el error persiste, significa que el sistema del compresor no funciona correctamente. El sistema del compresor debe ser verificado y la falla rectificadas.



## TABLE DES MATIÈRES

1...	<b>FONCTIONNEMENT</b>
2...	<b>LOCALISATION</b>
3...	<b>CONSEILS AVANT L'UTILISATION</b>
4...	<b>PIÈCES</b>
5...	<b>EXPLOITATION</b>
6...	<b>EVACUATION D'EAU</b>
7...	<b>ENTRETIEN ET MAINTENANCE</b>
8...	<b>DÉTECTION DE DÉFAUTS</b>

**AVANT D'UTILISER L'APPAREIL, IL FAUT LIRE ATTENTIVEMENT LA NOTICE AINSI QUE LA CONSERVER POUR L'UTILISER ULTÉRIEUREMENT.**

### ►► 1. FONCTIONNEMENT

Le produit suivant sert à déshumidifier l'air. Il contrôle l'humidité relative en faisant passer l'air à travers l'appareil, en amenant à la condensation du surplus d'humidité sur les éléments frigorifiques. Le contact avec une surface froide provoque la liquéfaction de l'humidité dans l'air. Ensuite, l'eau condensée est évacuée en sécurité dans le réservoir d'eau. L'air déshumidifié passe par le condenseur où il est chauffé un peu et ensuite il est à nouveau conduit dans la pièce, mais sa température est légèrement élevée.

#### ► FIG. 1

1. sortie d'air sec,
2. condenseur,
3. évaporateur,
4. entrée d'air humide,
5. réservoir d'eau,
6. compresseur
7. moteur
8. rotor du ventilateur

### ►► 2. LOCALISATION

Le surplus d'humidité va se propager dans la maison de la même manière que l'odeur pendant la cuisson se propage dans la pièce. C'est pour cela que le déshumidificateur devrait être placé de manière à prélever l'air humide de toute la maison.

Eventuellement, s'il y a un grave problème dans une pièce, il existe la possibilité de placer le déshumidificateur près de cette pièce et ensuite de le mettre dans un endroit plus central.

Pendant la pose de l'humidificateur, il faut s'assurer qu'il se trouve sur une surface droite ainsi que de chaque côté de l'appareil il y a 10 cm (4") d'espace afin de permettre un passage d'air effectif.

Le présent déshumidificateur est équipé de roues flottantes afin de permettre une meilleure mobilité. Au moment de changement de place de l'appareil, il faut d'abord l'éteindre et vider le réservoir d'eau.

Il n'est pas conseillé d'utiliser une rallonge, c'est pourquoi il faut s'assurer que l'appareil se trouve suffisamment près d'une prise de contact. En cas de nécessité d'utiliser une rallonge, il faut s'assurer que le diamètre des câbles est de 1 mm<sup>2</sup> minimum.

Pendant le fonctionnement du déshumidificateur, en cas

de nécessité les portes et fenêtres devraient être fermées afin de permettre une meilleure efficacité de l'appareil.

### ►► 3. CONSEILS AVANT L'UTILISATION ATTENTION !



Les symboles apposés sur l'appareil ont les significations suivantes:

- L'appareil est rempli avec du propane R290. Toujours suivre les recommandations du fabricant concernant l'utilisation et la réparation de l'appareil!
- Avant d'utiliser cet appareil, lire attentivement ce mode d'emploi.
- L'appareil doit être installé, actionné et stocké dans une pièce ayant une superficie au sol supérieure à 4m<sup>2</sup>.

### INDICATIONS GÉNÉRALES DE SÉCURITÉ

► CET APPAREIL NE DOIT ÊTRE UTILISÉ QU'À L'INTÉRIEUR.

► Ne pas utiliser l'appareil dans les meubles de cuisine, l'armoire, sur les bateaux, dans les caravanes ou dans des espaces fermés similaires.

► Ne pas utiliser l'appareil à proximité des piscines, dans les salles de bains ou dans d'autres pièces humides.

► Attendre 12 heures avant de connecter l'appareil à l'alimentation électrique après le transport où quand il a été incliné (par ex. pendant le nettoyage).

► L'appareil doit être placé dans la position verticale sur une surface plane (aussi pendant le transport!) et à une distance d'au moins 50 cm d'autres objets.

► Ne pas utiliser l'appareil dans une atmosphère potentiellement explosive contenant des liquides inflammables, des gaz ou de la poussière.

► Ne pas utiliser l'appareil à proximité des substances ou combustibles inflammables ou explosifs. Ne pas pulvériser à proximité de l'appareil des peintures, des produits de nettoyage, des insecticides ou des moyens analogues parce que cela peut conduire à une déformation des pièces en plastique ou à un endommagement du système électrique.

► Laisser au moins 50 cm d'espace libre entre les côtés de l'appareil et des matériaux inflammables qui s'échauffent.

► Ne placer aucun objet sur l'appareil ni ne pas obstruer

les entrées et les sorties de l'air

- ▶ Protégez l'appareil contre les éclaboussures d'eau.
- ▶ Surveiller les enfants et les animaux qui sont à proximité de l'appareil en marche.
- ▶ **LES ENFANTS NE DOIVENT PAS JOUER AVEC L'APPAREIL.**
- ▶ Le nettoyage et l'entretien à la charge de l'utilisateur ne peuvent pas être effectués par les enfants sauf s'ils sont
  - ▶ sous surveillance.
- ▶ Lorsque l'appareil n'est pas utilisé, il faut l'éteindre et débrancher la fiche de la prise de courant.
- ▶ Ne jamais laisser l'appareil en marche sans surveillance.
- ▶ Ne pas tirer l'appareil par le cordon d'alimentation,
- ▶ Évitez de tordre excessivement, d'enrouler et de tirer le cordon d'alimentation et de l'attacher avec du fil en acier ou en nylon.
- ▶ Il faut s'assurer que la fiche et la prises se trouvent dans un emplacement visible et facilement accessible.
- ▶ Ne pas utiliser de rallonges électriques.
- ▶ Ne pas toucher l'appareil s'il est tombé dans l'eau. Dans un tel cas, débrancher immédiatement le cordon d'alimentation. Avant toute nouvelle utilisation, vérifier l'état de l'appareil.
- ▶ Cet appareil doit être branché conformément aux réglementations et normes électriques nationales.
- ▶ Ne pas dépasser la taille de la pièce recommandée pour une performance maximale de l'appareil.
- ▶ Fermer les portes et les fenêtres.
- ▶ S'il y a trop de soleil, tirer les rideaux ou fermer les stores.
- ▶ Veiller à ce que les filtres soient propres.
- ▶ Lorsque les conditions de la pièce atteindront le niveau cible, réduire les réglages de température et de débit d'air.
- ▶ Ne pas utiliser l'appareil si l'appareil, le cordon d'alimentation ou la prise sont endommagés, si l'appareil ne fonctionne pas correctement ou si'il y a des signes d'un autre défaut. Passez l'appareil complet au vendeur ou à l'électricien qualifié pour le faire vérifier et / ou réparer. Toujours demander qu'on utilise des pièces de rechange originales. L'appareil (avec le cordon d'alimentation et la fiche) peut être démonté et/ou réparé uniquement par une personne autorisée et qualifié.
- ▶ Il est recommandé d'effectuer des services périodiques de vérification de l'appareil.
- ▶ **L'APPAREIL PEUT ÊTRE DEMONTÉ OU MODIFIÉ UNIQUEMENT PAR UN TECHNICIEN CERTIFIÉ.**
- ▶ **L'APPAREIL DOIT ÊTRE UTILISÉ CONFORMÉMENT À SA DESTINATION. TOUT AUTRE USAGE DOIT ÊTRE CONSIDÉRÉ COMME IMPROPRE. AUCUNE RESPONSABILITÉ DU FABRICANT NE SAURA ENGAGÉE POUR TOUT DOMMAGE AUX PERSONNES ET AUX BIENS CAUSÉ PAR L'UTILISATION IMPROPRE ET INCORRECTE DE L'APPAREIL.**
- ▶ L'appareil doit se trouver toujours en position verticale.
- ▶ Il faut tenir les corps étrangers loin des ouvertures d'entrée et de sortie d'air.
- ▶ L'alimentation en courant doit être conforme à la spécification se trouvant sur la plaque signalétique à l'arrière de l'appareil.
- ▶ Si le câble d'alimentation est endommagé, il doit être remplacé par un représentant du service autorisé (une personne possédant les qualifications nécessaires) afin d'éviter le danger.

- ▶ Il est interdit d'utiliser la fiche de contact afin d'allumer et d'éteindre l'appareil. Il faut toujours utiliser l'interrupteur se trouvant sur le panneau de commande.
- ▶ Avant de déplacer l'appareil, il faut d'abord l'éteindre et ensuite vider le réservoir d'eau.
- ▶ Il ne faut pas utiliser d'insecticides en aérosol ni d'autres produits nettoyants inflammables.
- ▶ Il ne faut en aucun cas arroser ou asperger l'appareil d'eau.
- ▶ **LE PRESENT APPAREIL N'EST PAS DESTINE A ETRE UTILISE PAR DES PERSONNES (ENFANTS INCLUS) POSSEDANT DE RESTREINTES CAPACITES PHYSIQUES, SENSORIELLES OU MENTALES OU PAR DES PERSONNES SANS EXPERIENCE QUI N'ONT PAS ETE FORMEES PAR LA PERSONNE RESPONSABLE DE LEUR SECURITE. IL FAUT FAIRE ATTENTION A CE QUE LES ENFANTS NE JOUENT PAS AVEC CET APPAREIL.**

### ▶▶ **RÈGLES DE SÉCURITÉ RELATIVES AUX FLUIDES FRIGORIGÈNES R290:**

- ▶ Veuillez lire attentivement les avertissements suivants.
- ▶ Cet appareil contient du fluide frigorigène R290. Le fluide frigorigène R290 est conforme aux directives européennes. Ne pas percer le circuit frigorifique. Le fluide frigorigène R290 est une substance inflammable (GWP3)!
- ▶ Ne pas utiliser des dispositifs mécaniques ou d'autres moyens pour accélérer le dégivrage ou le nettoyage autres que ceux recommandés par le fabricant.
- ▶ L'appareil doit être installé dans une pièce sans sources d'inflammation en fonctionnement continu (par exemple:
  - ▶ flammes nues, appareils à gaz ou électriques en marche).
- ▶ Ne percer ni brûler aucun des composants du circuit frigorifique. Ne pas diriger la lumière sur l'appareil.
- ▶ L'appareil doit être conservé de façon à prévenir les pannes mécaniques.
- ▶ L'appareil doit être installé, utilisé et conservé dans une pièce ayant une superficie au sol supérieure à 4m<sup>2</sup>.
- ▶ Les réfrigérants peuvent être inodores donc une fuite est souvent difficile à détecter
- ▶ Respecter les normes et réglementations nationales sur les combustibles gazeux.
- ▶ Ne pas couvrir les trous de ventilation.
- ▶ Le local où l'appareil sera conservé doit être bien aéré et avoir une superficie correspondant à la spécification technique de l'appareil.
- ▶ Les personnes qui travaillent ou interviennent sur un circuit frigorifique doivent posséder une certification adéquate, délivrée par un organisme accrédité, attestant leurs compétences en matière de manipulation de fluides frigorigènes conformément à une spécification officiellement reconnue.
- ▶ Les interventions de réparation doivent être effectuées uniquement selon les recommandations du fabricant de l'appareil. Les opérations d'entretien et de réparation nécessitant l'assistance de personnel qualifié doivent être effectuées sous la supervision de la personne spécialisée dans l'utilisation des fluides frigorigènes inflammables.

### **IMPORTANT !**

Il ne faut pas utiliser l'appareil dans une température ambiante en-dessous de 5°C afin d'éviter le recouvrement de glace sur l'évaporateur.

## ►► 4. PIÈCES

### ► Avant FIG. 2

1. Panneau de commande
2. Rétroéclairage
3. Panneau avant
4. Panneau arrière

fr

### ► Arrière FIG. 3

5. Clapet de ventilation
6. Poignée
7. Entrée d'air / Filtres
8. Fenêtre du niveau d'eau
9. Réservoir d'eau

## ►► 5. EXPLOITATION

### ► Panneau de commande FIG. 5

1. Bouton de réglage de l'humidité
2. Voyant de mode (continu, humidité 40%, 50%, 60%, 70%)
3. Affichage de la température / de l'humidité
4. Voyant de fonctionnement de la minuterie
5. Bouton d'affichage de la température
7. Voyant SECHEUR
8. Bouton SECHEUR
9. Voyant de haute vitesse de la ventilation
10. Bouton vitesse/ventilation
11. Voyant de basse vitesse de la ventilation
12. Voyant d'alimentation
13. Bouton MARCHE/ARRET (alimentation)
14. Voyant «Remplissage d'eau»
15. Bouton MINUTERIE

Le voyant sur le panneau avant de l'appareil s'allume en 3 couleurs différentes en fonction du niveau d'humidité de l'air. Cela permet à l'utilisateur de déterminer rapidement l'humidité de l'air dans la pièce:

Lumière bleue - l'humidité ambiante > 70%

Lumière verte - l'humidité ambiante > 50~70%

Lumière rouge - l'humidité ambiante < 50%

Lumière rouge clignotante - alarme de remplissage d'eau

### ► Exploitation:

1. Branchez l'appareil à une prise appropriée. (Vérifiez la tension / la fréquence sur la plaque signalétique de l'appareil).
2. Appuyez sur le bouton MARCHE/ARRET pour démarrer l'appareil. Le compresseur démarre.
3. Appuyez sur le bouton de réglage d'humidité pour sélectionner le mode de fonctionnement: constant, niveau d'humidité 40%, 50%, 60% ou 70%. Le voyant correspondant s'allume.
4. Appuyez sur le bouton de vitesse / ventilation pour régler la vitesse du ventilateur (haute ou basse). Le voyant correspondant s'allume.
5. Appuyez sur le bouton MINUTERIE pour régler une durée souhaitée (1~24 heures). Lorsque vous appuyez sur le bouton MINUTERIE, la fenêtre d'affichage indique la durée sélectionnée, relâchez le bouton pendant 8 secondes pour que la fenêtre d'affichage revienne au mode d'affichage de l'humidité ambiante. Après l'écoulement du temps indiqué, le compresseur se met automatiquement hors tension.
6. Le bouton TEMP permet d'afficher la température ac-

tuelle de la pièce, relâchez le bouton pendant 8 secondes pour que la fenêtre d'affichage revienne au mode d'affichage de l'humidité ambiante.

7. La fonction de séchage active le mode turbo du système de ventilation ce qui provoque le drainage permanent de l'humidité dans l'air, cette fonction permet de sécher le linge.

8. Appuyez sur le bouton MARCHE/ARRET pour démarrer l'appareil.

9. La fonction de la mise hors tension précoce (PRE-SET) en utilisant le bouton MINUTERIE sans activer toutes les autres fonctions (y compris le bouton MARCHE/ARRET), vous pouvez programmer le temps de la mise hors tension de l'appareil / par exemple, si vous réglez la minuterie à '2', l'appareil démarre automatiquement après 2 heures.

## ►► 6. EVACUATION D'EAU

Lorsque le réservoir est rempli d'eau, le compresseur s'arrête automatiquement pour la sécurité, et le voyant de remplissage d'eau s'allume en rouge.

Pour retirer le réservoir d'eau, enlevez-le perpendiculairement de l'appareil.

Après avoir vidé le réservoir d'eau, remettez-le à sa place. Assurez-vous qu'il est correctement positionné, alors le voyant de remplissage d'eau s'éteint et le sècheur démarre.

Notez que si le réservoir n'est pas insérée correctement, le voyant de remplissage s'allume toujours en rouge.

## EVACUATION CONTINUE

Si le sècheur est utilisé dans des conditions de forte humidité, le réservoir d'eau doit être vidé plus fréquemment. Dans une telle situation, il est beaucoup plus pratique de régler le vidage continu du réservoir, pour le faire, procédez aux opérations suivantes:

1. Retirez le réservoir d'eau (fig. 5).

2. Raccordez le conduit d'eau à un trou de sortie d'un diamètre: 11 mm (le conduit n'est pas fourni avec l'appareil) (Fig. 6).

3. Assurez-vous que le conduit est correctement connecté et l'eau écoule bien. Attention! À de très basses températures, protégez le conduit contre le gel.

4. Mettez le réservoir d'eau à sa place.

## ►► 7. ENTRETIEN ET MAINTENANCE

Avant d'effectuer l'entretien ou avant le nettoyage de l'appareil, il faut toujours le débrancher du réseau d'alimentation.

### NETTOYAGE DU CORPUS

Afin de nettoyer l'appareil, il faut utiliser un chiffon doux.

En aucun cas on ne peut utiliser des substances chimiques, des détergents, de l'essence, des vêtements soumis à un traitement chimique ou autres substances nettoyantes. Chacune de ces substances peut endommager le boîtier de l'appareil.

### NETTOYAGE DU FILTRE

Ce modèle du sècheur est équipé de 2 types de filtres (FIG. 7):

#### 1. FILTRE ANTI-POUSSIÈRE

- Retirez le porte-filtre, enlever le filtre au charbon actif.

- Nettoyez délicatement le filtre avec un aspirateur ou le rincez sous le robinet. Si le filtre est très sale, utilisez de

l'eau chaude et une petite quantité de détergent doux.  
- Assurez-vous que le filtre est complètement sec avant sa réutilisation.

- Ne pas exposer le filtre à lumière directe du soleil.

2. Filtre à charbon actif (pour lier les particules de poussière suspendues dans l'air et limiter la multiplication des bactéries).

Le filtre à charbon actif est placé derrière le filtre anti-poussière, et, contrairement à ce filtre, il n'est pas lavable. La durabilité du filtre à charbon dépend des conditions environnementales à l'emplacement où l'appareil est utilisé. Le filtre doit être périodiquement vérifié et remplacé si nécessaire.

## STOCKAGE

Il faut éteindre l'appareil s'il n'est pas utilisé pendant une longue période. Il faut débrancher le câble d'alimentation et le nettoyer :

► Il faut vider complètement le réservoir d'eau et le nettoyer jusqu'à ce qu'il soit sec.

► Il faut ensuite couvrir l'appareil et le stocker dans un endroit où il ne sera pas exposé au rayonnement du soleil.

## ►► 8. DÉTECTION DE DÉFAUTS

### L'APPAREIL NE FONCTIONNE PAS :

► L'appareil a-t-il été branché au réseau d'alimentation ?

► Le courant est-il allumé dans la maison ?

► Est-ce que la température ambiante est de 5°C ou de plus de 35°C ? Si oui, la température dépasse le domaine d'action de l'appareil.

► Il faut s'assurer si l'humidostat (ou le commutateur ON/OFF) est enclenché.

► Il faut vérifier si le réservoir d'eau est placé convenablement sur l'appareil et s'il n'est pas plein.

► Il faut s'assurer que l'entrée et la sortie d'air ne sont pas bloquées.

### L'APPAREIL SEMBLE NE PAS ETRE EN MARCHE

► Le filtre est-il empoussiéré, sale ?

► L'entrée et la sortie d'air ne sont-elles pas bloquées ?

► L'humidité de l'environnement n'est-elle pas plus basse ?

### L'APPAREIL SEMBLE NE PAS TRAVAILLER EFFICACEMENT :

► Est-ce qu'il n'y a pas trop de portes et fenêtres ouvertes ?

► Est-ce que dans la pièce il n'y a pas quelque chose qui provoque une grande humidité ?

### L'APPAREIL EST TROP BRUYANT

► Il faut vérifier si l'appareil se trouve sur une surface droite

### L'APPAREIL A DES FUITES :

► Il faut vérifier si l'appareil est en bon état technique.

► Si la fonction d'évacuation continue d'eau n'est pas utilisée, il faut s'assurer que le bouchon en caoutchouc (en bas de l'appareil) se trouve à sa place.

Codes d'erreur sur l'affichage		
Code	Motif	Solution
E1	Le capteur de température ambiante (avec la couverture de résine) est ouvert ou a une défaillance due à un court-circuit.	Vérifier si le capteur de température ambiante est connecté de manière correcte à la carte électronique.
		Remplacer le capteur de température ambiante.
		Remplacer la carte électronique.
E2	Le capteur de système réfrigérant (avec la couverture de cuivre) est ouvert ou a une défaillance due à un court-circuit.	Vérifier si le capteur est connecté de manière correcte à la carte électronique.
		Remplacer le capteur
		Remplacer la carte électronique.
E3	Le câble du capteur de température (TC) est desserré ou endommagé. L'appareil va émettre un bip sonore pendant 3 secondes et le code d'erreur E3 va clignoter toute une seconde. Le compresseur et le moteur de ventilateur vont arrêter de fonctionner.	Il faut vérifier et remplacer le capteur.
E5	Si la température détectée par le capteur TC est d'au moins 130° C pendant plus de 5 secondes, l'appareil va émettre un bip sonore pendant 3 secondes et le code d'erreur E5 va clignoter toute une seconde. Le compresseur et le moteur de ventilateur arrêteront de fonctionner.	Dans ce cas, éteindre et rallumer l'appareil en utilisant le bouton ON/OFF pour vérifier si le code E5 sera toujours affiché. Si l'erreur persiste, cela signifie que le système de compresseur ne fonctionne pas correctement. Il faut vérifier le système de compresseur et éliminer la panne.



## INHOUDSOPGAV

1...	<b>WERKING</b>
2...	<b>PLAATSING</b>
3...	<b>INSTRUCTIES VÓÓR HET GEBRUIK</b>
4...	<b>ONDERDELEN</b>
5...	<b>BEDIENING</b>
6...	<b>WATERAFVOER</b>
7...	<b>ONDERHOUD</b>
8...	<b>VERHELPELEN VAN STORINGEN</b>

**ALVORENS HET APPARAAT TE GEBRUIKEN, DIENT DE HANDLEIDING AANDACHTIG TE WORDEN BESTUDEERD EN BEWAARD VOOR LATERE RAADPLEGING.**

### ►► 1. WERKING

Dit apparaat is een luchtontvochtiger. De luchtontvochtiger regelt de relatieve vochtigheid in afgesloten ruimtes door lucht op te zuigen en over koelelementen te leiden. Het koude oppervlak van de koelelementen laat het vocht in de lucht condenseren. Het condenswater wordt opgevangen in de watertank. De gedroogde lucht wordt door de uitblaasrooster weer in het vertrek geblazen. De lucht wordt nog iets opgewarmd, voordat deze door de uitblaasrooster weer in het vertrek wordt geblazen.

#### ► FIG. 1

1. uitlaat droge lucht
2. condensor
3. verdamper
4. inlaat vochtige lucht
5. watertank
6. compressor
7. motor
8. ventilatorblad

### ►► 2. PLAATSING

Vochtige lucht verspreidt zich, net als hinderlijke (kook) luchtjes, door het gehele huis. Het is dan ook raadzaam om de luchtontvochtiger op een centrale plaats neer te zetten, zodat de vochtige lucht van alle kanten uit het gehele huis kan worden aangezogen. Heeft u een serieus vochtprobleem in een vertrek, begin dan in dit vertrek. Later als het vochtprobleem is opgelost, kunt u de luchtontvochtiger desgewenst verplaatsen naar een meer centrale plaats.

Plaats de luchtontvochtiger nooit te dicht bij een radiator of andere warmtebron.

Zet de luchtontvochtiger stabiel op een vlakke ondergrond. Zet de luchtontvochtiger zoveel mogelijk waterpas en zorg ervoor dat de lucht onbelemmerd kan worden aangezogen en uitgeblazen. Zorg er dus voor dat aan alle kanten van het apparaat minstens 10 cm (4") vrije ruimte wordt behouden. Voor extra praktisch gebruik en mobiliteit heeft uw luchtontvochtiger 4 wieltjes. Indien u het apparaat wilt verplaatsen, dient u het eerst uit te zetten, het snoer uit het stopcontact te halen en de watertank te legen. Het gebruik van een verlengsnoer wordt afgeraden. Zorg er dus voor dat het apparaat niet te ver van een stopcontact wordt geplaatst.

Indien een verlengsnoer toch noodzakelijk blijkt te zijn,

let erop dat de diameter van de stroomkabels minstens 1 mm<sup>2</sup> bedraagt. Het beste effect wordt verkregen in een ruimte met buitendeuren en ramen gesloten wanneer de luchtontvochtiger aan staat.

### ►► 3. INSTRUCTIES VÓÓR HET GEBRUIK LET OP!



Symbolen vermeld op het apparaat hebben de volgende betekenis:

- Het apparaat is gevuld met propaan R290. De instructies van de fabrikant betreffende het gebruik en onderhoud van het apparaat dienen strikt te worden nageleefd!
- Voordat men het apparaat opstart, dient men de handleiding zorgvuldig door te lezen.
- Het apparaat mag niet worden geïnstalleerd, gebruikt of opgeslagen in een ruimte die kleiner is dan 4m<sup>2</sup>.

### ALGEMENE VEILIGHEIDSVORSCHRIFTEN

- ALLEEN VOOR BINNENGEbruik.
- Het apparaat mag niet worden gebruikt in keukenkasten, kledingkasten, op boten, in caravans of andere vergelijkbare gesloten ruimtes.
- Het apparaat mag niet worden gebruikt in de nabijheid van zwembaden, wasruimtes of andere vochtige ruimtes.
- Na het vervoer of het kantelen van het apparaat (bv. tijdens de reiniging) dient men 12 uur af te wachten voordat men het apparaat op het elektriciteitsnetwerk opnieuw aansluit.
- Het apparaat dient verticaal op een vlakke ondergrond (ook tijdens het vervoer!) te worden geplaatst waarbij men rekening houdt met een afstand van min. 50 cm tot andere voorwerpen.
- Het apparaat mag niet worden gebruikt in een mogelijk explosiegevaarlijke omgeving met ontvlambare vloeistoffen, gassen of stof.
- Het apparaat mag niet worden gebruikt in de buurt van ontvlambare of explosieve stoffen of brandstoffen. In de buurt van het apparaat mag geen verf, schoonmaakmiddelen, insecticiden of soortgelijke producten worden gespoten want dit kan leiden tot vervorming van de plastic

onderdelen of beschadiging van de elektrische installatie van het apparaat.

- ▶ Men dient een minimumafstand van 50 cm afstand te tussen de zijkanalen van het apparaat en de brandbare voorwerpen die warm kunnen worden.
- ▶ Op het apparaat mogen geen voorwerpen worden geplaatst, noch mag de luchtinlaat en -uitlaat worden bedekt.
- ▶ Bescherm het apparaat tegen spatwater.
- ▶ Houd kinderen en huisdieren die in de buurt van het werkende apparaat verblijven goed in de gaten.
- ▶ NIET TOESTAAN DAT KINDEREN MET HET APPARAAT SPELEN.
- ▶ Zonder toezicht van een volwassene mag het apparaat door kinderen niet worden gereinigd noch onderhouden.
- ▶ Het apparaat dient te worden uitgezet en losgekoppeld van de stroomvoorziening indien niet in gebruik.
- ▶ Laat het apparaat tijdens het gebruik niet onbeheerd achter.
- ▶ Trek niet aan het netsnoer om het apparaat te verplaatsen.
- ▶ Vermijd het draaien, vouwen en trekken aan het netsnoer, alsook het vastbinden ervan met nylon- of staaldraden.
- ▶ Zorg ervoor dat de stekker en het stopcontact zich op een zichtbare en gemakkelijk toegankelijke plaats bevinden.
- ▶ Gebruik geen verleng snoeren.
- ▶ Grijp in geen enkel geval naar het apparaat als het in het water is gevallen. Neem in een dergelijk geval direct de stekker uit het stopcontact. Voordat het apparaat opnieuw wordt gebruikt, dient de staat ervan te worden gecontroleerd.
- ▶ Het apparaat moet worden aangesloten in overeenstemming met de nationale voorschriften en normen voor elektrische installaties.
- ▶ Overschrijd de aanbevolen kamergrootte niet om maximale prestaties van het apparaat te behouden.
- ▶ Sluit alle ramen en deuren.
- ▶ In geval van veel zonlicht dient men gordijnen of rolgordijnen te gebruiken.
- ▶ Zorg voor schone filters.
- ▶ Wanneer de kameromstandigheden het doelniveau bereiken, dient men de instellingen voor temperatuur en luchtstroom te verlagen.
- ▶ Gebruik het apparaat niet als het apparaat, het netsnoer of de stekker ervan beschadigd zijn, het apparaat niet goed werkt of als er tekenen zijn van een andere storing. Geef het volledige apparaat aan de verkoper of een gekwalificeerde elektricien voor inspectie en/of reparatie. Gebruik alleen originele reserveonderdelen. Het apparaat (inclusief het netsnoer en de stekker) mag alleen worden gedemonteerd en/of gerepareerd door daartoe geautoriseerde en voldoende gekwalificeerde personen.
- ▶ Het wordt aanbevolen om het apparaat periodiek te inspecteren.
- ▶ HET APPARAAT MAG ALLEEN DOOR EEN GECERTIFICEERDE SERVICEMONTEUR WORDEN GEDEMONTEERD OF GEWIJZIGD.
- ▶ HET APPARAAT DIENST ALLEEN VOOR HET TOEGESTANE DOELEINDE TE WORDEN GEBRUIKT. HET GEBRUIK VAN HET APPARAAT VOOR ANDERE DOELEINDEN WORDT BESCHOUWD ALS ONJUIST GEBRUIK. IN GEVAL VAN Z'N GEBRUIK IS DE GEBRUIKER VAN HET APPARAAT EN NIET DE FABRIKANT ERVAN AANSPRAKELIJK VOOR ALLE SCHADE EN LETSELS

DIE ONTSTAAN ZIJN DOOR ONJUIST GEBRUIK.

- ▶ het apparaat moet altijd rechtop staan;
  - ▶ Stop geen vreemde voorwerpen in de openingen (lucht in- en uitlaten);
  - ▶ Controleer de netspanning. De luchtontvochtiger is uitsluitend geschikt voor de aansluitspanningen die staan aangegeven op het typeplaatje aan de achterkant van het apparaat;
  - ▶ Als de stroomkabel van de luchtontvochtiger is beschadigd, dient deze vervangen te worden door een deskundige servicemonteur om ieder risico te voorkomen;
  - ▶ zet het apparaat nooit aan en schakel het nooit uit door de stekker uit het stopcontact te trekken. Gebruik hiervoor altijd de schakelaar op het bedieningspaneel;
  - ▶ indien u het apparaat wilt verplaatsen, dient u het eerst uit te zetten, de stekker uit het stopcontact te halen en de watertank te legen;
  - ▶ gebruik geen spray tegen ongedierte of anderen brandbare schoonmaakmiddelen;
  - ▶ reinig de luchtontvochtiger nooit door het apparaat met water te besproeien of in water te dompelen.
  - ▶ DIT APPARAAT IS NIET BESTEMD VOOR GEBRUIK DOOR PERSONEN (INCLUSIEF KINDEREN) MET EEN BEPERKT LICHAAMELIJK, ZINTUIGLIJK OF GEESTELIJK VERMOGEN OF DOOR PERSONEN ZONDER ERVARING DIE NIET ZIJN GETRAIND DOOR IEMAND DIE VERANTWOORDELIJK IS VOOR HUN VEILIGHEID. LET ER OP DAT KINDEREN NIET MET HET APPARAAT SPELEN.
- ▶▶ VEILIGHEIDSVOORSCHRIFTEN KOELMIDDEL R290:**
- ▶ Lees de onderstaande waarschuwingen zorgvuldig door.
  - ▶ Het apparaat bevat het koelmiddel R290. R290 is een koelmiddel conform de betreffende Europese richtlijnen. Maak nooit gaten in het koelcircuit. Het koelmiddel R290 is brandbaar (GWP 3)!
  - ▶ Gebruik voor het ontgooiproces en reinigen geen andere middelen dan de middelen aanbevolen door de fabrikant.
  - ▶ Dit apparaat dient te worden opgeslagen in een ruimte waar zich geen bronnen van ontsteking bevinden, zoals open vuur, werkende gasapparaten of werkend elektrisch verwarmingselement.
  - ▶ Perforeer of brand geen van de onderdelen van het koelcircuit van het apparaat. Richt het licht niet rechtstreeks op het apparaat.
  - ▶ Het apparaat dient op zo een manier te worden opgeslagen dat het geen mechanische beschadigingen kan oplopen.
  - ▶ Het apparaat dient te worden geïnstalleerd, gebruikt en bewaard in een ruimte met een vloeroppervlakte die groter is dan 4m<sup>2</sup>.
  - ▶ Het koelstof kan geurloos zijn waardoor lekkage moeilijker wordt opgemerkt.
  - ▶ Men dient de nationale normen en voorschriften voor gasvormige brandstoffen.
  - ▶ Ventilatieopeningen niet blokkeren.
  - ▶ Het apparaat moet worden opgeslagen in een goed geventileerde ruimte die overeenkomt met de technische specificaties van het apparaat.
  - ▶ Personen die met een koelcircuit werken of het herstellen, dienen in het bezit te zijn van de juiste certificering die

afgegeven is door een geaccrediteerde technische instantie en die bevestigt dat de persoon in kwestie bevoegd is en koelmedia veilig kan hanteren in overeenstemming met de betreffende normen en voorschriften.

► Alle reparaties en onderhoud moeten altijd uitgevoerd worden in overeenstemming met de aanbevelingen van de fabrikant van het apparaat. Onderhoud en reparaties die de assistentie van gekwalificeerd personeel vereisen, moeten worden uitgevoerd onder toezicht van iemand die gespecialiseerd is in het gebruik van ontvlambare koelmedia.

## **BELANGRIJK!**

Het apparaat mag niet worden gebruikt bij temperaturen onder 5°C, om zo ijsafzetting op de verdamper te voorkomen.

### **►► 4. ONDERDELEN**

► Voorkant FIG. 2

1. Bedieningspaneel
2. Verlichting
3. Voorplaat
4. Achterplaat

► Achterkant FIG. 3

5. Ventilatie klep
6. Handgreep
7. Luchtinlaat /Filters
8. Kijkglas waterpeil
9. Watertank

### **►► 5. BEDIENING**

► FIG. 4

1. Knop voor het instellen van de luchtvochtigheid
2. Indicator van de werkmodus (ononderbroken, luchtvochtigheid 40%, 50%, 60%, 70%)
3. Temperatuur/luchtvochtigheid weergave
4. Indicator werking van de tijd klok
5. Knop voor temperatuur weergave
7. Indicator LUCHTONTVOCHTIGER
8. Knop LUCHTONTVOCHTIGER
9. Indicator hoge snelheid van de ventilatie
10. Regelknop snelheid/ventilatie
11. Indicator lage snelheid van de ventilatie
12. Indicator stroomvoorziening
13. Knop ON/OFF (voorziening)
14. Indicator "Vulling met water"
15. Knop KLOK

De indicator op het display kan de gemeten luchtvochtigheid in 3 verschillende kleuren tonen. Hierdoor kan de gebruiker de luchtvochtigheid binnen de ruimte snel bepalen: Blauw licht – luchtvochtigheid van de ruimte >70%  
Groen licht - luchtvochtigheid van de ruimte 50~70%  
Rood licht -luchtvochtigheid van de ruimte < 50%  
Knipperend rood licht - alarm voor hoog waterniveau.

► Bediening

1. Sluit het apparaat op het juiste stopcontact aan. (Gelieve de waarde van de spanning/frequentie controleren op de voorgeschreven typeplaat van het apparaat)
2. Druk op de knop ON/OFF om het apparaat in te schakelen. De compressor gaat aan.
3. Druk op de knop voor het instellen van de luchtvochtigheid om de werkmodus te selecteren: permanent, lucht-

vochtigheidsniveau 40%,50%, 60% of 70%. De juiste indicator voor de gegeven waarde gaat branden.

4. Druk op de knop snelheid/ventilatie om de hoge of lage snelheid van de ventilatie in te stellen. De juiste indicator voor de gegeven waarde gaat branden.

5. Druk op de knop KLOK om de verwachte werktijd (1~24 uur) in te stellen. Na het drukken op de knop KLOK, vertoont het display de geselecteerde tijd. Laat de knop los gedurende 8 seconden zodat het display teruggaat naar de weergave van de luchtvochtigheid van de ruimte. Na het verloop van het aangegeven aantal uren, gaat de compressor automatisch uit.

6. Door het drukken op de knop "TEMP" wordt de huidige temperatuur in de ruimte vertoond. Laat de knop los gedurende 8 seconden zodat het display teruggaat naar de weergave van de luchtvochtigheid van de ruimte.

7. De functie LUCHTONTVOCHTIGER zet de turbo-modus van het ventilatiesysteem aan en dit veroorzaakt het permanent afdrogen van de luchtvochtigheid. Door middel van deze functie kan men de was drogen.

8. Om het apparaat uit te zetten, druk op de knop ON/OFF.

9. Functie PRE-SET. Door middel van de knop KLOK zonder het starten van enige functies (knop ON/OFF inbegrepen) kan men de tijd van het aanzetten van het apparaat instellen, bv. als men de klok op '2' instelt, dan gaat het apparaat automatisch 2 uur later aan.

### **►► 6. WATERAFVOER**

Wanneer de watercontainer vol is, voor de beveiliging gaat de compressor automatisch uit en de indicator 'vulling met het water' gaat rood branden.

Om de watercontainer te verwijderen, til hem voorzichtig uit het apparaat.

Na het legen van de watercontainer, plaats hem weer terug. Verzekert u zich dat de watercontainer goed terug geplaatst is. Als de watercontainer goed terug geplaatst is, gaat het verklikkerlicht 'vulling met het water' uit en de luchtontvochtiger wordt gestart.

Als de watercontainer niet goed terug geplaatst is, zal de indicator 'vulling met het water' nog steeds rood branden.

### **AANSLUITEN OP EEN VASTE WATERAFVOER**

Als de luchtontvochtiger bij een hoge luchtvochtigheid wordt gebruikt, zal de watercontainer vaker dienen gelegd te worden. In een dergelijke situatie is het veel makkelijker het ononderbroken legen van de watercontainer in te stellen. Daarvoor dient men de volgende handelingen uit te voeren:

1. Verwijder de watercontainer (FIG. 5)
2. Sluit de waterafvoer aan op de luchtuitlaat van diameter: 11 mm (de waterafvoer wordt niet met het apparaat meegeleverd) (FIG. 6)
3. Verzekert u zich dat de waterafvoer goed bevestigd is en dat het water zonder obstakels weg kan lopen. Let op! Bij hele lage temperatuur dient men aanvullend de waterafvoer tegen het bevriezen te beveiligen.
4. De watercontainer op zijn plek zetten.

### **►► 7. ONDERHOUD**

Neem altijd eerst de stekker uit het stopcontact voordat u het apparaat of onderdelen hiervan gaat reinigen of vervangen.

## SCHOONMAKEN VAN DE BUITENKANT VAN HET APPARAAT

Gebruik alleen een zachte doek om de buitenkant van het apparaat schoon te maken.

Gebruik geen bijtende of agressieve schoonmaakmiddelen. Deze middelen kunnen het apparaat blijvend beschadigen.

## SCHOONMAKEN VAN HET LUCHTFILTER

Dit model van de luchtontvochtiger is uitgerust met soorten filters (FIG. 7):

### 1. LUCHTFILTER

- Verwijder de filterhouder en verwijder dan het koolstof-filter.

- Maak het filter voorzichtig schoon met de stofzuiger of spoel hem af onder de kraan. Als het filter zeer vies is, gebruik warm water met een kleine hoeveelheid van een zacht schoonmaakmiddel.

- Voor het hergebruik van het filter, verzekert u zich dat het filter helemaal droog is.

- Men dient het filter niet aan direct zonlicht bloot te stellen.

### 2. ACTIEF KOOSTOFFILTER (bestemd voor het binden van stofdeeltjes die in de lucht aanwezig zijn en voor het beperken van de vermenigvuldiging van bacteriën)

Het actieve koolstoffilter is gelegen achter het luchtfilter. In tegenstelling tot het luchtfilter kan het actieve koolstoffilter niet gereinigd worden. De duurzaamheid van het koolstoffilter hangt af van de omgevingsomstandigheden van de ruimte waar het apparaat wordt gebruikt. Het filter dient periodiek gecontroleerd te worden en als het nodig vervangen te worden.

## OPSLAG

Wanneer u de luchtontvochtiger langere tijd niet wilt gebruiken, dient het apparaat te worden uitgeschakeld. Trek het snoer uit het stopcontact en reinig het apparaat.

- ▶ Leeg de watertank en droog alle onderdelen goed.
- ▶ Bedek de luchtontvochtiger en bewaar het apparaat op een plaats waar het niet wordt blootgesteld aan direct zonlicht.

## ▶▶ 8. VERHELPEN VAN STORINGEN

### DE LUCHTONTVOCHTIGER WERKT NIET:

- ▶ Is de stekker aangesloten op een stopcontact?
- ▶ Is er stroomaansluiting in het gebouw?
- ▶ Is de kamertemperatuur 35°C of hoger? Zo ja, dan is valt dit buiten de werkingstemperatuur van het apparaat.
- ▶ Check of de hygrostaat (of de ON/OFF knop) is ingeschakeld.
- ▶ Zorg ervoor dat de watertank leeg is en goed in de luchtontvochtiger geplaatst.
- ▶ Zorg ervoor dat de luchtinlaat en -uitlaat vrij zijn.

### DE LUCHTONTVOCHTIGER LIJKT NIET GOED TE WERKEN:

- ▶ Is het filter vuil of verstopt?
- ▶ Zijn de luchtinlaat of -uitlaat geblokkeerd?
- ▶ Is het vochtigheidsgehalte van de omgeving niet al laag genoeg?

### DE LUCHTONTVOCHTIGER ONTVOCHT NIET OF SLECHTS HEEL WEINIG:

- ▶ Zijn er niet te veel deuren en ramen open?

- ▶ Is er iets in de kamer dat voor een hoog vochtigheidsgehalte zorgt?

### HET APPARAAT MAAKT VEEL LAWAAI:

- ▶ Controleer of de luchtontvochtiger stabiel is en op een vlakke ondergrond staat.

### ER LOOPT WATER UIT DE LUCHTONTVOCHTIGER:

- ▶ Controleer of the apparaat in goede technische staat is.
- ▶ Indien het apparaat niet op een vaste waterafvoer is aangesloten, dient te worden gecontroleerd of de rubberen dop aan de onderkant van het apparaat goed vastzit.

### Foutcodes op het scherm

Code	Oorzaak	Oplossing
E1	De omgevingstemperatuursensor (omhulsel: hars) is geopend of er is een storing vanwege een kortsluiting.	Controleer of de omgevings-temperatuursensor goed is aangesloten op de printplaat.
		Vervang de omgevingstemperatuursensor.
		Vervang de hoofdprintplaat.
		Het niveau van luchtvochtigheid is lager dan 40% relatieve vochtigheid.
E2	De koelsysteemsensor (omhulsel: koper) is geopend of er is een storing vanwege een kortsluiting.	Controleer of de sensor goed is aangesloten op de printplaat.
		Vervang de sensor.
		Vervang de hoofdprintplaat.
E3	De kabel van de temperatuursensor (TC) is los of beschadigd. Het apparaat zal een geluidssignaal afgeven gedurende 3 seconden en er zal de E3-foutcode elke seconde knipperen. De compressor en ventilatormotor stoppen met werken.	De sensor dient te worden gecontroleerd en vervangen.
E5	Als de temperatuursensor een temperatuur van tenminste 130°C gedurende langer dan 5 seconden meet, dan zal het apparaat een geluidssignaal afgeven gedurende 3 seconden waarbij de E5-foutcode elke seconde gaat knipperen. De compressor en ventilatormotor stoppen met werken.	In dit geval dient men het apparaat met behulp van de ON/OFF-knop uit te zetten en dan opnieuw aan te zetten om na te kijken of de E5-foutcode nog steeds aanwezig is. Indien de foutmelding niet verdwijnt, betekent dit, dat de compressoreenheid niet juist werkt. De compressor dient te worden gecontroleerd en hersteld.



# MANUAL DE INSTRUÇÕES

1...	<b>FUNCIONAMENTO</b>
2...	<b>LOCALIZAÇÃO</b>
3...	<b>RECOMENDAÇÕES ANTES DE UTILIZAR O DISPOSITIVO</b>
4...	<b>PEÇAS</b>
5...	<b>MANIPULAÇÃO</b>
6...	<b>EVACUAÇÃO DE ÁGUA</b>
7...	<b>LIMPEZA E CONSERVAÇÃO</b>
8...	<b>DETEÇÃO DE FALHAS</b>

**pt** ANTES DE UTILIZAR O DISPOSITIVO É PRECISO LER ATENTAMENTE O PRESENTE MANUAL E MANTER O DOCUMENTO PARA AS CONSULTAS FUTURAS.

## ▶▶ 1. FUNCIONAMENTO

O presente produto serve para a desumidificação do ar. Controla a humidade relativa forçando o movimento do ar através do dispositivo, e a condensação do excesso de humidade nos elementos refrigerantes. O contato com as superfícies frias provoca a condensação da humidade presente no ar. Depois, a água condensada é evacuada de forma segura até ao depósito. O ar desumidificado passa pelo condensador, donde é aquecido ligeiramente e depois volta ao local sendo que a sua temperatura fica ligeiramente aumentada.

### ▶ FIG. 1

1. Saída do ar seco,
2. Condensador,
3. Vaporizador,
4. Entrada do ar húmido,
5. Depósito de água,
6. Compressor,
7. Motor
8. Rotor do ventilador

## ▶▶ 2. LOCALIZAÇÃO

O excesso de humidade espalha-se por toda a casa da mesma forma como o faz o cheiro da cozinha durante a preparação de uma refeição. Por isso, o desumidificador deve ser colocado de tal forma que possa tratar o ar húmido de toda a casa.

Opcionalmente, se você está a experimentar problemas num ponto determinado, pode-se colocar o dispositivo cerca desse ponto e depois movê-lo a um ponto mais central. Durante a montagem do dispositivo, assegure-se de que está colocado sobre uma superfície plana mantendo-se 10 cm (4") de espaço livre por cada lado para permitir um fluxo de ar eficiente.

O presente desumidificador está equipado com rodízios para melhorar a sua mobilidade. Quando quiser mover o dispositivo, primeiro desligue-o e esvazie o depósito de água.

Não se recomenda utilizar cabos de extensão de por isso assegure-se que de o dispositivo se encontra suficientemente perto da tomada. Se for necessário utilizar um cabo de extensão, assegure-se de que o diâmetro dos fios do cabo tem um mínimo de 1 mm<sup>2</sup>.

Durante o funcionamento do desumidificador, e se for necessário, as portas externas e as janelas devem perma-

necer fechadas para garantir o maior rendimento do dispositivo.

## ▶▶ 3. RECOMENDAÇÕES ANTES DE UTILIZAR ATENÇÃO!



Os símbolos colocados no dispositivo têm o seguinte significado:

- ▶ O dispositivo contém propano R290. Observe estritamente as recomendações do fabricante no relativo ao seu manuseamento e a sua reparação!
- ▶ Antes de arrancar o dispositivo, leia atentamente o manual de instruções.
- ▶ Não instale, não utilize, nem armazene o dispositivo num local menor a 4m<sup>2</sup>.

## REGRAS DE SEGURANÇA GERAIS

- ▶ UTILIZE SÓ EM LOCAIS.
- ▶ Não utilize o dispositivo em cozinhas, armários, barcos, campers ou outros espaços fechados.
- ▶ Não utilize na proximidade de piscinas, áreas de banho ou outros locais húmidos.
- ▶ Depois do transporte ou se o dispositivo for inclinado (p. ex. durante a limpeza), espere 12 horas antes de conectar o dispositivo à rede elétrica.
- ▶ O dispositivo deve ser colocado na posição vertical, sobre uma superfície regular (também durante o transporte!) e a uma distância mínima de 50 cm de outros objetos.
- ▶ Não utilize o dispositivo em atmosferas potencialmente explosivas e que contenham líquidos, gases ou pós inflamáveis.
- ▶ Não utilize na proximidade de substâncias inflamáveis ou explosivas ou de combustíveis. Na proximidade do dispositivo, não pulverize pinturas, detergentes, inseticidas ou outras substâncias semelhantes porque podem provocar deformação dos elementos de plástico ou danificar a instalação elétrica.
- ▶ Deixe um mínimo de 50 cm de espaço livre entre os lados do dispositivo e materiais inflamáveis e que se aquecem com facilidade.
- ▶ Não coloque no dispositivo nenhuns objetos nem cubra a entrada e a saída do ar.
- ▶ Proteja o dispositivo contra salpicos.

- ▶ Vigile as crianças e os animais de estimação que permaneçam na proximidade do dispositivo.
- ▶ **NÃO PERMITA QUE AS CRIANÇAS MANIPULEM O DISPOSITIVO.**
- ▶ As crianças não devem limpar nem conservar o dispositivo sem a supervisão dos adultos.
- ▶ Desligue o dispositivo e retire-o da alimentação se souber que não o vai utilizar.
- ▶ **NÃO DEIXE O DISPOSITIVO A TRABALHAR SEM SUPERVISÃO.**
- ▶ Não tire do cabo de alimentação.
- ▶ Evite que o cabo de alimentação seja torcido, enredado ou que se tire dele nem amarre o cabo com arame metálico ou de nylon.
- ▶ Certifique-se de que a ficha e a tomada se encontrem num ponto visível e de acesso fácil.
- ▶ Não utilizar cabo de extensão.
- ▶ Não tente alcançar o dispositivo se o dito cair na água. Nesse caso, desligue imediatamente o cabo de alimentação. Antes de voltar a utilizar, controle o seu estado técnico.
- ▶ O dispositivo deve ser conectado de acordo com as leis e as normas elétricas nacionais.
- ▶ Não ultrapasse a área máxima recomendada para manter a máxima eficiência do dispositivo.
- ▶ Feche as portas e as janelas.
- ▶ No caso de um sol intenso, feche as persianas ou as cortinas.
- ▶ Cuide pela limpeza dos filtros.
- ▶ Quando as condições no local atinjam o nível desejado, diminua os valores configurados de temperatura e força do soprar.
- ▶ Não arranque o dispositivo imediatamente quando o dispositivo, o cabo de alimentação ou a tomada estiverem danificadas, o dispositivo funcionar de forma incorreta ou houver sintomas de outra falha. Entregar o dispositivo completo ao vendedor ou electricista qualificado para o seu controle e/ou reparação. Utilizar só as peças de substituição originais. O dispositivo (inclusive o cabo de alimentação e a tomada) pode ser desmontado e/ou reparado só por pessoas autorizadas e devidamente qualificadas.
- ▶ Recomenda-se realizar revisões periódicas do dispositivo.
- ▶ **O DISPOSITIVO PODE SER DESMONTADO OU MODIFICADO SÓ POR UM SERVIÇO AUTORIZADO.**
- ▶ **O DISPOSITIVO PODE SER UTILIZADO SÓ DE ACORDO COM A SUA FUNÇÃO. A SUA UTILIZAÇÃO PARA OUTROS FINS CONSIDERA-SE APLICAÇÃO INADEQUADA. TODAS AS DANIFICAÇÕES OU LESÕES PROVOCADAS PELA TAL APLICAÇÃO SERÃO DE RESPONSABILIDADE EXCLUSIVA DO UTILIZADOR E NÃO DO FABRICANTE DO DISPOSITIVO.**
- ▶ O dispositivo sempre deve permanecer na posição vertical.
- ▶ Todos os corpos estranhos devem permanecer longe dos orifícios de entrada e saída do ar.
- ▶ A alimentação elétrica deve ser conforme à especificação na placa de características na parte traseira do dispositivo.
- ▶ Se o cabo de alimentação for danificado, deve ser substituído por um serviço autorizado (e uma pessoa devidamente qualificada), para evitar riscos.
- ▶ Nunca utilize a ficha para arrancar ou apagar o dispositivo. Sempre utilize o interruptor no painel de controlo.

- ▶ Antes de mover o dispositivo, primeiro desligue-o e depois esvazie o depósito de água.
- ▶ Não se deve utilizar aerossóis contra insetos ou outros detergentes inflamáveis.
- ▶ Em nenhuma caso o dispositivo não pode ser regado ou salpicado com água.
- ▶ **O PRESENTE DISPOSITIVO NÃO DEVE SER UTILIZADO POR PESSOAS (INCLUSIVE CRIANÇAS) DE CAPACIDADES FÍSICAS, SENSÍVEIS OU MENTAIS LIMITADA OU POR PESSOAS SEM EXPERIÊNCIA OU CONHECIMENTO DO DISPOSITIVO A NÃO SER QUE SEJA SOB SUPERVISÃO OU DE ACORDO COM O MANUAL DE USUÁRIO DO DISPOSITIVO ENTREGADO PELA PESSOA RESPONSÁVEL PELA SEGURANÇA.**

#### **▶▶ REGRAS DE SEGURANÇA NO RELATIVO AO FATOR REFRIGERANTE R290:**

- ▶ Leia com atenção as seguintes advertências.
- ▶ O dispositivo contém o fator refrigerante propano R290. O fator refrigerante R290 está em conformidade com as Diretivas adequadas da UE. Não perfure o sistema refrigerante. O fator refrigerante R290 é uma substância inflamável (GWP3)!
- ▶ Não utilizar dispositivos ou meios que agilizem a descongelação nem detergentes outros que recomendados pelo fabricante.
- ▶ Armazenar o dispositivo num local sem fontes de chama (p. ex. chama aberta, dispositivos de gás a funcionar ou aquecedor elétrico).
- ▶ Não perfurar nem queimar elementos do sistema de refrigeração do dispositivo. Não projetar luz diretamente sobre o dispositivo.
- ▶ Armazenar o dispositivo de tal forma que não tenha danificações mecânicas.
- ▶ O dispositivo deve ser instalado, utilizado e armazenado num local com a superfície do chão de mais de 4m<sup>2</sup>.
- ▶ O fator refrigerante pode ser inodoro, o que dificulta a deteção de fugas.
- ▶ Observar as normas e as leis nacionais relativas às combustíveis.
- ▶ Não cobrir os orifícios de ventilação.
- ▶ O dispositivo deve ser armazenado num local bem ventilado e com uma superfície conforme com a especificação do dispositivo.
- ▶ Qualquer pessoa que realize a manipulação ou a reparação do sistema de refrigeração deve ter um certificado vigente, emitido por uma instituição técnica que confirme as suas competências no relativo à manipulação segura dos fatores refrigerantes, de acordo com as normas e as leis vigentes.
- ▶ Os trabalhos de serviço devem ser realizadas exclusivamente de acordo com as recomendações do fabricante do dispositivo. Os trabalhos e as reparações adicionais que requeiram da presença de pessoal de serviço qualificado devem ser realizados sob a supervisão de uma pessoa com competências adequadas no relativo à aplicação de fatores refrigerantes inflamáveis.

#### **IMPORTANTE!**

O dispositivo não deve ser utilizado em uma temperatura ambiente inferior a 5°C, para evitar a congelação da bobina do evaporador.

#### **▶▶ 4. PEÇAS**

- ▶ Frente FIG. 2

1. Painel de controlo
2. Iluminação
3. Placa frontal
4. Placa traseira

► Traseiro FIG. 3

5. Tapa de ventilação
6. Alça
7. Entrada do ar / Filtros
8. Visor de nível de água
9. Depósito de água

## ►► 5. MANIPULAÇÃO

► Painel de controlo FIG. 4

1. Botão de configuração de humidade
2. Indicador de modo de trabalho (contínuo, humidade 40%, 50%, 60%, 70%)
3. Ecrã de temperatura/humidade
5. Botão de visualização de temperatura
7. Indicador DESUMIDIFICADOR
8. Botão DESUMIDIFICADOR
9. Indicador de velocidade alta da ventilação
10. Botão de velocidade/ventilação
11. Indicador de velocidade baixa da ventilação
12. Indicador de alimentação
13. Botão ON/OFF (alimentação)
14. Indicador "Cheio de água"
15. Botão RELÓGIO

A luz de controlo no painel frontal do dispositivo emite luz em 3 cores diferentes em função da humidade do ar. Permite ao utilizador determinar rapidamente a humidade do ar no local.

Luz azul: humidade no local > 70%.

Luz verde: humidade no local 50-70%.

Luz vermelha: humidade no local < 50%.

Luz vermelha a piscar: alarma "Cheio de água".

### Trabalho

1. Conecte o dispositivo à tomada de alimentação adequada. (Por favor, verifique o valor de tensão/frequência na placa de características do dispositivo).
2. Apertar o botão ON/OFF para arrancar o dispositivo. O compressor arranca.
3. Aperte o botão de configuração de humidade para selecionar o modo de trabalho: 40%, 50%, 60% ou 70%. Ficará aceso o indicador adequado para o valor existente.
4. Aperte o botão de velocidade/ventilação para configurar a velocidade da ventilação alta ou baixa. Ficará aceso o indicador adequado para o valor existente.
5. Apertar o botão RELÓGIO para configurar o tempo de trabalho esperado (1-24 horas). No ecrã aparecerá o tempo selecionado. Aperte o botão RELÓGIO para modificar o horário, libere durante 8 segundos para o ecrã voltar para o modo de visualização de humidade do local. Depois de o número de horas indicado, o compressor ficará desligado automaticamente.
6. Ao apertar o botão "TEMP", ficará apresentada a temperatura atual no local. Libere o botão durante 8 segundos para o ecrã voltar para o modo de visualização da humidade do local.
7. A função DESUMIDIFICADOR ativa o modo turbo no sistema de ventilação, o que provoca a desumidificação contínua da humidade no ar. Esta função permite secar

roupa lavada.

8. Para apagar o dispositivo, aperte o botão ON/OFF.

9. A função de ativação predeterminada (PRE-SET), com o botão RELÓGIO sem ativar nenhuma das outras funções do dispositivo (também o botão ON/OFF): pode-se programar o tempo de ativação do dispositivo. Por exemplo, se você configurar o relógio para '2', o dispositivo arrancará automaticamente após 2 horas.

## ►► 6. EVACUAÇÃO DE ÁGUA

Quando o depósito de água estiver cheio, o compressor arrancará automaticamente por razões de segurança e o indicador "Cheio de água" emitirá luz vermelha.

Para tirar o depósito de água, deslize-o perpendicularmente ao dispositivo.

Depois de esvaziar o depósito de água, coloque-o novamente no seu lugar. Certifique-se de que está colocado corretamente. Se for assim, o indicador "Cheio de água" ficará apagado e o desumidificador arrancará.

Lembre que - se o depósito não estiver colocado corretamente - o indicador "Cheio de água" permanecerá aceso emitindo luz vermelha.

## ►► EVACUAÇÃO CONTÍNUA

Se o desumidificador estiver utilizado em condições de alta humidade do ar, o depósito de água deverá ser esvaziado com mais frequência. Nessa situação, é muito mais cómodo configurar a evacuação contínua do depósito. Para isso é preciso realizar as seguintes atividades:

1. Retirar o depósito de água (FIG. 5).
2. Conecte uma mangueira de água ao orifício de saída do diâmetro: 11 mm (a mangueira não está incluída) (FIG. 6).
3. Certifique-se de que está montado corretamente e a água a sair não tem obstáculos. Atenção! Em temperaturas muito baixas, a mangueira deve ser protegida de forma adicional para não sair da conexão.
4. Colocar o depósito de água no seu lugar.

## ►► 7. LIMPEZA E CONSERVAÇÃO

Antes de realizar a conservação ou a limpeza do dispositivo, deve ser sempre desligado da rede de alimentação.

### LIMPEZA DO CORPO PRINCIPAL

Para limpar o dispositivo, utilize um pano macio.

Em nenhum caso utilize substâncias voláteis químicas, detergentes, gasolina, roupa tratada quimicamente ou outras soluções de limpeza. Cada uma dessas substâncias pode danificar a carcaça do dispositivo.

### LIMPEZA DO FILTRO

Este modelo de desumidificador tem 2 tipos de filtros (FIG. 7):

#### 1. FILTRO DE PÓ

- Retire a fixação do filtro e retire o filtro de carbono ativo.
- Limpe o filtro cuidadosamente com uma aspiradora ou baixo a água da torneira. Se o filtro estiver muito sujo, aplique água morna e força moderada.
- Certifique-se de que o filtro está completamente seco antes de voltar a ser utilizado.
- O filtro não deve ter contato com a luz solar direta.

#### 2. FILTRO DE CARBONO ATIVO (para capturar partículas de pó no ar e limitar a multiplicação de bactérias).

O filtro de carbono ativo encontra-se por detrás do filtro de pó e, a diferença do outro, não se pode lavar. A duração do filtro de carbono depende das condições ambientais no

local, onde está a ser utilizado o dispositivo. O filtro deve ser controlado e substituído quando for necessário.

### ARMAZENAMENTO

Se o dispositivo não vai ser utilizado durante um tempo prolongado, deve ser desconectado. O cabo de alimentação deve ser desconectado da rede e limpo.

▶ O depósito de água deve ser esvaziado completamente e secado com pano.

▶ O dispositivo deve ser coberto e armazenado num local, onde não terá contato com raios solares diretos.

## ▶▶ 8. DETEÇÃO DE FALHAS

### O APARELHO NÃO FUNCIONA

▶ Está ligado à rede elétrica?

▶ A rede doméstica tem corrente?

▶ A temperatura ambiente tem 5°C ou mais e menos de 35°C? Se for assim, a temperatura está fora do rango de trabalho do dispositivo.

▶ Verifique que o humidóstato (ou o interruptor ON/OFF) está ligado.

▶ Verifique que o depósito de água está colocado corretamente e não está cheio.

▶ Certifique-se de que a entrada e a saída do ar não estão bloqueados.

### PARECE QUE O DISPOSITIVO NÃO ESTÁ A TRABALHAR:

▶ O filtro está sujo ou contaminado?

▶ A entrada e a saída do ar estão bloqueados?

▶ A humidade do ar no local não está demasiado baixa?

### PARECE QUE O DISPOSITIVO ESTÁ A TRABALHAR COM POUCA EFICIÊNCIA:

▶ Há muitas portas e janelas abertas?

▶ Existe no local algum fator que provoca alta humidade?

### O DISPOSITIVO EMITE DEMASIADO BARULHO:

▶ Verifique que o dispositivo está situado sobre uma superfície regular

### HÁ FUGAS DO DISPOSITIVO:

▶ Verifique que dispositivo está em bom estado técnico.

▶ Se a opção de evacuação continua de água não está a ser utilizada, certifique-se de que a tampa de borracha (no fundo do dispositivo) está no seu lugar,

## Códigos de erros no ecrã

Código	Razão	Solução
E1	O sensor de temperatura ambiente (com proteção de resina) está aberto ou funciona incorretamente por causa de um curto-circuito.	Verifique que o sensor de temperatura ambiente está conectado corretamente à placa impressa.
		Substitua o sensor de temperatura ambiente.
		Substitua a placa impressa principal.
		O nível de humidade do ar é inferior a 40% da humidade relativa.
E2	O sensor do sistema de refrigeração (com proteção de cobre) está aberto ou funciona incorretamente por causa de um curto-circuito.	Verifique que o sensor está conectado corretamente à placa impressa.
		Substitua o sensor.
		Substitua a placa impressa principal.
E3	O conduto do sensor de temperatura TC está afrouxado ou danificado. O dispositivo emitirá um sinal sonoro durante 3 segundos e o comunicado E3 piscará cada segundo. O compressor e o motor deixam de funcionar.	O sensor deve ser controlado e substituído.
E5	Se a temperatura lida pelo sensor TC for de um mínimo de 130°C durante mais de 5 segundos, o dispositivo emitirá um sinal sonoro durante 3 segundos e o comunicado E5 piscará cada segundo. O compressor e o motor deixam de funcionar.	Nesta situação desligue e volte a ligar o dispositivo com o botão ON/OFF para verificar se o comunicado E5 continuará a ser emitido. Se o erro não desaparecer, o sistema do compressor funciona incorretamente. O sistema do compressor deve ser controlado e deve ser eliminada a falha que ocorreu.



## INDHOLD

1...	<b>VIRKNING</b>
2...	<b>BELIGGENHED</b>
3...	<b>ANBEFALINGER FØR BRUG</b>
4...	<b>BESTANDSDELE</b>
5...	<b>BETJENINGSPANEL</b>
6...	<b>BORTLEDNING AF VAND</b>
7...	<b>PLEJE OG VEDLIGEHOLDELSE</b>
8...	<b>FEJLFINDING</b>

**INDEN DE BRUGER DETTE APPARAT SKAL DE LÆSE OMHYGGELIGT INSTRUKTIONEN OG HOLDE DEN TIL SENERE BRUG.**

### ►► 1. VIRKNING

Dette produkt bruges til lufttørring. Den styrer den relative fugtighed ved at sende luft gennem apparatet, hvilket fører til overdreven kondens på køleelementer. Kontakt med kolde overflader forårsager kondensering af fugtighed i luften. Derefter kan kondensvandet sikkert udledes i vandbeholderen. Den tørrede luft passerer gennem kondensatoren, hvor den bliver lidt opvarmet, og derefter indført i rummet og dens temperatur er steget en smule.

#### ► FIG. 1

1. afløb af tørt luft,
2. kondensator,
3. fordamper,
4. indløb af fugtig luft,
5. vandbeholder,
6. kompressor
7. motor
8. ventilatorrotor

### ►► 2. BELIGGENHED

Overskydende fugt vil sprede over hele huset på samme måde som duften under tilberedningen spreder rundt i lokalet. Af denne grund bør affugteren placeres sådan, så den kan hente den fugtige luft fra hele huset.

Alternativt, hvis et pågældende sted vil være problematisk, er det muligt at placere affugteren nær det sted, og derefter overføre den til et mere centralt punkt.

På tidspunktet for fastsættelsen af affugteren, sørg for, at det er placeret på en lige overflade, og på hver side af apparatet skal der være 10 cm (4 ") afstand for at muliggøre en effektiv luftstrømning.

Denne affugter er udstyret med hjul for at forbedre mobilitet. Hvis du ønsker at overflytte apparatet, skal det først slukkes og vandbeholderen bør fjernes.

Det anbefales ikke at bruge en forlængerledning, derfor skal du sørge for, at apparatet er placeret tæt nok til stikkontakten. Hvis du skal bruge en udvidelse, så sørg for, at diameteren på netledningen er mindst 1 mm<sup>2</sup>.

Under apparatets drift. Tørretumbleren, når det er nødvendigt, udvendige døre og vinduer skal lukkes for at sikre maksimal effektivitet.

### ►► 3. ANBEFALINGER FØR BRUG BEMÆRK!



Symboler, der er anbragt på apparatet, har følgende betydning:

► Apparatet er fyldt med Propan R290. Følg producentens anvisninger vedrørende apparatets betjening og reparationer!

► Læs manualen grundigt, inden apparatet startes første gang.

► Apparatet skal ikke installeres, bruges eller opbevares i et rum med et gulvareal på mindre end 4m<sup>2</sup>.

### GENERELLE SIKKERHEDSREGLER

► KUN TIL INDENDØRS BRUG.

► Apparatet skal ikke bruges i indbyggede køkkener, i skabet, på både, i campingvogne eller andre lignende lukkede rum.

► Apparatet skal ikke bruges i nærheden af svømmebassiner, i håndvaskerum og andre fugtige rum.

► Afvent 12 timer inden du tilslutter apparatet til elnettet efter enhedens transport eller hældning (fx. under rengøring).

► Opstil apparatet lodret på en jævn overflade (også under transport!) og på en afstand af mindst 50 cm fra andre genstande.

► Apparatet skal ikke bruges i en potentielt eksplosiv atmosfære indeholdende brandfarlige væsker, gasser og støv.

► Apparatet skal ikke bruges i nærheden af letantændelige eller eksplosive stoffer eller brændstoffer. Der må ikke sprøjtes maling, rensedmidler, insektbekæmpelsesmidler eller lignende stoffer i nærheden af apparatet, for det kan føre til deformation af plastdele eller beskadigelse af elinstallation.

► Der skal være mindst 50 cm frirum mellem apparatet sider og brandfarlige, selvopvarmende stoffer.

► Der må hverken anbringes andre genstande på apparatet eller tildækkes luftindtag og luftudtag.

► Beskyt apparatet mod stønk.

► Børn og dyr, der opholder sig i nærheden af det aktive rede apparat, må holdes under opsyn.

- ▶ LAD BØRNE IKKE LEGE MED APPARATET.
- ▶ Børn må ikke udføre rengøring og vedligeholdelse på apparatet uden opsyn fra voksne.
- ▶ Sluk apparatet helt og kobl den fra når den ikke er i brug.
- ▶ Apparatet skal ikke efterlades uden opsyn, når det kører.
- ▶ Træk ikke apparatet i strømledningen.
- ▶ Undgå for meget vridning, oprulning af strømledningen, undgå at trække i strømledningen eller samle den med nylon- eller ståltråd.
- ▶ Sørg for, at stik og stikdåse er placeret på et synligt og let tilgængeligt sted.
- ▶ Anvend ikke forlængerledninger.
- ▶ Ræk ikke ud efter apparatet, hvis det er faldet i vandet. I så fald skal man straks slukke for strømforsyning. Check apparatets tilstand inden den aktiveres igen.
- ▶ Apparatet skal tilsluttes i overensstemmelse med de nationale regler og elektriske standarder.
- ▶ Rumstørrelsen, der er anbefalet for apparatets maksimale effekt, må ikke overskrides
- ▶ Luk dør og vinduer.
- ▶ Ved en betydelig solindstråling træk gardiner for eller rul persienner ned.
- ▶ Sørg for, at filtre er rene.
- ▶ Når forhold inde i rummet ligger på det ønskede niveau, reduceres indstillinger for temperatur og indblæsningsstyrke.
- ▶ Apparatet må ikke aktiveres hvis selve apparatet, strømledningen eller stikket er beskadiget, apparatet fungerer forkert eller der er tegn på andre fejl. Det komplette apparat leveres enten til forhandleren eller en autoriseret elektriker med henblik på at kontrollere og/eller reparere apparatet. Anvend kun originale reservedele. Apparatet (inkl. strømledning og stik) må kun afmonteres og/eller repareres af dertil bemyndigede og kvalificerede personer.
- ▶ Det anbefales at udføre en periodisk kontrolsyn af apparatet.
- ▶ KUN AUTORISERET SERVICEMEDARBEJDER MÅ AFMONTERE ELLER MODIFICERE APPARATET.
- ▶ APPARATET MÅ KUN ANVENDES I OVERENSSTEMMELSE MED FORMÅLET. ANVENDELSE AF APPARATET TIL ANDRE FORMÅL ANSES FOR FORKERT ANVENDELSE. DET ER BRUGEREN OG IKKE PRODUCENTEN, DER ER ANSVARLIG FOR ENHVER FORM FOR TINGSKADE ELLER PERSONSKADE, DER MÅTTE OPSTÅ SOM FØLGE AF SÅDAN ANVENDELSE.
- ▶ Apparatet skal holdes i lodret position.
- ▶ Alle fremmede genstande skal holdes væk fra indløbet og afgangsluften.
- ▶ Strømforsyningen skal være i overensstemmelse med de specifikationer angivet på navnepladen på bagsiden af apparatet.
- ▶ Hvis ledningen er beskadiget, skal den udskiftes af en autoriseret service repræsentant (en person med passende kvalifikationer) for at undgå fare.
- ▶ Hvis apparatet skal tændes eller slukkes, brug aldrig stikket. Brug altid knappen på kontrolpanelet.
- ▶ Inden apparatet flyttes, skal det først deaktiveres og derefter vandbeholderen skal tømmes.
- ▶ Brug ikke aerosoler til orme eller andre brændbare rengøringsmidler.
- ▶ Under ingen omstændigheder hæld ikke eller sprøjt ikke vandet direkte på apparatet.

▶ DETTE APPARAT ER IKKE BEREGNET TIL BRUG AF PERSONER (HERUNDER BØRN) MED NEDSAT FYSISK, SENSORISK ELLER MENTAL BEGAVELSE ELLER PERSONER UDEN ERFARING, SOM IKKE HAR VÆRET TRÆNET AF DEN RETTE PERSON, SOM HAR ANSVAR FOR DERES SIKKERHED. MAN SKAL SØRGE FOR, AT BØRN IKKE LEGE MED APPARATET.

### ▶▶ SIKKERHEDSREGLER MED HENSYN TIL R290 KØLEMIDDEL:

- ▶ Læs grundigt de nedenstående advarsler.
- ▶ Apparatet indeholder en R290 kølemiddel. R290 kølemiddel lever op til de tilsvarende direktiver gældende i Den Europæiske Union. Lav ikke huller i kølesystemet. R290 kølemiddel er brandfarligt stof (GWP3)!
- ▶ Brug ikke andre redskaber eller midler for at fremskynde afrimningsprocessen eller rengøring af apparatet end dem, der er anbefalet af producenten.
- ▶ Apparatet skal opbevares i et rum uden kontinuerligt aktive antændelseskilder (fx. åben ild, et aktivt gasapparat eller et aktivt elvarmeapparat).
- ▶ Apparatets kølesystem må ikke gennembøres eller brændes. Apparatet skal ikke udsættes for direkte lys.
- ▶ Apparatet skal opbevares så der undgås mekaniske skader.
- ▶ Apparatet skal installeres, betjenes og opbevares i et rum med et gulvareal på mere end 4m<sup>2</sup>.
- ▶ Kølemiddel kan være lugtfrit, hvorved kan det være vanskeligt at finde leakager.
- ▶ Overhold de nationale standarder og forskrifter for gasbrændstoffer.
- ▶ Ventilationsåbninger må ikke tildækkes.
- ▶ Apparatet skal opbevares i et godt ventileret rum med et gulvareal svarende til de tekniske specifikationer for det pågældende apparat.
- ▶ Hver person, der udfører betjening eller reparation af kølesystemet, skal have et gyldigt certifikat udstedt af en kompetent teknisk institution, til bekræftelse af personens kvalifikationer inden for sikker håndtering af kølemidler i henhold til de gældende standarder og forskrifter.
- ▶ Servicearbejder skal udføres kun i henhold til producentens specifikationer. Håndterings- og reparationsarbejder, der kræver bistand fra en autoriseret servicepersonale, skal udføres under tilsyn fra den person, der har kompetencer inden for anvendelse af letantændelige kølemidler.

### VIGTIGT!

Udstyret bør ikke anvendes ved stuetemperatur lavere end 5°C for at forhindre isdannelse på fordampere.

### ▶▶ 4. BESTANDSDELE

- ▶ Frontside FIG. 2
  1. Kontrolpanel
  2. Baggrundsbelysning
  3. Frontplade
  4. Bagplade
- ▶ Bagside FIG. 3
  5. Luftklappe
  6. Håndtag
  7. Luftindløb / Filtre
  8. Vandniveau-vindue
  9. Vandbeholder

## ►► 5. BETJENINGSPANEL

### ► Betjeningspanel FIG. 4

1. Trykknop for fugtighedsindstilling
2. Kontrollampe for driftsmåde (kontinuerlig drift, fugtighed på 40%, 50%, 60%, 70%)
3. Temperatur-/fugtighedsdisplay
4. Kontrollampe for timerdrift
5. Trykknop for temperaturvisning
7. Kontrollampe for TØRRER
8. Trykknop for TØRRER
9. Kontrollampe for høj ventilationshastighed
10. Trykknop for hastighed/ventilation
11. Kontrollampe for lav ventilationshastighed
12. Strømindikator
13. ON/OFF trykknop
14. Kontrollampe for "fyldt Vandbeholder"
15. Trykknop for TIMER

Lysdioder på apparatets frontpanel lyser i tre forskellige farver, afhængigt af luftfugtighedsniveauet. Dermed kan brugeren hurtigt bestemme luftfugtigheden i rummet:

Blåt lys – fugtighed i rummet er > 70%

Grønt lys – fugtighed i rummet er 50~70%

Rødt lys – fugtighed i rummet er < 50%

Blinkende rødt lys – alarm for fyldt vandbeholder.

### ► Betjening:

1. Tilslut enheden den rigtige netspænding. (Check venligst værdier for spænding/frekvens på enhedens mærkeplade)
2. Tryk på ON/OFF for at starte enheden. Kompressoren er sat i gang.
3. Tryk på knappen for fugtighedsindstilling for at vælge den ønskede driftsmåde: kontinuerlig drift, fugtighed på 40%, 50%, 60% eller 70%. Kontrollampe for den valgte værdi vil lyse.
4. Tryk på knappen hastighed/ventilation for at indstille en høj eller lav ventilationshastighed. Kontrollampe for den valgte værdi vil lyse.
5. Tryk på TIMER-knappen for at indstille den ønskede driftstid (1~24 timer). Efter tryk på TIMER-knappen vil displayets vindue vise den indstillede tid, frigiv knappen for ca. 8 sekunder og displayet vil vende til visning af fugtighed i rummet. Kompressoren vil stoppe automatisk når den indstillede tid er udløbet.
6. Ved tryk på „TEMP“-knappen vil displayet vise den aktuelle temperatur i rummet, frigiv knappen for ca. 8 sekunder og displayet vil vende til visning af fugtighed i rummet.
7. TØRRER funktion aktiverer ventilationens turbo driftsmåde, hvad betyder en vedvarende tørring af luftfugtighed; funktionen tillader at tørre vasketøj indendørs.
8. For at slukke for enheden tryk på ON/OFF knappen.
9. Forindstilling (PRE-SET) – ved at trykke på TIMER-knappen kan man programmere tidspunktet for enhedens start uden at aktivere andre funktioner (heller ikke ON/OFF trykknop). Hvis man eksempelvis indstiller timeren på '2' vil enheden automatisk starte efter 2 timer.

## ►► 6. BORTLEDNING AF VAND

Når vandbeholderen er fyldt med vand stopper kompressoren automatisk og kontrollampen for fyldt vandbeholder vil lyse rødt.

For at tage vandbeholderen ud træk den vinkelret ud fra enheden.

Efter tømning af vandbeholderen placer den igen på det

sædvanlige sted. Vær sikker, at vandbeholderen er godt placeret, kontrollampen for fyldt vandbeholder vil slukke og affugteren bliver aktiveret.

Bemærk: er vandbeholderen ikke placeret rigtigt, vil kontrollampen for fyldt vandbeholder fortsat lyse rødt.

## KONTINUERLIG BORTLEDNING

Når affugteren bruges i meget høj luftfugtighed, skal vandbeholderen tømmes oftere. I den situation kan det være mere praktisk at indstille en kontinuerlig tømning af vandbeholderen ved at følge følgende procedure:

1. Tag vandbeholderen ud (Fig. 5).
2. Tilslut tømningsslangen til vandudløbet med en diameter på: 11 mm (tømningsslangen er ikke medleveret) (Fig. 6).
3. Vær sikker, at tømningsslangen er korrekt monteret og at vand kan løbe frit. Bemærk! I meget kolde vejrforhold er det nødvendigt at træffe foranstaltninger for at sikre tømningsslangen mod frysning.
4. Placer vandbeholderen på det sædvanlige sted.

## ►► 7. PLEJE OG VEDLIGEHOLDELSE

Apparatet skal altid være afbrudt fra el-nettet før rengøring.

### RENGØRING AF KASSE

For rengøring af apparatet brug en blød klud. Brug ikke flygtige kemikalier, rengøringsmidler, benzin, tøj, kemisk behandlet rensmiddel, eller andre rengøringsløsninger. Hvert af disse stoffer kan beskadige apparatets kasse.

### RENGØRING AF FILTER

Denne model af affugter er forsynet med 2 filtertyper (FIG. 7):

#### 1. STØVFILTER

- Fjern filterholderen, tag filteret med aktivt kul ud.
- Rens filteret forsigtigt med anvendelse af støvsuger eller skyl det af under vandhane. Er filteret meget forurenede brug varmt vand med en lille mængde mildt vaskemiddel.
- Vær sikker, at filteret er tørt før det bruges igen.
- Filtret må ikke udsættes for direkte sollys.

2. AKTIV KULFILTER (til optagelse af støvpartikler suspenderet i luften samt begrænsning af bakterieformering). Aktiv kulfilter er placeret under støvfilteret, og er ikke afvaskelig. Aktiv kulfilters levetid er afhængig af omgivelserforhold på det sted, hvor filteret bruges. Filtret kontrolleres periodisk og udskiftes efter behov.

### OPBEVARING

Hvis apparatet ikke anvendes i en længere periode, sluk for det. Tag strømkablet og rens det:

Vandbeholderen skal tømmes og tørres rent.

Apparatet skal dækkes og opbevares på et sted, hvor det ikke udsættes for sollys.

## ►► 8. FEJLFINDING

### APPARATET VIRKER IKKE?

- Er apparatet tilsluttet til netværket?
- Er el-forsyningen i huset?
- Er rumtemperaturen på 5° C eller større end 35° C? Hvis ja, betyder det, at temperaturen ligger uden for området af apparatets arbejde.
- Tjek, om hygrostaten (eller ON / OFF- knappen) er tændt.

- ▶ Sørg for, at vandbeholderen er placeret korrekt på apparatet, og om den er fuld.
- ▶ Sørg for, at indløbet og udløbet af luften er ikke blokeret.

#### **APPARATET VIL IKKE ARBEJDE:**

- ▶ Er filteret støvet, beskidt?
- ▶ Er luftindløbet og afløbet blokeret?
- ▶ Er luftfugtigheden ikke for lav?

#### **APPARATETS YDEEVNE ER MEGET SVAG:**

- ▶ Har du åbnet for mange døre og vinduer?
- ▶ Er der noget i rummet, der fører til høj luftfugtighed?

#### **APPARATET STØJER MEGET VED ARBEJDET:**

- ▶ Sørg for, at apparatet står på en flad overflade.

#### **UDSIVNING FRA APPARATET:**

- ▶ Sørg for, at apparatet er i god stand.
- ▶ Hvis muligheden for kontinuerlig dræning ikke anvendes, sørg for, at gummibælgen (nederst på apparatet) er på plads.

<b>Fejlkode på displayet</b>		
Kode	Årsag	Afhjælpning
E1	Føler for omgivelsestemperatur (med følerhus i harpiks) er åben eller virker ukorrekt på grund af kortslutning.	Kontroller, at føleren for omgivelsestemperatur er korrekt tilsluttet printkortet.
		Udskift føleren for omgivelsestemperatur.
		Udskift hovedprintkortet.
		Luftfugtighedsniveau er under 40% af den relative luftfugtighed.
E2	Føler for kølekreds (med følerhus i kobber) er åben eller virker ukorrekt på grund af kortslutning.	Kontroller, at føleren er korrekt tilsluttet printkortet.
		Udskift føleren.
		Udskift hovedprintkortet.
E3	Ledningen på føleren til temperaturstyring (TC) er løsnet eller beskadiget. Apparaten vil afgive et lyd-signal i 3 sekunder og E3-fejlmeddelelse vil blinke hvert sekund. Kompressoren og ventilatormotoren vil stoppe.	Føleren skal kontrolleres og udskiftes.
E5	Hvis den af TC-føler aflæste temperatur er mindst 130°C i længere end 5 sekunder, vil apparatet afgive et lyd-signal i 3 sekunder, og E5-fejlmeddelelse vil blinke hvert sekund. Kompressoren og ventilatormotoren vil stoppe. I den situation sluk for apparatet og aktiver det derefter igen med ON/OFF-tast for at kontrollere, om E5-fejlmeddelelse er fortsat vist. Hvis fejlmeddelelsen ikke forsvinder, betyder det, at kompressorsystemet virker forkert.	Kontroller kompressorsystemet og fjern fejlen.

## INSTRUKCJA OBSŁUGI

1...	<b>DZIAŁANIE</b>
2...	<b>UMIEJSCOWIENIE</b>
3...	<b>ZALECENIA PRZED UŻYCIEM URZĄDZENIA</b>
4...	<b>CZĘŚCI</b>
5...	<b>OBSŁUGA</b>
6...	<b>ODPROWADZENIE WODY</b>
7...	<b>CZYSZCZENIE I KONSERWACJA</b>
8...	<b>WYKRYWANIE USTEREK</b>

**PRZED UŻYCIEM NINIEJSZEGO URZĄDZENIA NALEŻY DOKŁADNIE ZAPOZNAĆ SIĘ Z INSTRUKCJĄ I ZACHOWAĆ JĄ DO WYKORZYSTANIA W PRZYSZŁOŚCI.**

### ►► 1. DZIAŁANIE

Niniejszy produkt służy do osuszania powietrza. Kontroluje on wilgotność względną poprzez przepuszczenie powietrza przez urządzenie, doprowadzając do skraplania się nadmiaru wilgoci na elementach chłodzących. Kontakt z zimną powierzchnią powoduje skraplanie się wilgoci w powietrzu. Następnie skroplona woda zostaje bezpiecznie odprowadzona do zbiornika wody. Wyszuszone powietrze przechodzi przez skraplacz, w którym zostaje nieznacznie ogrzane, a następnie ponownie zostaje wprowadzone do pomieszczenia, przy czym jego temperatura jest nieznacznie podwyższona.

#### ► FIG. 1

1. wylot suchego powietrza,
2. skraplacz,
3. parownik,
4. wlot wilgotnego powietrza,
5. zbiornik wodny,
6. kompresor
7. silnik
8. wirnik wentylatora

### ►► 2. UMIEJSCOWIENIE

Nadmiar wilgoci będzie rozprzestrzeniać się po całym domu w takim sam sposób jak zapach w czasie gotowania roznosi się po pomieszczeniu. Z tego powodu, osuszacz powinien być umieszczony tak, by mógł pobierać wilgotne powietrze z całego domu.

Opcjonalnie, jeśli w jednym miejscu pojawi się poważny problem, możliwe jest umieszczenie osuszacza w pobliżu tego miejsca, a następnie przeniesienie go w bardziej centralny punkt.

W czasie ustawiania osuszacza, należy upewnić się, że jest on umieszczony na równej powierzchni oraz, że z każdej strony urządzenia jest 10 cm (4") przestrzeni, aby umożliwić wydajny przepływ powietrza.

Niniejszy osuszacz wyposażony jest w kółka samonastawne, aby zapewnić jego lepszą mobilność. W momencie przemieszczania urządzenia, należy je przedtem wyłączyć, natomiast zbiornik z wodą należy opróżnić.

Nie zaleca się używania przedłużacza, w związku z tym należy upewnić się, że urządzenie znajduje się dostatecznie blisko zamocowanego gniazdka. W razie konieczności użycia przedłużacza, należy upewnić się, że średnica,

przewodów kabla wynosi co najmniej 1 mm<sup>2</sup>.

W czasie pracy osuszacza, w razie konieczności drzwi zewnętrzne i okna powinny być zamknięte, aby zapewnić jak największą wydajność urządzenia.

### ►► 3. ZALECENIA PRZED UŻYCIEM UWAGA!



Symbole umieszczone na urządzeniu mają następujące znaczenie:

- Urządzenie jest wypełnione propanem R290. Bezwzględnie przestrzegać zaleceń producenta w zakresie obsługi i napraw urządzenia!
- Przed uruchomieniem urządzenia dokładnie zapoznać się z instrukcją obsługi.
- Nie instalować, użytkować ani przechowywać urządzenia w pomieszczeniu mniejszym niż 4m<sup>2</sup>.

### OGÓLNE ZASADY BEZPIECZEŃSTWA

- TYLKO DO UŻYTKU W POMIESZCZENIACH.
- Nie używać urządzenia w zabudowie kuchennej, szafie, na łodziach, w przyczepach kempingowych lub podobnych zamkniętych przestrzeniach.
- Nie używać urządzenia w pobliżu basenów, w umywalniach ani innych wilgotnych pomieszczeniach.
- Odczekać 12 godzin przed podłączeniem urządzenia do zasilania po transporcie lub gdy zostało przechylone (np. podczas czyszczenia).
- Urządzenie ustawić w pozycji pionowej na równym podłożu (także w czasie transportu!) i w odległości co najmniej 50 cm od innych przedmiotów.
- Nie używać urządzenia w atmosferze potencjalnie wybuchowej zawierającej palne ciecze, gazy lub pyły.
- Nie używać urządzenia w pobliżu łatwopalnych lub wybuchowych substancji lub paliw. Nie rozpylać w pobliżu urządzenia farb, środków czyszczących, środków owadobójczych ani podobnych środków, ponieważ może to doprowadzić do deformacji elementów plastikowych lub uszkodzenia instalacji elektrycznej.
- Pozostawić co najmniej 50 cm wolnej przestrzeni między bokami urządzenia i łatwopalnymi, nagrzewającymi się materiałami.



- ▶ Nie umieszczać na urządzeniu żadnych przedmiotów ani nie zakrywać wlotu i wylotu powietrza.
- ▶ Chronić urządzenie przed zachlapaniem.
- ▶ Nadzorować dzieci i zwierzęta domowe przebywające w pobliżu pracującego urządzenia.
- ▶ **NIE POZWALAĆ, ABY DZIECI BAWIŁY SIĘ URZĄDZENIEM.**
- ▶ Dzieci nie mogą zajmować się czyszczeniem ani konserwacją urządzenia bez nadzoru osób dorosłych.
- ▶ Wyłączyć urządzenie i odłączyć je od zasilania, gdy nie jest używane.
- ▶ **NIE POZOSTAWIĄĆ PRACUJĄCEGO URZĄDZENIA BEZ NADZORU.**
- ▶ Nie ciągnąć urządzenia za przewód zasilający.
- ▶ Unikać nadmiernego skręcania, zwijania i ciągnięcia przewodu zasilającego ani nie związywać go drutem nylonowym lub stalowym.
- ▶ Dopilnować, aby wtyczka i gniazdo znajdowały się w widocznym i łatwo dostępnym miejscu.
- ▶ Nie stosować przedłużaczy.
- ▶ Nie sięgać po urządzenie, jeśli wpadło do wody. W takim przypadku należy natychmiast odłączyć przewód zasilający. Przed ponownym użyciem sprawdzić stan urządzenia.
- ▶ Urządzenie należy podłączyć zgodnie z krajowymi przepisami i normami elektrycznymi.
- ▶ Nie przekraczać zalecanej wielkości pomieszczenia dla maksymalnej wydajności urządzenia.
- ▶ Zamknąć drzwi i okna.
- ▶ W przypadku znacznego nasłonecznienia zaciągnąć zasłony lub opuścić żaluzje.
- ▶ Dbać o czystość filtrów.
- ▶ Gdy warunki w pomieszczeniu osiągną poziom docelowy, zmniejszyć ustawienia temperatury i siły nawiewu.
- ▶ Nie uruchamiać urządzenia, jeśli urządzenie, przewód zasilający lub wtyczka są uszkodzone, urządzenie działa nieprawidłowo lub występują oznaki innej usterki. Przekazać kompletne urządzenie sprzedawcy lub elektrykowi posiadającemu odpowiednie kwalifikacje w celu jego kontroli i/lub naprawy. Stosować wyłącznie oryginalne części zamienne. Urządzenie (włącznie z przewodem zasilającym i wtyczką) może zostać rozebrane i/lub naprawione wyłącznie przez upoważnione i odpowiednio wykwalifikowane osoby.
- ▶ Zalecane jest okresowe przeprowadzanie serwisu kontrolnego urządzenia.
- ▶ **URZĄDZENIE MOŻE ROZEBCAĆ LUB MODYFIKOWAĆ WYŁĄCZNIE CERTYFIKOWANY SERWISANT.**
- ▶ **URZĄDZENIE MOŻE BYĆ UŻYWANE TYLKO ZGODNIE Z PRZEZNACZENIEM. WYKORZYSTYWANIE GO W INNYM CELU UCHODZI ZA NIEWŁAŚCIWE ZASTOSOWANIE. ZA WSZELKIE USZKODZENIA LUB OBRAŻENIA BĘDĄCE NASTĘPSTWEM TAKIEGO POSTĘPOWANIA ODPOWIADA UŻYTKOWNIK, A NIE PRODUCENT URZĄDZENIA.**
- ▶ Urządzenie musi zawsze znajdować się w pozycji pionowej.
- ▶ Wszelkie ciała obce należy trzymać z dala od otworów wlotowych i wylotowych powietrza.
- ▶ Zasilanie elektryczne musi być zgodne ze specyfikacją wskazaną na tabliczce znamionowej z tyłu urządzenia.
- ▶ Jeżeli kabel zasilający jest uszkodzony, musi on zostać wymieniony przez autoryzowanego przedstawiciela ser-

wisu (osobę o odpowiednich kwalifikacjach), aby uniknąć zagrożenia.

- ▶ Do załączenia i wyłączenia urządzenia, w żadnym wypadku nie należy używać wtyczki. Zawsze należy używać włącznika na panelu sterowniczym.
- ▶ Przed przemieszczeniem urządzenia, należy je najpierw wyłączyć, a następnie opróżnić zbiornik z wodą.
- ▶ Nie należy stosować aerozoli na robaki lub innych łatwopalnych środków czyszczących.
- ▶ W żadnym wypadku urządzenia nie wolno polewać lub spryskiwać wodą.
- ▶ **NINIEJSZY SPRZĘT NIE JEST PRZEZNACZONY DO UŻYTKOWANIA PRZEZ OSOBY (W TYM DZIECI) O OGRANICZONEJ ZDOLNOŚCI FIZYCZNEJ, CZUCIOWEJ LUB PSYCHICZNEJ, LUB OSOBY NIE MAJĄCE DOŚWIADCZENIA LUB ZNAJOMOŚCI SPRZĘTU, CHYBA ŻE ODBYWA SIĘ TO POD NADZOREM LUB ZGODNIE Z INSTRUKCJĄ UŻYTKOWANIA SPRZĘTU, PRZEKAZANEJ PRZEZ OSOBY ODPOWIADAJĄCE ZA ICH BEZPIECZEŃSTWO.**

### ▶▶ **ZASADY BEZPIECZEŃSTWA W ODNIESIENIU DO CZYNNIKA CHŁODNICZEGO R290:**

- ▶ Dokładnie zapoznaj się z poniższymi ostrzeżeniami.
- ▶ Urządzenie zawiera czynnik chłodniczy R290. Czynnik chłodniczy R290 jest zgodny z odpowiednimi Dyrektywami Unii Europejskiej. Nie dziurawić układu chłodniczego. Czynnik chłodniczy R290 jest substancją łatwopalną (GWP3)!
- ▶ Nie stosować urządzeń ani środków do przyspieszania odmrażania lub czyszczenia urządzenia innych niż zalecane przez producenta.
- ▶ Urządzenie przechowywać w pomieszczeniu pozbawionym stałych źródeł zapłonu (np. otwarty płomień, pracujące urządzenie gazowe lub pracująca grzałka elektryczna).
- ▶ Nie przebijać ani nie opalać elementów układu chłodniczego urządzenia. Nie kierować światła prosto na urządzenie.
- ▶ Urządzenie magazynować w taki sposób, aby nie uległo uszkodzeniu mechanicznemu.
- ▶ Urządzenie powinno być zainstalowane, użytkowane oraz przechowywane w pomieszczeniu o powierzchni podłogi większej niż 4m<sup>2</sup>.
- ▶ Czynnik chłodniczy może być bezwonny, co utrudnia wykrycie nieszczelności.
- ▶ Przestrzegać krajowych norm i przepisów dla paliw gazowych.
- ▶ Nie zasłaniać otworów wentylacyjnych.
- ▶ Urządzenie przechowywać w dobrze wentylowanym pomieszczeniu o wielkości odpowiadającej specyfikacji technicznej urządzenia.
- ▶ Każda osoba zajmująca się obsługą lub naprawą układu chłodniczego powinna posiadać ważny certyfikat wydany przez odpowiednią instytucję techniczną, poświadczający kompetencje tej osoby w zakresie bezpiecznej obsługi czynników chłodniczych zgodnie z przyjętymi normami i przepisami.
- ▶ Czynności serwisowe należy przeprowadzać wyłącznie zgodnie z zaleceniami producenta urządzenia. Prace obsługowe i naprawy wymagające obecności wykwalifikowanego personelu serwisowego należy przeprowadzać pod nadzorem osoby posiadającej odpowiednie kompetencje w zakresie stosowania łatwopalnych czynników chłodniczych.

## WAŻNE!

Urządzenia nie należy używać w temperaturze pokojowej niższej niż 5°C, aby uniemożliwić oblodzenie węzownika parownicy.

### ►► 4. CZĘŚCI

#### ► Prząd FIG. 2

1. Panel sterowania
2. Podświetlenie
3. Płyta przednia
4. Płyta tylna

#### ► Tył FIG. 3

5. Kłapa wentylacyjna
6. Uchwyt
7. Wlot powietrza / Filtry
8. Okno poziomu wody
9. Zbiornik wody

### ►► 5. OBSŁUGA

#### ► Panel sterowniczy FIG. 4

1. Przycisk ustawienia wilgotności
2. Wskaźnik trybu pracy (ciągła, wilgotność 40%, 50%, 60%, 70%)
3. Wyświetlacz temperatury/wilgotności
4. Wskaźnik pracy zegara czasowego
5. Przycisk wyświetlenia temperatury
7. Wskaźnik OSUSZACZ
8. Przycisk OSUSZACZ
9. Wskaźnik wysokiej prędkości wentylacji
10. Przycisk prędkość/wentylacja
11. Wskaźnik niskiej prędkości wentylacji
12. Wskaźnik zasilania
13. Przycisk ON/OFF (zasilanie)
14. Wskaźnik „Wypełnienia Wodą”
15. Przycisk ZEGAR

Kontrolka na przednim panelu urządzenia świeci na 3 różne kolory w zależności od poziomu wilgotności powietrza. Pozwala to użytkownikowi na szybkie określenie wilgotności powietrza w pomieszczeniu:

- Światło błękitne – wilgotność pomieszczenia > 70%
- Światło zielone – wilgotność pomieszczenia 50~70%
- Światło czerwone – wilgotność pomieszczenia < 50%
- Migające światło czerwone – alarm wypełnienia wodą

#### ► Praca

1. Podłącz urządzenie do właściwego gniazda zasilającego. (Proszę sprawdzić wartości napięcia/częstotliwości na tabliczce znamionowej urządzenia).
2. Naciśnij przycisk ON/OFF aby uruchomić urządzenie. Sprężarka zacznie działać.
3. Naciśnij przycisk ustawienia wilgotności aby wybrać tryb pracy: stały, poziom wilgotności 40%, 50%, 60% lub 70%. Zaświeci się odpowiedni wskaźnik dla danej wartości.
4. Naciśnij przycisk prędkość/wentylacja by ustawić prędkość wentylacji na wysoką lub niską. Zaświeci się odpowiedni wskaźnik dla danej wartości.
5. Naciśnij przycisk ZEGAR, aby ustawić oczekiwany czas pracy (1~24 godziny) Okienko wyświetlacza wskaże aktualnie wybrany czas, naciśnij przycisk ZEGAR aby zmienić godzinę, zwolnij na 8 sekund aby okienko wróciło do trybu wyświetlania wilgotności pomieszczenia. Po upływie wska-

zanej liczby godzin, sprężarka automatycznie wyłączy się.

6. Przycisk „TEMP” spowoduje wyświetlenie aktualnej temperatury w pomieszczeniu, zwolnij na 8 sekund aby okienko wróciło do trybu wyświetlania wilgotności pomieszczenia.

7. Funkcja OSUSZACZ włącza tryb turbo układu wentylacji, co powoduje stałe osuszanie wilgoci w powietrzu, funkcja ta pozwala na suszenie prania.

8. Aby wyłączyć urządzenie, naciśnij przycisk ON/OFF.

9. Funkcja wczesnego włączenia (PRE-SET), za pomocą przycisku ZEGAR bez uruchamiania żadnych innych funkcji urządzenia (także przycisku ON/OFF), można zaprogramować czas włączenia maszyny/ Na przykład, jeśli ustawisz zegar na '2', urządzenie uruchomi się automatycznie po 2 godzinach.

### ►► 6. ODPROWADZENIE WODY

Gdy zbiornik wody jest wypełniony, sprężarka wyłączy się samoczynnie dla bezpieczeństwa, a wskaźnik wypełnienia wodą zaświeci się na czerwono.

Aby usunąć zbiornik wody, wysuń go prostopadle z urządzenia.

Po opróżnieniu zbiornika wody, umieść go z powrotem na jego miejscu. Upewnij się, że jest on właściwie umieszczony, wtedy kontrolka zapełnienia wodą zgaśnie i osuszacz włączy się.

Zauważ, że jeśli zbiornik nie zostanie prawidłowo włożony, wskaźnik zapełnienia wciąż będzie się świecił na czerwono.

### CIĄGŁE ODPROWADZENIE

Jeśli osuszacz jest użytkowany w warunkach wysokiej wilgotności powietrza, zbiornik wody wymagać będzie częstszego opróżniania. W takiej sytuacji znacznie wygodniej jest ustawić ciągłe opróżnianie zbiornika, w tym celu należy wykonać następujące czynności:

1. Usuń zbiornik wody (FIG. 5).
2. Podłącz przewód na wodę do otworu wylotowego o średnicy: 11 mm (przewód nie jest dostarczony w komplecie z urządzeniem) (FIG. 6).
3. Upewnij się, że przewód jest właściwie przymocowany i woda ścieka bez przeszkód. Uwaga! W bardzo niskich temperaturach należy dodatkowo zabezpieczyć przewód przed wypadnięciem.
4. Umieść zbiornik wody na jego miejscu.

### ►► 7. CZYSZCZENIE I KONSERWACJA

Przed wykonaniem konserwacji lub czyszczenia urządzenia należy je zawsze odłączyć od sieci zasilającej.

#### CZYSZCZENIE KORPUSU

Aby oczyścić urządzenie, należy użyć miękkiej szmatki. W żadnym wypadku nie należy używać lotnych substancji chemicznych, detergentów, benzyny, ubrań poddanych obróbce chemicznej, lub innych roztworów czyszczących. Każda z tych substancji może uszkodzić obudowę urządzenia.

#### CZYSZCZENIE FILTRA

Ten model osuszacza wyposażony jest w 2 rodzaje filtrów (FIG. 7):

##### 1. FILTR PRZECIWPYŁOWY

- Zdejmij mocowanie filtra, usuń filtr z aktywnym węglem.
- Delikatnie oczyść filtr za pomocą odkurzacza lub spłukując

pod kranem. Jeśli filtr jest bardzo zabrudzony, użyj ciepłej wody i niewielkiej ilości siły.

- Upewnij się, że filtr jest zupełnie suchy przed jego ponownym użyciem.

- Nie należy wystawiać filtra na działanie bezpośredniego światła słonecznego.

**2. AKTYWNY FILTR WĘGLOWY** (do wiązania cząstek kurzu zawierzonych w powietrzu oraz ograniczania namnażania się bakterii).

Aktywny filtr węglowy znajduje się za filtrem przeciwpyłowym, w przeciwieństwie do niego, nie jest on zmywalny. Trwałość filtra węglowego zależy od warunków środowiskowych w miejscu, gdzie używane jest urządzenie. Filtr należy okresowo sprawdzać i wymieniać w razie potrzeby.

## **PRZECHOWYWANIE**

Jeżeli urządzenie nie jest używane przez dłuższy okres czasu, należy je wyłączyć. Kabel zasilający należy odłączyć i oczyścić:

- ▶ Należy całkowicie opróżnić zbiornik wodny i wytrzeć do czysta.
- ▶ Urządzenie należy przykryć i przechowywać w miejscu, w którym nie będzie narażone na promienie słoneczne.

## **▶▶ 8. WYKRYWANIE USTEREK**

### **URZĄDZENIE NIE DZIAŁA:**

- ▶ Czy urządzenie jest podłączone do sieci?
- ▶ Czy włączona jest elektryczność w domu?
- ▶ Czy temperatura pokojowa wynosi 5°C lub więcej niż 35°C? Jeżeli tak, to jest to temperatura poza zakresem roboczym urządzenia.
- ▶ Należy upewnić się czy humidostat (lub przełącznik ON/OFF) jest załączony.
- ▶ Należy sprawdzić czy zbiornik wodny jest umiejscowiony prawidłowo w urządzeniu i czy nie jest pełny.
- ▶ Należy upewnić się, że wlot i wylot powietrza nie są zablokowane.

### **URZĄDZENIE WYDAJE SIĘ NIE PRACOWAĆ:**

- ▶ Czy filtr jest zapyłony, zabrudzony?
- ▶ Czy wlot powietrza i wylot są zablokowane?
- ▶ Czy wilgotność otoczenia nie jest już zbyt niska?

### **URZĄDZENIE WYDAJE SIĘ PRACOWAĆ NIEWYDAJNIE:**

- ▶ Czy otwartych jest zbyt wiele drzwi i okien?
- ▶ Czy w pomieszczeniu jest coś, co wywołuje dużą wilgotność?

### **URZĄDZENIE JEST ZBYT HAŁĄŚLIWE:**

- ▶ Należy sprawdzić czy urządzenie stoi na równej powierzchni

### **URZĄDZENIE PRZECIEKA:**

- ▶ Należy upewnić się, że urządzenie jest w dobrym stanie technicznym.
- ▶ Jeżeli opcja ciągłego odprowadzania wody nie jest wykorzystywana, należy upewnić się, że gumowa zaślepka (na dole urządzenia) jest na swoim miejscu,

<b>Kody błędów na wyświetlaczu</b>		
<b>Kod</b>	<b>Przyczyna</b>	<b>Rozwiązanie</b>
E1	Czujnik temperatury otoczenia (z osłoną z żywicy) jest otwarty lub działa nieprawidłowo w wyniku zwarcia	Sprawdzić czy czujnik temperatury otoczenia jest prawidłowo podłączony do płytki drukowanej.
		Wymienić czujnik temperatury otoczenia.
		Wymienić główną płytkę drukowaną.
E2	Czujnik układu chłodniczego (z osłoną miedzianą) jest otwarty lub działa nieprawidłowo w wyniku zwarcia	Sprawdzić czy czujnik jest prawidłowo podłączony do płytki drukowanej.
		Wymienić czujnik.
		Wymienić główną płytkę drukowaną.
E3	Przewód czujnika temperatury TC jest poluzowany lub uszkodzony. Urządzenie będzie wydawać sygnał dźwiękowy przez 3 sekundy, a komunikat E3 będzie mrugał co sekundę. Sprężarka i silnik wentylatora przestaną pracować.	Czujnik należy skontrolować i wymienić.
E5	Jeśli temperatura odczytana przez czujnik TC wynosi co najmniej 130°C przez dłuższą niż 5 sekund, urządzenie będzie wydawać sygnał dźwiękowy przez 3 sekundy, a komunikat E5 będzie mrugał co sekundę. Sprężarka i silnik wentylatora przestają pracować.	W tej sytuacji wyłączyć i ponownie włączyć urządzenie przyciskiem ON/OFF w celu sprawdzenia, czy komunikat E5 będzie nadal wyświetlany. Jeśli błąd nie zniknie, oznacza to, że układ sprężarki działa nieprawidłowo. Układ sprężarki należy skontrolować i usunąć usterkę.



## СОДЕРЖАНИЕ

1...	<b>ПРИНЦИП ДЕЙСТВИЯ</b>
2...	<b>РАСПОЛОЖЕНИЕ</b>
3...	<b>РЕКОМЕНДАЦИИ ПЕРЕД ПРИМЕНЕНИЕМ</b>
4...	<b>ЧАСТИ</b>
5...	<b>ОБСЛУЖИВАНИЕ</b>
6...	<b>ОТВОД ВОДЫ</b>
7...	<b>ТЕХОБСЛУЖИВАНИЕ И СОДЕРЖАНИЕ</b>
8...	<b>ОБНАРУЖЕНИЕ НЕИСПРАВНОСТЕЙ</b>

**ПЕРЕД ПРИМЕНЕНИЕМ ДАННОГО ОБОРУДОВАНИЯ СЛЕДУЕТ ВНИМАТЕЛЬНО ИЗУЧИТЬ ДАННУЮ ИНСТРУКЦИЮ И СОХРАНИТЬ ЕЕ С ЦЕЛЬЮ ДАЛЬНЕЙШЕГО ИСПОЛЬЗОВАНИЯ.**

### ►► 1. ПРИНЦИП ДЕЙСТВИЯ

Данное оборудование предназначено для осушения воздуха. При прохождении воздуха через осушитель, контролируется его относительная влажность, а на охлаждающих элементах конденсируется избыточная влажность. Контакт с холодной поверхностью приводит к конденсации паров воды в воздухе. Далее сконденсированная вода безопасным способом отводится в резервуар для воды. Осушенный воздух проходит через конденсатор, в котором он незначительно подогревается, а далее опять попадает в помещение, причем его температура на выходе немного повышается.

#### ► FIG. 1

1. СУХОЙ ТЕПЛЫЙ ВОЗДУХ,
2. КОНДЕНСАТОР,
3. ИСПАРИТЕЛЬ,
4. ВОЗДУХ, НАСЫЩЕННЫЙ ВЛАЖНОСТЬЮ,
5. РЕЗЕРВУАР ДЛЯ ВОДЫ,
6. КОМПРЕССОР,
7. ДВИГАТЕЛЬ
8. РОТОР ВЕНТИЛЯТОРА

### ►► 2. РАСПОЛОЖЕНИЕ

Избыток влажности распространится по всему помещению таким же образом, как запах во время приготовления. Поэтому, осушитель должен быть расположен так, чтобы поглощать влажность со всего помещения.

Если в одном месте появится повышенная потребность поглощения влажности, осушитель можно установить вблизи этого места, а позже переставить его в центр помещения.

Во время установки осушителя, следует убедиться, что он расположен на ровной поверхности, а также в том, что с каждой стороны прибора есть 10 см (4") пространства для обеспечения эффективного потока воздуха.

Данный осушитель имеет самоустанавливающиеся колеса, чтобы обеспечить его лучшую мобильность. Перед перемещением прибора, его следует выключить, а резервуар для воды опорожнить.

Не рекомендуется использовать удлинитель, в связи

с этим следует убедиться, что прибор находится достаточно близко от электрического гнезда. В случае необходимости использования удлинителя, следует убедиться, что диаметр проводов составляет не менее 1 мм<sup>2</sup>.

Во время работы осушителя, в случае необходимости внешние двери и окна должны быть закрыты, чтобы обеспечить максимальную эффективность прибора.

### ►► 3. РЕКОМЕНДАЦИИ ПЕРЕД ПРИМЕНЕНИЕМ ВНИМАНИЕ!



Символы, размещенные на устройстве, имеют следующее значение:

- Устройство наполнено пропаном R290. Неукоснительно выполнять указания производителя относительно эксплуатации и ремонта устройства!
- Прежде чем включить устройство, следует подробно ознакомиться с руководством по эксплуатации.
- Не устанавливать, не использовать и не хранить устройство в помещении меньшим, чем 4м<sup>2</sup>.

#### **ОБЩИЕ ПРАВИЛА ТЕХНИКИ БЕЗОПАСНОСТИ**

- ТОЛЬКО ДЛЯ ИСПОЛЬЗОВАНИЯ В ПОМЕЩЕНИЯХ.
- Не использовать устройство в кухонной застройке, в шкафах, на яхтах, в кемпинговых прицепах либо в подобных местах и помещениях.
- Не использовать устройство вблизи бассейнов, в ванных комнатах и других влажных помещениях.
- После транспортировки устройства либо если оно находилось в наклонном положении (во время чистки), то перед подключением его к электросети следует подождать 12 часов.
- Устройство устанавливать в вертикальном положении на ровном основании (также во время транспортировки) и на расстоянии не менее 50 см от других предметов.
- Не использовать устройство в потенциально взрывоопасной атмосфере, содержащей горючие жидкости, газы либо пыль.
- Не использовать устройство вблизи легковоспламеняющихся, взрывоопасных веществ либо емкостей с топливом. Не распылять вблизи

устройства красок, чистящих, инсектицидных и тому подобных средств, так как это может привести к деформации пластиковых элементов либо повреждению электрической инсталляции.

► При установке устройства оставить не менее 50 см между его боками и соседними легковоспламеняющимися материалами.

► Не помещать на устройстве никаких предметов и не закрывать входа и выхода воздуха.

► Предохранять устройство от брызг.

► Следить за детьми и домашними животными, находящимися вблизи работающего устройства.

► НЕ РАЗРЕШАТЬ ДЕТЯМ ИГРАТЬ С УСТРОЙСТВОМ.

► Дети не могут заниматься чисткой и консервацией устройства без присмотра взрослых лиц.

► Выключить устройство и отключить его от электросети, если оно не используется.

► Не оставлять работающее устройство без присмотра.

► Нельзя перемещать устройство, держа его за сетевую кабель.

► Следует избегать чрезмерного скручивания, сворачивания и растягивания сетевого кабеля и не связывать его нейлоновой либо стальной проволокой.

► Следует проследить за тем, чтобы штепсельная вилка и электрическая розетка находились на видном и хорошо доступном месте.

► Не использовать удлинители.

► Не лезть за работающим устройством, упавшим в воду. В таком случае следует безотлагательно отключить сетевой кабель от электросети. Перед дальнейшим использованием проверить рабочее состояние устройства.

► Устройство следует подключить в соответствии с национальными правилами и электрическими нормами.

► Не превышать величины помещения, рекомендуемой для максимальной производительности устройства.

► Закрывать двери и окна.

► В случае слишком яркого солнечного света следует закрыть шторы либо опустить жалюзи.

► Следует поддерживать чистоту фильтров.

► Когда условия в помещении достигнут целевых параметров, следует снизить настройки температуры и силы подачи воздуха.

► Не включать устройство, если оно, сетевой кабель либо штепсельная вилка повреждены, если устройство работает ненормально либо на лицо симптомы другой неполадки. Передать комплектное устройство продавцу либо электрику, обладающему соответствующей квалификацией с целью его проверки либо ремонта. Применять только оригинальные запчасти. Разбирать и/или ремонтировать устройство (вместе с сетевым кабелем и штепсельной вилкой) может исключительно уполномоченное и соответственно квалифицированное лицо.

► Рекомендуется периодически выполнять сервисное обслуживание и техосмотры устройства.

► РАЗБИРАТЬ ЛИБО МОДИФИЦИРОВАТЬ УСТРОЙСТВО МОЖЕТ ИСКЛЮЧИТЕЛЬНО АТТЕСТОВАННЫЙ РАБОТНИК СЕРВИСНОГО ЦЕНТРА.

► УСТРОЙСТВО МОЖЕТ ИСПОЛЬЗОВАТЬСЯ ТОЛЬКО ПО НАЗНАЧЕНИЮ. ИСПОЛЬЗОВАНИЕ ЕГО С ДРУГОЙ ЦЕЛЮ СЧИТАЕТСЯ НЕПРАВИЛЬНЫМ

ПРИМЕНЕНИЕМ. ЗА ВСЯЧЕСКИЕ ПОВРЕЖДЕНИЯ ЛИБО ТРАВМЫ, ПОЛУЧЕННЫЕ ВСЛЕДСТВИЕ ТАКОГО ДЕЙСТВИЯ, ОТВЕТСТВЕННОСТЬ НЕСЕТ ПОЛЬЗОВАТЕЛЬ, А НЕ ИЗГОТОВИТЕЛЬ УСТРОЙСТВА.

► Сушитель должен находиться в вертикальном положении.

► Все посторонние предметы следует хранить вдали от входных и выходных отверстий воздуха.

► Электропитание должно соответствовать спецификации, указанной на информационном щитке на задней стенке прибора.

► Если провод питания поврежден, во избежание угрозы его должен заменить авторизованный представитель сервисного обслуживания или лицо с соответствующими квалификациями.

► Для включения и выключения прибора, ни в коем случае не следует пользоваться штепсельной вилкой. Всегда следует пользоваться выключателем на панели управления.

► Перед перемещением прибора, его следует сначала выключить и опорожнить резервуар для воды.

► Не следует применять аэрозолей и других легковоспламеняющихся чистящих средств.

► Ни в коем случае прибор нельзя поливать или обрызгивать водой.

► ДАННОЕ ОБОРУДОВАНИЕ НЕ МОЖЕТ ОБСЛУЖИВАТЬСЯ ЛИЦАМИ(ВКЛЮЧАЯ ДЕТЕЙ) С ОГРАНИЧЕННЫМИ ФИЗИЧЕСКИМИ, РЕЦЕПТОРНЫМИ ИЛИ УМСТВЕННЫМИ СПОСОБНОСТЯМИ, ЛИБО ЛИЦАМИ, НЕ ИМЕЮЩИМИ НЕОБХОДИМОГО ОПЫТА И НЕ ПРОШЕДШИМИ СПЕЦИАЛЬНОГО ОБУЧЕНИЯ У ЛИЦ, НЕСУЩИХ ОТВЕТСТВЕННОСТЬ ЗА ИХ БЕЗОПАСНОСТЬ. СЛЕДУЕТ СЛЕДИТЬ ЗА ТЕМ, ЧТОБЫ ДЕТИ НЕ ИГРАЛИ С ОБОРУДОВАНИЕМ.

**►► ПРАВИЛА ТЕХНИКИ БЕЗОПАСНОСТИ ПО ОТНОШЕНИЮ К ХЛАДАГЕНТУ R290:**

► Следует тщательно ознакомиться с нижеуказанными предостережениями.

► Устройство содержит хладагент R290. Хладагент R290 соответствует установленным Директивам Европейского Союза. Нельзя дырять охлаждающую систему. Хладагент R290 является легковоспламеняющимся веществом (GWP3)!

► Не использовать средства для ускорения размораживания либо чистки устройства, не рекомендованные производителем.

► Устройство хранить в помещении, где отсутствуют постоянные источники возгорания (например открытый огонь, работающее газовое устройство либо работающий электрический нагреватель).

► Не пробивать и не отапливать элементы системы охлаждения устройства. Не направлять свет непосредственно на устройство.

► Устройство складировать таким образом, чтобы оно не подверглось механическому повреждению.

► Оборудование следует устанавливать, использовать и хранить в помещении площадью более 4м<sup>2</sup>.

► Хладагент может не иметь запаха, что затрудняет обнаружение утечки.

► Следует соблюдать национальные нормы и правила использования газового топлива.

► Не следует заслонять вентиляционные отверстия.

► Устройство хранить в хорошо вентилируемом

помещении, имеющем размеры, соответствующие технической спецификации устройства.

► Каждое лицо, занимающееся эксплуатацией либо ремонтом системы охлаждения, должно иметь действительный сертификат, выданный соответствующей технической институцией, удостоверяющий компетенцию этого лица в вопросах безопасной эксплуатации хладагентов согласно принятым нормам и правилам.

► Сервисное обслуживание следует выполнять исключительно в соответствии с указаниями производителя устройства. Сервисные и ремонтные работы, требующие присутствия квалифицированного сервисного персонала, следует выполнять под надзором лица, имеющего соответствующую компетентность в вопросах использования легковоспламеняющихся хладагентов.

### **ВАЖНО!**

Прибором не следует пользоваться при температуре ниже 5°C, чтобы исключить оледенение испарителя.

### **►► 4. ЧАСТИ**

► Передняя часть FIG. 2

1. Панель управления
2. Подсветка
3. Передняя панель
4. Задняя панель

► Задняя часть FIG. 3

5. Вентиляционный клапан
6. Ручка
7. Вход воздуха / Фильтры
8. Окно регулирования уровня воды
9. Резервуар для воды

### **►► 5. ОБСЛУЖИВАНИЕ**

► Панель управления FIG. 4

1. Кнопка настройки уровня влажности
2. Индикатор режима работы (непрерывный, влажность 40%, 50%, 60%, 70%)
3. Дисплей температуры/влажности
4. Индикатор работы таймера
5. Кнопка индикации температуры
7. Индикатор ОСУШИТЕЛЬ ВОЗДУХА
8. Кнопка ОСУШИТЕЛЬ ВОЗДУХА
9. Индикатор высокой скорости вращения вентилятора
10. Кнопка скорость/вентиляция
11. Индикатор низкой скорости вращения вентилятора
12. Индикатор питания
13. Кнопка ON/OFF (питание)
14. Индикатор «Уровень заполнения водой»
15. кнопка ВРЕМЯ

Контрольная лампочка на передней панели устройства светится 3 различными цветами, в зависимости от уровня влажности воздуха. Это позволяет пользователю быстро определить уровень влажности воздуха в помещении:

Синий свет – влажность помещения > 70%

Зеленый свет – влажность помещения 50~70%

Красный свет – влажность помещения < 50%

Мигающий красный свет – сигнал, информирующий о наличии воды в резервуаре.

► Обслуживание

1. Подключите устройство к соответствующей сети питания. (Необходимо проверить напряжение/частоту

на заводской табличке прибора).

2. Нажмите кнопку ON/OFF, чтобы включить устройство. Компрессор начнет работать.

3. Нажмите кнопку настройки уровня влажности, чтобы выбрать режим работы: непрерывный, уровень влажности 40%, 50%, 60% или 70%. Загорится соответствующий индикатор для данного значения.

4. Нажмите кнопку скорость/вентиляция, чтобы выбрать высокую или низкую скорость вращения вентилятора. Загорится соответствующий индикатор для данного значения.

5. Нажмите кнопку ВРЕМЯ, чтоб настроить необходимое время работы (1~24 часа). После нажатия кнопки ВРЕМЯ на дисплее высветится актуально выбранное время, отпустите кнопку на 8 секунд, чтобы окно вернулось в режим индикации уровня влажности в помещении. По истечении указанного времени компрессор автоматически выключится.

6. После нажатия кнопки „TEMP” на экране высветится текущая температура в помещении, после отпущения кнопки на 8 секунд кнопки, окно вернется в режим индикации влажности воздуха в помещении.

7. Функция ОСУШИТЕЛЬ ВОЗДУХА включает режим турбо системы вентиляции, после чего включается непрерывное удаление влаги воздуха, эта функция позволяет сушить выстиранные вещи.

8. Чтобы выключить устройство, нажмите кнопку ON/OFF.

9. Функция предварительной настройки включения (PRE-SET), при помощи кнопки ВРЕМЯ без включения каких-либо других функций устройства (также кнопки ON/OFF), можно запрограммировать время включения устройства / Например, если настроить время на '2', устройство автоматически включится через 2 часа.

### **►► 6. ОТВОД ВОДЫ**

Если резервуар с водой заполнен, компрессор автоматически выключится в целях безопасности, а индикатор уровня воды загорится красным цветом.

Чтоб вынуть резервуар с водой его следует выдвинуть перпендикулярно из устройства.

После удаления из резервуара воды, его следует установить обратно. Проверьте правильность его установки - лампочка, сигнализирующая о заполненности резервуара водой, погаснет и включится осушитель воздуха.

Обратите внимание, если резервуар будет установлен неправильно, индикатор уровня воды будет гореть красным светом.

### **НЕПРЕРЫВНЫЙ ОТВОД**

Если осушитель воздуха используется в условиях высокой влажности воздуха, резервуар с водой необходимо чаще опорожнять. В этом случае более удобно будет предусмотреть постоянное опорожнение резервуара, для этого необходимо выполнить следующие действия:

1. Выньте резервуар с водой (Рис. 5).

2. Подсоедините водопровод к выпускному отверстию диаметром: 11 мм (провод не поставляется в комплекте с устройством) (Рис. 6).

3. Проверьте, чтобы провод был правильно закреплен и вода вытекала без препятствий. Внимание! При очень низких температурах необходимо дополнительно защитить провод от замерзания.

4. Вставьте резервуар с водой обратно в устройство.

## ►► 7. ТЕХОБСЛУЖИВАНИЕ И СОДЕРЖАНИЕ

Перед проведением техобслуживания или очистки осушитель следует всегда отключать от сети электропитания.

### ОЧИСТКА КОРПУСА

Для очистки осушителя следует пользоваться мягкой салфеткой.

Ни в коем случае не следует применять легко улетучивающиеся химические вещества, детергенты, бензин, одежду после химической обработки или другие чистящие растворы. Каждое из этих веществ может повредить корпус прибора.

### ОЧИСТКА ФИЛЬТРА

Данная модель осушителя воздуха оборудована двумя видами фильтров (FIG. 7):

#### 1. ПРОТИВОПЫЛЬНЫЙ ФИЛЬТР

- Снимите крепление фильтра, выньте фильтр с активным углем.

- Аккуратно очистите фильтр при помощи пылесоса или промойте его под проточной водой. Если фильтр очень загрязнен, промойте его при помощи теплой воды и небольшого количества неагрессивного моющего средства.

- Убедитесь, что фильтр полностью сухой, перед его повторным использованием.

- Необходимо избегать воздействия прямых солнечных лучей на фильтр.

2. АКТИВНЫЙ УГОЛЬНЫЙ ФИЛЬТР (для связывания частиц пыли, содержащейся в воздухе, а также предотвращения размножения бактерий).

Активный угольный фильтр расположен за противопылевым фильтром, в отличие от него, его нельзя мыть. Срок службы угольного фильтра зависит от условий окружающей среды в месте, в котором работает устройство. Фильтр необходимо периодически проверять и заменять в случае необходимости.

### ХРАНЕНИЕ

Если осушитель не будет эксплуатироваться в течение длительного периода, его следует выключить. Провод электропитания следует отключить и очистить:

► Резервуар для воды следует полностью опорожнить и вытереть насухо.

► Прибор следует прикрыть и хранить в месте, где нет воздействия прямых солнечных лучей.

## ►► 8. ОБНАРУЖЕНИЕ НЕИСПРАВНОСТЕЙ ОСУШИТЕЛЯ НЕ РАБОТАЕТ:

► Подключено ли оборудование к сети?

► Включено ли электропитание в здании/помещении?

► Не превышает ли комнатная температура диапазон 5°C - 35°C? Если превышает, то осушитель не может работать в таких условиях.

► Следует убедиться, что гигростат (или переключатель ON/OFF) включен.

► Следует проверить, расположен ли резервуар для воды в осушителе правильно и не переполнен ли он.

► Следует убедиться, что вход и выход воздуха не заблокированы.

### ОСУШИТЕЛЬ ВОЗМОЖНО НЕ РАБОТАЕТ:

► Не загрязнен ли фильтр?

► Заблокирован ли вход и выход воздуха?

► Не слишком ли низкая влажность окружающей среды?

### ОСУШИТЕЛЬ ОБНАРУЖИВАЕТ ПРИЗНАКИ НЕ ЭФФЕКТИВНОЙ РАБОТЫ:

► Открыты ли окна и двери?

► Есть ли в помещении объект, вызывающий большую влажность?

### ОСУШИТЕЛЬ РАБОТАЕТ СЛИШКОМ ГРОМКО:

► Следует проверить, расположен ли прибор на ровной поверхности

### ОСУШИТЕЛЬ ПРОТЕКАЕТ:

► Следует убедиться, что оборудование находится в хорошем техническом состоянии.

► Если опция непрерывного отвода воды не используется, следует убедиться, что резиновая заглушка (в нижней части прибора) находится на своем месте.

### Коды ошибок на дисплее

Код	Причина	Решение
E1	Датчик температуры окружающей среды (с прикрытием из смолы) открыт или действует неправильно в результате короткого замыкания	Проверить, правильно ли подсоединен датчик температуры окружающей среды к печатной плате.
		Заменить датчик температуры окружающей среды.
		Заменить главную печатную плату.
E2	Датчик системы охлаждения (с медным прикрытием) открыт или действует неправильно в результате короткого замыкания	Проверить, правильно ли подсоединен датчик к печатной плате.
		Заменить датчик.
		Заменить главную печатную плату.
E3	Кабель датчика управления температурой (ТС) плохо подключен либо поврежден. Устройство будет издавать звуковой сигнал в течение 3 секунд, а сообщение E3 будет мигать ежесекундно. Компрессор и двигатель вентилятора перестанут работать.	Датчик следует проверить и заменить на новый.
E4	Если температура, считанная датчиком ТС, держится на уровне как минимум 130°C в течение более 5 секунд, устройство будет издавать звуковой сигнал в течение 3 секунд, а сообщение E5 будет мигать ежесекундно. Компрессор и двигатель вентилятора перестанут работать.	В этой ситуации следует выключить и вновь включить устройство нажатием кнопки ON/OFF для того, чтобы проверить, будет ли и далее отображаться сообщение E5. Если ошибка не исчезнет, это будет означать, что система компрессора работает неправильно. Систему компрессора следует проверить и устранить неисправность.



## NÁVOD K OBSLUZE

1...	<b>FUNKCE</b>
2...	<b>UMÍSTĚNÍ</b>
3...	<b>DOPORUČENÍ PŘED POUŽITÍM</b>
4...	<b>SOUČÁSTI</b>
5...	<b>OBSLUHA</b>
6...	<b>ODVOD VODY</b>
7...	<b>ÚDRŽBA A ČIŠTĚNÍ</b>
8...	<b>ZJIŠŤOVÁNÍ ZÁVAD</b>

**PŘED POUŽITÍM TOHOTO ZAŘÍZENÍ JE NUTNÉ DŮKLADNĚ SE SEZNÁMIT S NÁVODEM A USCHOVAT JEJ PRO BUDOUCÍ POUŽITÍ.**

### ►► 1. FUNKCE

Toto zařízení je určeno k vysoušení vzduchu. Kontrola relativní vlhkosti probíhá průtokem vzduchu přes zařízení, který způsobuje zkapalnění přebytku vlhkosti na chladicích částech. Kontakt se studeným povrchem způsobuje zkapalnění vlhkosti ve vzduchu. Potom zkapalněná voda je bezpečně odvedena do zásobníku na vodu. Vysušený vzduch proudí výparníkem, v němž se nepatrně ohřívá, a potom je opětovně veden do místnosti, přičemž jeho teplota je nepatrně vyšší.

#### ► FIG. 1

1. SUCHÝ TEPLEJŠÍ VZDUCH,
2. KONDENZÁTOR,
3. VÝPARNÍK,
4. VLHKÝ NASYCENÝ VZDUCH,
5. ZÁSOBNÍK NA VODU,
6. KOMPRESOR
7. MOTOR
8. ROTOR DEL VENTILADOR

### ►► 2. UMÍSTĚNÍ

Nadbytek vlhkosti se bude šířit po celém domě stejným způsobem, jakým se šíří vůně v místnosti během vaření. Z tohoto důvodu musí být odvlhčovač umístěn tak, aby mohl pohlcovat vlhký vzduch v celém domě. Je zde možnost, pokud se na jednom místě vyskytne vážný problém, umístit odvlhčovač poblíž tohoto místa a potom jej přenést blíže k centrálnímu bodu.

Během ustavování odvlhčovače je třeba se ujistit, že je umístěn na rovném povrchu a z každé strany zařízení je 10 cm (4") volného prostoru pro účinný průtok vzduchu.

Tento odvlhčovač je pro zlepšení mobility vybaven nastavovacími kolečky. Před přemístěním je třeba jej odpojit a zásobník na vodu vyprázdnit.

Nedoporučuje se používat prodlužovací kabel, a proto je třeba se ujistit, že se zařízení nachází v blízkosti zásuvky. V případě nutnosti použití prodlužovacího kabelu je třeba se ujistit, že minimální průřez kabelu je 1 mm<sup>2</sup>. Během práce odvlhčovače v nutném případě musí být vnější dveře a okna zavřeny pro zajištění maximální účinnosti zařízení.

### ►► 3. DOPORUČENÍ PŘED POUŽITÍM UPOZORNĚNÍ!



Symbols nacházející se na zařízení mají následující význam:

- Zařízení je naplněno propanem R290. Je nutné bezpodmínečně dodržovat pokyny výrobce v oblasti obsluhy a oprav zařízení!
- Před spuštěním zařízení se důkladně seznámte s návodem k obsluze.
- Zařízení neinstalujte, nepoužívejte ani neskladujte v místnosti menší než 4 m<sup>2</sup>.

### OBCENÁ BEZPEČNOSTNÍ OPATŘENÍ

- URČENO POUZE K POUŽÍVÁNÍ V INTERIÉRECH.
- Zařízení nepoužívejte jako zabudované do kuchyňské linky, skříně, na lodích, v obytných přívěsech nebo podobných uzavřených prostorách.
- Zařízení nepoužívejte v blízkosti bazénu, v koupelnách či v jiných místnostech s vysokou vlhkostí.
- Po přepravě nebo překlopení zařízení (např. při čištění) vyčkejte po dobu 12 hodin, než jej opět zapnete.
- Zařízení umístěte na rovný podklad do svislé polohy (platí také během přepravy) a ve vzdálenosti alespoň 50 cm od jiných předmětů.
- Zařízení nesmí být používáno v potenciálně výbušném prostředí obsahujícím hořlavé kapaliny, plyny nebo prach.
- Zařízení nepoužívejte v blízkosti vysoce hořlavých nebo výbušných látek či paliv. V blízkosti zařízení nerozprašujte barvy, čisticí prostředky, insekticidní přípravky ani podobné látky, protože by to mohlo způsobit deformaci platových částí nebo poškození elektroinstalace.
- Mezi bočními stěnami zařízení a vysoce hořlavými, zahřívajícími se materiály ponechte alespoň 50 cm volného prostoru.
- Na zařízení nepokládejte žádné předměty, ani nezakrývejte vstupní či výstupní otvor.
- Chraňte před postříkáním.
- Děti a domácí zvířata pohybující se v blízkosti funkčního zařízení neponechávejte bez dozoru.
- NEDOVOLTE, ABY SI DĚTI SE ZAŘÍZENÍM HRÁLY.
- Děti nesmějí zařízení čistit ani vykonávat jeho údržbu



bez dozoru dospělé osoby.

- ▶ Není-li zařízení používáno, vypněte jej a odpojte od napájení.
- ▶ Funkční zařízení neopouštějte bez dozoru.
- ▶ Netahejte zařízení za napájecí kabel.
- ▶ Vyvarujte se kroucení, smotávání nebo popotahování za napájecí vodič, ani kabel nesvazujte nylonovým či ocelovým drátem.
- ▶ Dbejte na to, aby se elektrická zásuvka i zástrčka nacházely na viditelném a dobře přístupném místě.
- ▶ Nepoužívejte prodlužovací kabely.
- ▶ Jestliže zařízení upadlo do vody, nevytahujte jej. V takovém případě je nutné okamžitě odpojit napájecí kabel. Před opětovným použitím zkontrolujte stav zařízení.
- ▶ Zařízení musí být zapojeno v souladu s národními elektrotechnickými předpisy a normami.
- ▶ Nepřekračujte doporučenou velikost místnosti uvedenu pro maximální výkon zařízení.
- ▶ Zavřete okna a dveře.
- ▶ V případě vystavení silnému slunečnímu záření zatáhněte závěsy nebo stáhněte žaluzie.
- ▶ Dbejte o čistotu filtrů.
- ▶ Jakmile podmínky v místnosti dosáhnou požadovaných hodnot, snižte nastavení teploty i intenzitu přísunu vzduchu.
- ▶ Nespouštějte zařízení, jestliže jsou zařízení, napájecí kabel nebo zástrčka poškozeny, zařízení nefunguje správně nebo se na něm vyskytují jiné známky poruchy. Zařízení ke kontrole a/nebo opravě předejte v kompletním stavu prodejci nebo elektrotechnikovi, který disponuje příslušnými oprávněními. Používejte výhradně originální náhradní díly. Zařízení (včetně napájecího kabelu a zástrčky) může být demontováno a/nebo opravováno výhradně oprávněnou a kvalifikovanou osobou.
- ▶ Doporučujeme provádět pravidelný servis a prohlídky zařízení.
- ▶ ZAŘÍZENÍ MŮŽE DEMONTOVAT NEBO UPRAVOVAT VÝHRADNĚ CERTIFIKOVANÝ SERVISNÍ TECHNIK.
- ▶ ZAŘÍZENÍ MŮŽE BÝT POUŽÍVÁNO VÝHRADNĚ V SOULADU S JEHO URČENÍM. JEHO POUŽÍVÁNÍ K JINÝM ÚČELŮM BUDE POVAŽOVÁNO ZA NEVHODNÉ POUŽITÍ. ZA VŠECHNA POŠKOZENÍ NEBO ZRANĚNÍ, KTERÁ BUDOU DŮSLEDKEM TAKOVÉHO POČÍNÁNÍ, JE ZODPOVĚDNÝ UŽIVATEL, NIKOLIV VÝROBCE ZAŘÍZENÍ.
- ▶ Zařízení musí být vždy v kolmé poloze.
- ▶ Všechna cizí tělesa musí být ve větší vzdálenosti od otvorů pro přívod a odvod vzduchu.
- ▶ Napájecí napětí musí být shodné s tím, které je uvedeno na výkonovém štítku na zadní straně zařízení.
- ▶ Pokud je poškozen napájecí kabel, může jej vyměnit oprávněný servisní pracovník nebo osoba s příslušnou kvalifikací.
- ▶ Pro zapnutí a vypnutí zařízení se v žádném případě nemá používat zástrčka.
- ▶ Vždy je třeba používat spínač na ovládacím panelu.
- ▶ Před přemístěním je třeba zařízení nejdříve odpojit a potom vypustit vodu ze zásobníku.
- ▶ Nesmí se používat rozprašovače proti hmyzu nebo jiné lehce hořlavé materiály.
- ▶ Zařízení se nesmí v žádném případě polévat nebo stříkat vodou.

▶ TENTO PŘÍSTROJ NESMÍ OVLÁDAT OSOBY (VČETNĚ DĚTÍ) S OMEZENÝMI FYZICKÝMI, SMYS-

LOVÝMI NEBO MENTÁLNÍMI SCHOPNOSTMI ANI OSOBY BEZ ZKUŠENOSTÍ, KTERÉ NEBYLY VÝŠKOLENY OSOBOU ODPOVĚDNOU ZA JEJICH BEZPEČNOST. HLÍDEJTE DĚTI, ABY SI S PŘÍSTROJEM NEHRÁLY.

## ▶▶ BEZPEČNOSTNÍ OPATŘENÍ TÝKAJÍCÍ SE CHLADÍČÍHO MÉDIA R290:

- ▶ Důkladně se seznamte s níže uvedenými varováními.
- ▶ Zařízení obsahuje chladící médium R290. Chladící médium R290 odpovídá směrnice Evropské unie. Neprorážejte otvory do chladícího systému. Chladící médium R290 je vysoce hořlavou látkou (GWP3)!
- ▶ Nepoužívejte jiná zařízení nebo přípravky pro urychlení odmrazování nebo čištění zařízení, než ta, která byla doporučena výrobcem.
- ▶ Zařízení skladujte v místnosti bez trvalých zdrojů hoření (např. otevřený oheň, funkční plynové zařízení nebo funkční elektrické topné těleso).
- ▶ Neprorážejte ani neopalujte součásti chladícího systému zařízení. Nesměřujte světlo přímo na zařízení.
- ▶ Zařízení uchovávejte tak, aby nemohlo dojít k mechanickému poškození.
- ▶ Zařízení musí být nainstalováno, používáno a skladováno v místnosti, jejíž podlahová plocha je větší než 4m<sup>2</sup>.
- ▶ Chladící médium může být bez zápachu, což komplikuje zjišťování netěsností systému.
- ▶ Dodržujte národní normy a předpisy týkající se plynů paliv.
- ▶ Nezakrývejte ventilační otvory.
- ▶ Zařízení uchovávejte v dobře větrané místnosti, jejíž velikost bude odpovídat technické specifikaci zařízení.
- ▶ Každá osoba, která bude zajišťovat obsluhu nebo opravy chladícího systému, musí mít platný certifikát vydaný příslušnou technickou institucí, který potvrzuje kompetence takové osoby v oblasti bezpečné obsluhy chladících médií v souladu s platnými normami a předpisy.
- ▶ Servisní úkony je nutné provádět výhradně v souladu s pokyny výrobce zařízení. Obsluhu a opravy, které vyžadují přítomnost kvalifikovaného servisního personálu, je nutné provádět pod dohledem osoby, která k tomu má odpovídající kompetence v oblasti používání vysoce hořlavých chladících médií.

## DŮLEŽITÉ!

Zařízení nelze používat při pokojové teplotě nižší než 5°C, aby nedošlo k námraze na výparníkovém hadu.

## ▶▶ 4. SOUČÁSTI

- ▶ Přední strana FIG. 2
  1. Ovládací panel
  2. Podsvícení
  3. Přední panel
  4. Zadní panel
- ▶ Zadní strana FIG. 3
  5. Ventilační klapka
  6. Madlo
  7. Přívod vzduchu / Filtry
  8. Ukazovatel nastavení hladiny vody
  9. Zásobník na vodu

## ▶▶ 5. OBSLUHA

- ▶ Ovládací panel FIG. 4

1. Tlačítko pro nastavení vlhkosti
2. Signalizace provozního režimu (nepřetržitý, vlhkost 40%, 50%, 60%, 70%)
3. Zobrazení teploty/vlhkosti
4. Signalizace práce časovače
- 5 Tlačítko zobrazení teploty
7. Signalizace VYSOUŠEČ
8. Tlačítko VYSOUŠEČ
9. Signalizace vysoké rychlosti ventilace
10. Tlačítko rychlost/ventilace
11. Signalizace nízké rychlosti ventilace
12. Signalizace napájení
13. Tlačítko ON/OFF (napájení)
14. Signalizace „Naplnění vodou“
15. Tlačítko HODINY

Kontrolka na předním panelu zařízení svítí 3 různými barvami, v závislosti na úrovni vlhkosti vzduchu. To uživateli umožňuje rychle určit vlhkost vzduchu v místnosti:  
 Modré světlo - vlhkost místnosti > 70%  
 Zelené světlo - vlhkost místnosti 50~70%  
 Červené světlo - vlhkost místnosti < 50%  
 Blikající červené světlo - alarm naplnění vodou

#### ► Obsluha

1. Přístroj zapojte do správné elektrické zásuvky. (Zkontrolujte hodnoty napětí/frekvence na výrobním štítku přístroje).
2. Pro spuštění přístroje stiskněte tlačítko ON/OFF. Spustí se kompresor.
3. Pro výběr provozního režimu stiskněte tlačítko nastavení vlhkosti. Na výběr jsou režimy - nepřetržitý, vlhkost 40%, 50%, 60% nebo 70%. Rozsvítí se příslušná kontrolka pro danou hodnotu.
4. Pro nastavení rychlosti ventilace (nízká/vysoká) stiskněte tlačítko rychlost/ventilace. Rozsvítí se příslušná kontrolka pro danou hodnotu.
- 5 Stiskněte tlačítko HODINY pro nastavení očekávané doby práce (1~24 hodin). Po stisknutí tlačítka HODINY okénko displeje zobrazí aktuálně vybraný čas. Pokud tlačítko uvolníte na 8 sekund, v okénku se znovu začne zobrazovat vlhkost v místnosti. Po uplynutí nastaveného počtu hodin se kompresor automaticky vypne.
6. Stisknutím tlačítka „TEMP“ zobrazíte aktuální teplotu v místnosti. Pokud tlačítko uvolníte na 8 sekund, v okénku se znovu začne zobrazovat vlhkost v místnosti.
7. Funkce VYSOUŠEČ zapíná turbo režim ventilačního systému - vlhkost v místnosti se bude neustále vysoušet - tato funkce umožňuje sušit prádlo.
8. Pro vypnutí přístroje stiskněte tlačítko ON/OFF.
9. Funkce nastavitelného zapnutí (PRE-SET) - pomocí tlačítka HODINY bez spuštění jakýchkoli dalších funkcí přístroje (včetně tlačítka ON/OFF) lze nastavit čas zapnutí přístroje/ Například pokud nastavíte hodiny na '2', přístroj se automaticky spustí po 2 hodinách.

#### ►► 6. ODVOD VODY

Je-li vodní nádržka naplněna, kompresor se z bezpečnostních důvodů automaticky vypne a signalizace naplnění vodou se rozsvítí červeně. Chcete-li nádržku vyjmout, vysuňte ji kolmo z přístroje. Po vyprázdnění zasuňte nádržku zpět na její místo. Ujistěte se, že je správně umístěna - kontrolka naplnění vodou zhasne a vysoušeč se zapne. Všimněte si, že pokud nádržka není vložena správně, sig-

nalizace naplnění vodou bude dále svítit červeně.

#### PLYNULÝ ODVOD

Je-li vysoušeč používán při vysoké vlhkosti vzduchu, vodní nádržku bude nutno vyprazdňovat častěji. V tomto případě je značně pohodlnější nastavit nepřetržitě vyprazdňování nádržky. Chcete-li tak učinit, proveďte následující:

1. Vyjměte vodní nádržku (Obr. 5).
2. Vodní hadici zapojte do výstupního otvoru o průměru: 11 mm (hadice není součástí balení) (Obr. 6).
3. Ujistěte se, že je hadice správně připevněná a voda bez problémů odtéká. Pozor! Při velmi nízkých teplotách je potřeba provést další zabezpečení hadice proti zamrznutí.
4. Nádržku vložte na její místo.

#### ►► 7. ÚDRŽBA A ČIŠTĚNÍ

Před provedením údržby a čištění zařízení je třeba jej vždy odpojit od napájecí sítě.

#### ČIŠTĚNÍ TĚLESA ZAŘÍZENÍ

K vyčištění zařízení je třeba použít měkký hadřík. V žádném případě se nemají používat plynné chemické substance, detergenty, benzín, chemicky ošetřené oblečení nebo jiné čisticí roztoky. Každá z těchto látek může poškodit plášť zařízení.

#### ČIŠTĚNÍ FILTRU

Tento model vysoušeče je vybaven 2 typy filtrů (FIG. 7):

1. PRACHOVÝ FILTR
  - Sundejte držák filtru, odstraňte filtr z aktivním uhlíkem.
  - Filtr jemně vyčistěte pomocí vysavače nebo opláchnutím pod kohoutkem vodovodu. Je-li filtr silně znečištěný, použijte teplou vodu a malé množství detergentu.
  - Před opětovným použitím se ujistěte, že je filtr zcela suchý.
  - Filtr nevystavujte přímému slunečnímu světlu.
2. AKTIVNÍ UHLÍKOVÝ FILTR (pro vázání částic prachu rozvířených ve vzduchu a omezení množení bakterií). Aktivní uhlíkový filtr se nachází za prachovým filtrem a na rozdíl od něj není omývatelný. Životnost uhlíkového filtru závisí na podmínkách prostředí, ve kterém se přístroj používá. Filtr je nutno pravidelně kontrolovat a v případě potřeby měnit.

#### ÚSCHOVA

Pokud zařízení nebude delší dobu používáno, je třeba jej odpojit. Napájecí kabel je třeba odpojit a očistit:

- Zásobník na vodu je třeba úplně vyprázdnit a vytřít dočista.
- Zařízení je třeba přikrýt a uchovávat na místě chráněném před slunečními paprsky.

#### ►► 8. ZJIŠŤOVÁNÍ ZÁVAD

##### ZAŘÍZENÍ NEFUNGUJE:

- Je zařízení připojeno k napájecí síti?
- Je připojený v domě elektrický proud?
- Má pokojová teplota 5°C nebo více než 35°C? Pokud ano, jedná se o teplotu mimo pracovní rozsah zařízení.
- Je třeba se ujistit, zda hygroskop (nebo přepínač ON/OFF) je zapnut.
- Je třeba se ujistit, zda zásobník na vodu je správně us-taven v zařízení a zda není plný.
- Je třeba se ujistit, že ventilační otvory nejsou zablokované.

### **ZDÁ SE, ŽE ZAŘÍZENÍ NEPRACUJE:**

- ▶ Není filtr zaprášený nebo špinavý?
- ▶ Nejsou ventilační otvory zablokovány?
- ▶ Není vlhkost okolí již příliš nízká?

### **ZDÁ SE, ŽE ZAŘÍZENÍ NEPRACUJE EFEKTIVNĚ :**

- ▶ Není otevřeno příliš mnoho dveří a oken?
- ▶ Není v místnosti něco, co způsobuje velkou vlhkost?

### **ZAŘÍZENÍ JE PŘÍLIŠ HLUČNÉ:**

- ▶ Je třeba zkontrolovat, zda zařízení stojí na rovném povrchu

### **ZE ZAŘÍZENÍ VYTÉKÁ VODA:**

- ▶ Je třeba se ujistit, že zařízení je v dobrém technickém stavu.
- ▶ Pokud není využívána možnost plynulého odtékání vody, je třeba se ujistit, že gumová záslepka (zespodu zařízení) je na svém místě.

### **KÓD ZÁVADY:**

KÓD	PŘÍČINA	ŘEŠENÍ
E1	Čidlo pokojové teploty (s pryskyřicovou hlavou) je přerušené nebo došlo ke zkratu.	Kontrola, zda je čidlo pokojové teploty správně zapojeno do PCB. Vyměňte čidlo pokojové teploty. Vyměňte hlavní desku PC. Úroveň vlhkosti je nižší než 40% RH.
E2	Systémový senzor (s měděnou hlavou) je přerušený nebo došlo ke zkratu.	Kontrola, zda je systémový senzor správně zapojen do PCB. Vyměňte systémový senzor. Vyměňte hlavní desku PC.
E3	Vodič čidla ovládání teploty (TC) je uvolněný nebo poškozený. Zařízení bude vydávat varovný zvukový signál po dobu 3 sekund a hlášení E3 bude blikat v sekundových intervalech. Kompresor a motor ventilátoru přestanou pracovat.	Čidlo je nutné zkontrolovat a vyměnit.
E4	Jestliže teplota, kterou detekuje čidlo TC, činí minimálně 130°C po dobu delší než 5 sekund, bude zařízení vydávat varovný zvukový signál po dobu 3 sekund a hlášení E5 bude blikat v sekundových intervalech. Kompresor a motor ventilátoru přestanou pracovat.	V takovém případě zařízení vypněte a opět zapněte tlačítkem ON/OFF a zkontrolujte, zda bude hlášení E5 i nadále zobrazováno. Jestliže porucha nezmizí, znamená to, že kompresor nefunguje správně. Systém kompresoru je nutné zkontrolovat a odstranit případné vady.

## TARTALOMJEGYZÉK

1...	<b>MŰKÖDÉS</b>
2...	<b>ELHELYEZÉS</b>
3...	<b>TANÁCSOK A BERENDEZÉS ÜZEMBEHELYEZÉSE ELŐTT</b>
4...	<b>A BERENDEZÉS ELEMEI</b>
5...	<b>KEZELÉS</b>
6...	<b>VÍZ ELVEZETÉSE</b>
7...	<b>KARBANTARTÁS ÉS TÁROLÁS</b>
8...	<b>HIBAEELHÁRÍTÁS</b>

**AZ ALÁBBI BERENDEZÉS HASZNÁLATBA VÉTELE ELŐTT ALAPOSAN ISMERKEDJEN MEG AZ ÚTMUTATÓVAL ÉS AZT ŐRIZZE MEG KÉSŐBBI FELHASZNÁLÁS CÉLJÁBÓL.**

### ►► 1. MŰKÖDÉS

Az alábbi termék levegő szárítására szolgál. A berendezés a levegő átáramlása során a relatív páratartalmat ellenőrzi, lecsepegtetve a felesleges nedvességet a hűtőelemeken. A hideg felülettel való érintkezés a pára kicsapódását okozza a levegőben. Ezután a kicsapódott víz biztonságosan elvezetésre kerül a víztartályba. A kiszáritott levegő átáramlik a kondenzátoron, ahol egy kicsit felmelegszik, majd kissé magasabb hőmérsékleten újra visszaáramlik a helyiségbe.

#### ► FIG. 1

1. Száraz melegebb levegő,
2. Kondenzátor,
3. Párológató,
4. Nedvességgel telített levegő,
5. Víztartály,
6. Kompresszor
7. Motor
8. Ventilátor lapátok

### ►► 2. ELHELYEZÉS

A túlzott pára ugyanúgy terjed szét az egész házban, mint ahogyan a főzés során keletkező szagok terjednek szét a helyiségben. Ezért a párátlantítót úgy kell elhelyezni, hogy az az egész házban felszívassa a nedves levegőt. Opcionálisan, amennyiben az egyik helyen komoly probléma lép fel, ide helyezheti a párátlantítót, majd azt később más, központibb pontra helyezheti át.

A párátlantító beállítása során meg kell győződni róla, hogy azt egyenes felületre állította, valamint hogy a berendezés körül minden oldalt 10 cm (4") szabad teret hagyott, amely lehetővé teszi a levegő hatékony áramlását. Az alábbi párátlantító önbeálló kerékkel rendelkezik, amely könnyebb mozgatót biztosít a készüléknek. A berendezés áthelyezése során előbb ki kell kapcsolni a berendezést és ki kell üríteni a víztartályt.

Nem ajánlatos hosszabbító használata, ezért meg kell győződni róla, hogy a berendezés elég közel található a hálózati aljzathoz. Amennyiben elengedhetetlenné válna hosszabbító használata, győződjön meg róla, hogy a kábelvezeték átmérője legalább 1 mm<sup>2</sup>.

A párátlantító leghatékonyabb működése érdekében a bejárati ajtónak és az ablakoknak zárva kell lenniük.

### ►► 3. TANÁCSOK A BERENDEZÉS ÜZEMBEHELYEZÉSE ELŐTT FIGYELEM!



A készüléken található szimbólumok jelentése a következő:

- A berendezés R290 propánnal fel van töltve. Szigorúan be kell tartani a gyártó által a berendezés üzemeltetésére és javítására vonatkozó utasításokat!
- Mielőtt elindítja a berendezést, olvassa el figyelmesen a használati útmutatót.
- Ne telepítse, ne használja és ne tárolja a készüléket 4m<sup>2</sup>-nél kisebb helyiségben.

### ÁLTALÁNOS BIZTONSÁGI SZABÁLYOK

- KIZÁRÓLAG BELTÉRI FELHASZNÁLÁSRA.
- Ne használja a berendezést beépített konyhában, ruhásszekrényben, hajón, lakókocsiban vagy hasonló zárt térben.
- Ne használja a berendezést úszómedence közelében, mosdóban vagy más nedves helyiségben.
- A termék szállítását vagy (pl. tisztítás alatti) megdöntését követően várjon 12 órát, mielőtt a berendezést csatlakoztatja a tápegységhez.
- Helyezze a berendezést függőleges helyzetbe egy sima felületre (szállítás közben is!), legalább 50 cm távolságra a többi tárgytól.
- Ne használja a berendezést gyúlékony folyadékokat, gázokat vagy port tartalmazó robbanásveszélyes környezetben.
- Ne használja a berendezést gyúlékony vagy robbanásveszélyes anyagok vagy üzemanyag közelében. Ne permetezzen festékeket, tisztítószeret, rovarirtókat vagy hasonló szereket a berendezés közelében, mivel ezek deformálhatják a műanyag alkatrészeket vagy károsíthatják annak elektromos rendszerét.
- Hagyjon legalább 50 cm szabad helyet a berendezés oldala és a gyúlékony, felmelegedő anyagok között.
- Ne helyezzen semmilyen tárgyat a berendezésre, és ne takarja le annak levegő be-, és kimenetét.
- Védje a berendezést a lefröccsenéstől.
- Ügyeljen a gyermekekre és a háziállatokra a működésben lévő berendezés közelében.



► **NE ENGEDJE, HOGY GYEREKEK JÁTSZANAK A BERENDEZÉSSSEL.**

- Felnőtt felügyelete nélkül a gyermekek nem tisztíthatják vagy nem tarthatják karban a berendezést.
- Kapcsolja ki a berendezést és húzza ki a konnektorból, ha nem használja.
- Ne hagyja felügyelet nélkül üzemelés közben a készüléket.
- Ne húzza a berendezést a tápkábelnél fogva.
- Kerülje a hálózati kábel túlzott összecsaparását, feltekerését vagy meghúzását, és ne kösse össze nejlondróttal vagy acélhuzallal.
- Győződjön meg arról, hogy a fali csatlakozó aljzat és a csatlakozó dugó látható és könnyen elérhető helyen helyezkedjen el.
- Ne használjon hosszabbítókat.
- Ne nyúljon a berendezéshez, ha az vízbe esett. Ilyen esetben azonnal húzza ki a tápkábelt. Ismételt használat előtt ellenőrizze a berendezés állapotát.
- A berendezést a nemzeti előírásoknak és az elektromos szabványoknak megfelelően kell csatlakoztatni.
- A készülék maximális teljesítménye érdekében ne lépje túl az ajánlott helyiségméretet.
- Csukja be az ajtókat és az ablakokat.
- Jelentős napfény esetén húzza be a függönyöket vagy engedje le a redőnyöket.
- Tartsa tisztán a szűrőket.
- Amikor a helyiség paraméterei elérték a kívánt szintet, csökkentse a hőmérséklet és a légáramlás erejét.
- Ne működtesse a berendezést, ha a termék, annak tápkábele vagy a csatlakozó dugója sérült, az eszköz hibásan működik, vagy más hibák merülnek fel. Amennyiben arra szorul a berendezés, az teljesen adja át az eladónak vagy a képzett villanyszerelőnek ellenőrzés és/vagy javítás céljából. Csak eredeti pótalkatrészeket használjon. A berendezést (beleértve a tápkábelt és annak csatlakozóját) csak felhatalmazott és megfelelő képesítéssel rendelkező személyek szerelhetik szét és/vagy javíthatják meg.
- Ajánlott a készülék működésének rendszeres ellenőrzése.
- A BERENDEZÉST KIZÁRÓLAG CERTIFIKÁLT SZEMÉLY SZERELHETI SZÉT VAGY MÓDOSÍTHATJA.
- A KÉSZÜLÉKET CSAK RENDELTETÉSSZERŰEN SZABAD HASZNÁLNI. EGYÉB CÉLRA TÖRTÉNŐ HASZNÁLAT NEM RENDELTETÉSSZERŰNEK MINŐSÜL. AZ ILYEN TÍPUSÚ FELHASZNÁLÁSBÓL EREDŐ SÉRÜLÉSEK VAGY SEBESÜLÉSEK KELETKEZÉSÉÉRT A FELHASZNÁLÓ ÉS NEM A TERMÉK GYÁRTÓJA FELELŐS.
- A berendezésnek mindig függőleges helyzetben kell lennie.
- Minden idegen tárgyat távol kell tartani a levegő be- és kivezetésétől.
- Az áramellátásnak meg kell egyeznie a berendezés hátulján lévő adattáblán szereplő műszaki adatokkal.
- Amennyiben a hálózati kábel sérült, azt a márkaszerviz erre feljogosított képviselőjének, vagy erre megfelelő képesítéssel rendelkező személynek ki kell cserélnie, hogy elkerülje a veszélyhelyzetet.
- A berendezés bekapcsolásához és kikapcsolásához semmilyen esetben sem szabad a hálózati dugaszt használni. A berendezés be- és kikapcsolásához mindig a vezérlőpanel kapcsológombját kell használni.
- A berendezés áthelyezése előtt azt előbb ki kell kapcsolni, majd ki kell üríteni a víztartályt.

- A berendezés közelében nem szabad rovarirtó aeroszolt vagy más könnyen égő tisztítószerrel használni (néhány alkatrész működés közben felmelegszik).
- Semmilyen esetben sem szabad a berendezést vízzel leönteni vagy locsolni.
- AZ ALÁBBI BERENDEZÉST NEM KEZELHETI ÖNÁLLÓ CSELEKVÉSRE KÉPTELEN SZEMÉLY (BELEÉRTVE A GYERMEKEKET), AKI FIZIKAI, MOZGÁSI VAGY LELKI ÁLLAPOTA MIATT NEM KÉPES SEGÍTSÉG NÉLKÜL A BERENDEZÉST MŰKÖDTETNI, ILLETVE AZOK A SZEMÉLYEK, AKIKET A BIZTONSÁGUKÉRT FELELIS SZEMÉLYEK A BERENDEZÉS KEZELÉSÉRE KI NEM OKTATOTTAK. ÜGYELNI KELL RÁ, HOGY GYERMEKEK NE JÁTSZANAK A BERENDEZÉSSSEL.

►► **AZ R290 HŰTŐKÖZEGRE VONATKOZÓ BIZTONSÁGI SZABÁLYOK:**

- Olvassa el figyelmesen a következő figyelmeztetéseket.
- A berendezés R290 hűtőközeget tartalmaz. Az R290 hűtőközeg megfelel az Európai Unió vonatkozó irányelveinek. Ne szűrje át a hűtőrendszert. Az R290 hűtőközeg gyúlékony anyag (GWP3)!
- A készülék leolvasztásának vagy tisztításának felgyorsítására kizárólag a gyártó által ajánlott berendezéseket vagy közegeket használjon.
- Tárolja a készüléket állandó gyújtóforrás (pl. nyílt láng, működő gázkészülék vagy működő elektromos fűtés) nélküli helyiségben.
- Ne szűrje át és forrósítsa fel a berendezés hűtőrendszerének elemeit. Ne irányítson közvetlen fényt a berendezésre.
- Tárolja a berendezést olyan módon, hogy az mechanikusan ne tudjon megsérülni.
- A készüléket legalább 4 m<sup>2</sup>-nél nagyobb alapterületű helyiségben kell felszerelni, üzemeltetni és tárolni.
- A hűtőközeg szagtalan lehet, ami megnehezíti a szivárgások felismerését.
- Vegye figyelembe a gáznemű tüzelőanyagokra vonatkozó nemzeti szabványokat és előírásokat.
- Ne takarja el a szellőzőnyílásokat.
- A készüléket olyan jól szellőző helyiségben tárolja, amelynek alapterülete megfelel az eszköz műszaki leírásában megadottnak.
- Minden olyan személy, aki a hűtőrendszer üzemeltetésében vagy javításában részt vesz, rendelkeznie kell az illetékes műszaki intézmény által kiállított érvényes tanúsítvánnyal, amely igazolja az adott személy kompetenciáját a hűtőközegek biztonságos kezelésében az aktuális szabványok és előírások szerint.
- A szervizelést kizárólag az eszköz gyártójának utasításai szerint szabad elvégezni. A képzett szerviz szakember jelenlétét igénylő karbantartási és javítási munkákat a könnyen gyulladó hűtőközegek alkalmazásához értő személy felügyelete mellett kell végezni.

**FONTOS!**

A berendezést nem szabad 5°C hőmérsékletnél alacsonyabb szobahőmérsékleten használni, mert az a párologtató csöveinek az eljégedéséhez vezethet.

►► **4. A BERENDEZÉS ELEMEI**

- Előlnézet FIG. 2
- 1. Vezérlő panel



2. Megvilágítás

3. Előlap

4. Hátlap

► Hátnézet FIG. 3

5. Szellőzés fedőlapja

6. Fogantyú

7. Levegő bevezetés / Szűrők

8. Vízzint jelző ablak

9. Víztartály

## ►► 5. KEZELÉS

► Vezérlőpanel FIG. 4

1. Páratartalom beállító gomb

2. Üzem mód kijelző (folyamatos, 40%, 50%, 60%, 70% páratartalom)

3. Hőmérséklet / páratartalom kijelző

4. Üzemidő beállító óra kijelzője

5. Hőmérséklet kijelző gombja

7. PÁRAELSZÍVÓ kijelzője

8. PÁRAELSZÍVÓ nyomógombja

9. Ventilátor magas fordulatszámának kijelzője

10. Sebesség / ventiláció nyomógomb

11. Ventilátor alacsony fordulatszámának kijelzője

12. Áramellátás jelző

13. ON/OFF gomb (áramellátás)

14. „Víz telítettség” kijelző

15. ÓRA nyomógombja

A készülék előlapján található jelzőfény a páratartalom mértékétől függően 3 különböző színben világít. Ez lehetővé teszi a felhasználó számára a szoba páratartalmának gyors meghatározását:

Kék fényel - helyiség páratartalma > 70%

Zöld fényel – helyiség páratartalma 50~70%

Piros fényel - helyiség páratartalma > 50%

Villogó piros fény - megtelt a víztartály riasztás

## ► Kezelés

1. Csatlakoztassuk a készüléket a megfelelő konnektorba. (Ellenőrizd, hogy megfelelnek-e a feszültség/frekvencia értékek a készüléken elhelyezett adattáblának.)

2. Nyomjuk le az ON/OFF gombot a készülék bekapcsolása érdekében. A kondenzátor elkezd működni.

3. Nyomjuk le a páratartalom beállító gombot a megfelelő üzemmód kiválasztás érdekében: állandó 40%, 50%, 60% vagy 70% páratartalom. Kigyullad a kiválasztott értéknek megfelelő kijelző.

4. Nyomjuk le a sebesség/ventilátor gombot, hogy beállítsuk a ventiláció fordulatszámát alacsony vagy magas fokozatra. Kigyullad a kiválasztott értéknek megfelelő kijelző.

5. Nyomjuk le az ÓRA gombot, hogy beállítsuk az üzemi idő hosszát (1~24 óra). Az ÓRA gomb lenyomása után a kijelzőn megjelenik az aktuális beállított üzemi idő, engedjük fel a nyomógombot legalább 8 másodpercre és a kijelző visszatér az alap üzemmódra a helyiség páratartalom kijelzésére. A meghatározott idő letelte után a kondenzátor automatikusan kikapcsol.

6. A "TEMP" gomb lenyomása után a kijelzőn a helyiség aktuális hőmérséklete jelenik meg, engedjük fel a nyomógombot legalább 8 másodpercre és a kijelző visszatér az alap üzemmódra a helyiség páratartalom kijelzésére.

7. A PÁRÁTLANÍTÓ funkció bekapcsolása, beindítja a ventilátor turbó üzemmódját, ennek következtében a helyi-

ség nedvességtartalma folyamatosan csökken, e funkció segítségével lehet pl. mosást szárítani.

8. A készülék kikapcsolásának érdekében nyomjuk le az ON/OFF gombot.

9. A korai bekapcsolás funkcióban (PRE-SET) az Óra nyomógomb segítségével, minden más bekapcsolási nyomógomb nélkül (beleértve a ON/OFF gombot is), beprogramozható a készülék automata bekapcsolásának ideje/ Például, ha az órán '2'-t állítunk be, akkor a készülék 2 óra elteltével automatikusan bekapcsol.

## ►► 6. VÍZ ELVEZETÉSE

Amikor a víztartály megtelik akkor a kondenzátor önműködően, biztonsági okok miatt, kikapcsol, és a víztartály kijelzője pirosan fog világítani.

Ahhoz, hogy kivegyük a víztartályt, toljuk el a készülékkel párhuzamosan.

A tartályt kiürítés után helyezzük vissza a helyére. Bizonyosodjunk meg róla, hogy megfelelően van-e berakva, ekkor a kontroll lámpa elalszik és a készülék automatikusan bekapcsol.

Érdemes megfigyelni, hogy ha a tartályt nem rakjuk vissza megfelelően, akkor a kontroll lámpa továbbra is világítani fog.

## ►► FOLYAMATOS ELVEZETÉS

Amennyiben a készülék magas páratartalmú helyiségben üzemel, a víztartályt gyakran kell üríteni. Ebben a helyzetben jóval kényelmesebb beállítani a tartály folyamatos ürítését.

1. Távolítsuk el a víztartályt (FIG. 5).

2. Csatlakoztassunk egy vízvezető csövet, amelynek átmérője: 11 mm (e cső nem tartozik a készülék alapfelszereltségéhez) (FIG. 6).

3. Bizonyosodjunk meg róla, hogy a csövet megfelelően rögzítettük, és a víz szabadon távozhat. Figyelem! Nagyon alacsony környezeti hőmérséklet esetében védjük meg a csöveket a fagyástól.

4. A víztartályt rakjuk a helyére.

## ►► 7. KARBANTARTÁS ÉS TÁROLÁS

A karbantartási és tisztítási művelet végrehajtása előtt mindig le kell kapcsolni a berendezést a hálózati tápellátásról.

### A KÜLSŐ HÁZ TISZTÍTÁSA

A berendezés tisztításához puha törlőkendőt kell használni. Semmilyen esetben sem szabad agresszív vegyi anyagokat, mosószert, benzint, vagy egyéb erős tisztító oldatot használni. A fent említett anyagok a berendezés károsodását okozhatják.

### A SZŰRŐ TISZTÍTÁSA

E páratlanító modell 2 szűrőtípussal rendelkezik (FIG. 7):

1. PORSZŰRŐ

- Vegyük le a szűrő rögzítését, távolítsuk el az aktív szén szűrőt.

- Óvatosan tisztítsuk meg a szűrőt porszívó segítségével vagy öblítsük le folyóvízben. Amennyiben a szűrő nagyon szennyezett használjunk meleg vizet és egy kevés kémia-teszt tisztítószert.

- Mielőtt betennénk a szűrőt, győződjünk meg róla, hogy az teljesen megszáradt.

- A szűrőt ne tegyük ki közvetlenül napfény hatásának.

2. AKTÍVSZÉN SZŰRŐ (a levegőben szálló por megköté-

sére és baktériumok szaporodásának gátlására).

Az aktívszén szűrő a porfogó szűrő után található és azzal ellentétben nem mosható. Az aktívszén szűrő élettartama nagyban függ attól, hogy a készüléket hol, milyen körülmények közt használjuk. A szűrőt időnként, szükségletek szerint, ellenőrizzük és cseréljük.

## TÁROLÁS

Amennyiben a berendezést hosszabb ideig nem használja, azt ki kell kapcsolni. Húzza ki a hálózati kábelt és tisztítsa meg a berendezést:

- ▶ Teljesen ki kell üríteni a víztartályt majd szárazra kell törölni.
- ▶ A berendezést le kell takarni és olyan helyen kell tárolni, ahol nem éri közvetlen napsugárzás.

## ▶▶ 8. HIBAELEHÁRÍTÁS

### A BERENDEZÉS NEM MŰKÖDIK:

- ▶ Csatlakoztatta a berendezést az elektromos hálózatra?
- ▶ Be van kapcsolva az elektromos hálózat az otthonában?
- ▶ A szobahőmérséklet 5°C vagy annál kevesebb, vagy 35°C-nál magasabb? Amennyiben igen, akkor a hőmérséklet nincs a készülék működési tartományában.
- ▶ Győződjön meg róla, hogy a kapcsoló ON állásban van.
- ▶ Ellenőrizze, hogy a víztartály megfelelően van a berendezésbe helyezve és nem telt meg.
- ▶ Győződjön meg róla, hogy a levegő bevezetése és kivezetése nincs eltömődve.

### A BERENDEZÉS MINTHA NEM MŰKÖDNE:

- ▶ Nem poros, szennyezett a szűrő?
- ▶ Nincs eltömődve a levegő bevezetése és kivezetés?
- ▶ Nem túl alacsony a környezeti páratartalom?

### A BERENDEZÉS NEM MŰKÖDIK TELJES HATÉKONYSÁGGAL:

- ▶ Nincs kinyitva túl sok ablak vagy ajtó?
- ▶ Nincs-e valami a helyiségben, ami túl nagy páratartalmat okoz?

### TÚL HANGOS A BERENDEZÉS:

- ▶ Ellenőrizze, hogy a berendezés vízszintes felületen áll

### FOLYIK A BERENDEZÉS:

- ▶ Győződjön meg róla, hogy a berendezés jó műszaki állapotban van.
- ▶ Amennyiben nem használja a folyamatos vízvezetést, győződjön meg róla, hogy a gumi dugasz (a berendezés alján) a helyén található.

## Hibakódok a kijelzőn

Kód	Ok	Megoldás
E1	A környezet hőmérséklet érzékelője (a gyantás bevonatú) nyitva van, vagy helytelenül működik rövidzárlat miatt.	Ellenőrizzük, hogy a környezet hőmérséklet érzékelője helyesen van-e csatlakoztatva a nyomtatott alaplaphoz. Cseréljük ki a környezet hőmérséklet érzékelőjét. Cseréljük ki a nyomtatott alaplapot. A páratartalom 40% relatív páratartalomnál kevesebb.
E2	Hűtőrendszer hőérzékelője (réz burkolat) nyitva van, vagy helytelenül működik rövidzárlat miatt.	Ellenőrizzük, hogy a érzékelő helyesen van-e csatlakoztatva a nyomtatott alaplaphoz. Cseréljük ki az érzékelőt. Cseréljük ki a nyomtatott alaplapot.
E3	A hőmérséklet szabályozó érzékelő (TC) kábele meglazult vagy sérült. A készülék 3 másodpercig hangot bocsát ki, és az E3 üzenet másodpercenként felvillan. A kompresszor és a ventilátor motorja nem működik.	Az érzékelőt ellenőrizni kell és ki kell cserélni.
E5	Ha a TC érzékelő által leolvasott hőmérséklet több mint 5 másodpercig legalább 130 °C, a készülék 3 másodpercig hangot bocsát ki, és másodpercenként az E5 üzenet fog felvillanni. A kompresszor és a ventilátor motor működése leáll.	Ilyenkor a BE/KI gombbal kapcsolja ki és újra kapcsolja be a készüléket, és ellenőrizze, hogy az E5 üzenet továbbra is megjelenik-e. Ha a hibaüzenet nem tűnik el, az azt jelenti, hogy a kompresszor rendszere hibásan működik. Ellenőrizni kell a kompresszor rendszert és orvosolni kell a hibát.

## TURINYS

1...	<b>VEIKIMAS</b>
2...	<b>VIETOS PRIETAISUI PARINKIMAS</b>
3...	<b>REKOMENDACIJOS PRIEŠ PRIETAISO NAUDOJIMĄ</b>
4...	<b>DALYS</b>
5...	<b>NAUDOJIMAS</b>
6...	<b>VANDENS IŠLEIDIMAS</b>
7...	<b>VALYMAS</b>
8...	<b>GEDIMŲ ŠALINIMAS</b>

**PRIEŠ ŠIO PRIETAISO NAUDOJIMĄ ATIDŽIAI PERSKAITYKITE INSTRUKCIJĄ IR JOS NEIŠMESKITE.**

### ►► 1. VEIKIMAS

Šis prietaisas naudojamas oro sausinimui. Perleisdamas orą, prietaisas kontroliuoja santykinę drėgmę, o jos perteklius yra kondensuojamas ant šaldymo elementų. Kontaktas su šaltu paviršiumi lemia tai, kad oro drėgmė yra kondensuojama. Tuomet susikaupęs vanduo yra saugiai nuleidžiamas į vandens talpą. Nusausintas oras pereina per kondensatorių, kuriame yra šiek tiek pašildomas, o tuomet yra vėl išleidžiamas į patalpą. Jo temperatūra yra šiek tiek aukštesnė.

#### ► FIG. 1

1. SAUSAS ŠILTESNIS ORAS ,
2. KONDENSATORIUS,
3. GARINTUVAS – šaltas gyvatukas,
4. DRĖGMĖS PRISODRINTAS ORAS,
5. VANDENS TALPA,
6. KOMPRESORIUS,
7. MOTORE
8. ROTORE DEL VENTILATORE

### ►► 2. VIETOS PRIETAISUI PARINKIMAS

Drėgmės perteklius pasklinda visame name taip pat, kaip ir kvapas virimo metu. Todėl sausintuvas turi būti pastatytas tokioje vietoje, kur jis galėtų surinkti drėgną orą iš viso namo. Reikalui esant, jeigu didelis drėgmės kiekis bus vienoje vietoje, sausintuvą galima pastatyti arčiau tos vietos, o vėliau vėl jį pernešti į vietą, kur jis galės paimti orą iš viso namo.

Sausintuvo statymo metu įsitikinkite, kad statote jį ant lygaus pagrindo bei kad iš visų prietaiso pusių yra 10 cm (4") tuščios erdvės. Tai leis orui tinkamai cirkuliuoti. Šis sausintuvas turi ratukus, kurių dėka jį galima lengvai perstumti. Prieš perstatydami prietaisą, jį pirmiausiai išjunkite, o vandens talpą ištuštinkite.

Nerekomenduojama naudoti prailgintuvo, todėl įsitikinkite, kad prietaisas stovi pakankamai arti elektros lizdo. Jeigu būtinai turite panaudoti prailgintuvą, įsitikinkite, kad kabelio skersmuo yra mažiausiai 1 mm<sup>2</sup>. Sausintuvo darbo metu išorinės durys ir langai turi būti uždaryti, nes tai užtikrina geriausią prietaiso efektyvumą.

### ►► 3. REKOMENDACIJOS PRIEŠ PRIETAISO NAUDOJIMĄ DĖMESIO!



Simbolių, esančių ant prietaiso reikšmė:

- Prietaisas užpildytas R290 propanu. Būtina griežtai laikytis gamintojo nurodymų kaip naudoti ir taisyti prietaisą!
- Prieš paleisdami prietaisą atidžiai perskaitykite naudojimo instrukciją.
- Nemontuokite, nenaudokite ir nelaikykite prietaiso mažesnėje nei 4m<sup>2</sup> patalpoje.

### BENDROSIOS SAUGOS TAISYKLĖS

- NAUDOTI TIK PATALPOSE.
- Nenaudokite nelaikykite prietaiso virtuvės spintelėje, drabužių spintoje, valtyse, nameliuose-autopriekabose ar panašiose uždaroje erdvėje.
- Nenaudokite prietaiso prie baseinų, prausyklose ar kitose drėgnose patalpose.
- Prieš prijungdami prietaisą prie maitinimo šaltinio, jį transportavę arba pakreipę (pvz. valymo metu) palaukite 12 valandų.
- Padėkite prietaisą vertikaliaje padėtyje ant lygaus paviršiaus (taip pat transporto metu!) ir bent 50 cm atstumu nuo kitų daiktų.
- Nenaudokite prietaiso sproгимui gresiančiose aplinkose, kuriose yra degių skysčių, dujų ar dulkių.
- Nenaudokite prietaiso šalia degių ar sprogių medžiagų ar degalų. Nepurškite dažų, valymo priemonių, insekticidų ar panašių medžiagų šalia prietaiso, nes tai gali deformuoti plastines dalis arba sugadinti elektros instaliaciją.
- Palikite mažiausiai 50 cm laisvos vietos tarp prietaiso šonų ir degios, kaistančios medžiagos.
- Nedėkite ant prietaiso daiktų ir neuždenkite oro įleidimo ir išleidimo angos.
- Saugokite prietaisą nuo apšlakstymo.
- Prižiūrėkite vaikus ir naminius gyvūnėlius, kurie bus šalia dirbančio prietaiso.
- NEGALIMA VAIKAMS ŽAISTI SU PRIETAISU.
- Vaikai negali valyti ar prižiūrėti prietaiso be suaugusiųjų priežiūros.
- Išjunkite prietaisą ir atjunkite jį nuo tinklo maitinimo, kai

jo nenaudojate.

- ▶ Veikimo metu nepalikite prietaiso be priežiūros.
- ▶ Netraukite prietaiso už maitinimo laido.
- ▶ Venkite per daug sukti, vynioti ar traukti maitinimo laidą arba neriškite jo nailono ar plienine viela.
- ▶ Prižiūrėkite, kad kištukas ir lizdas būtų matomoje ir lengvai prieinamoje vietoje.
- ▶ Nenaudokite ilgintuvų.
- ▶ Nelieskite prietaiso jei jis nukrito į vandenį. Tokiu atveju nedelsdami atjunkite maitinimo laidą. Prieš pakartotinį prietaiso naudojimą patikrinkite prietaiso būklę.
- ▶ Prietaisas turi būti prijungtas laikantis valstybės taisyklių ir elektros standartų.
- ▶ Neviršykite rekomenduojamo patalpos dydžio dėl prietaiso didžiausio pjėgumo efektyvumo.
- ▶ Uždarykite duris ir langus.
- ▶ Esant dideliai saulės kaitrai užtraukite užuolaidas arba nuleiskite žaliuzes.
- ▶ Filtrus laikykite švarius.
- ▶ Kai kambario sąlygos pasieks norimą lygį sumažinkite temperatūros ir oro srauto parametrus.
- ▶ Nenaudokite neleiskite prietaiso jei jis, maitinimo laidas ar kištukas yra pažeisti, prietaisas neveikia tinkamai ar yra kito gedimo požymių. Perduokite sukomplektuotą prietaisą pardavėjui ar kvalifikuotam elektrikui patikrinti ir/ arba pataisyti. Naudokite tik originalias atsargines dalis. Prietaisą (tikrai su maitinimo laidu ir kištuku) gali išardyti ir/ arba taisyti tik įgalioti ir tinkamos kvalifikacijos asmenys.
- ▶ Rekomenduojama periodiškai tikrinti prietaisą.
- ▶ PRIETAISĄ GALI IŠARDYTI ARBA MODIFIKUOTI TIK SERTIFIKUOTAS PASLAUGŲ SERVISAS.
- ▶ PRIETAISĄ GALITE NAUDOTI TIK PAGAL PASKIRTĮ. JO NAUDOJIMAS KITIEMS TIKSLAMS BUS PRIIMTAS KAIP NETINKAMAS NAUDOJIMAS. UŽ VISĄ ŽALĄ AR SUGADINIMUS ESANČIUS TOKIO ELGESIO PASEKME ATSAKO NAUDOTOJAS O NE PRIETAISO GAMINTOJAS.
- ▶ Prietaisas visada turi būti vertikaloje padėtyje.
- ▶ Visus pašalinius daiktus reikia laikyti toliau nuo oro įpūtimo ir išpūtimo angų.
- ▶ Elektros maitinimas turi visuomet atitikti technines specifikacijas, nurodytas techninių duomenų skydelyje, esančiame užpakalinėje prietaiso dalyje.
- ▶ Jeigu elektros kabelis yra pažeistas, jį turi būti pakeisti autorizuoto serviso darbuotojas arba asmuo, turintis atitinkamas kvalifikacijas, tam, kad būtų išvengta grėsmės.
- ▶ Prietaiso įjungimui ir išjungimui niekuomet nenaudokite kištuko. Visuomet naudokite jungiklį, esantį valdymo skydelyje.
- ▶ Prieš prietaiso perstatymą, reikia jį pirmiausiai išjungti, o tuomet ištuštinti vandens talpą.
- ▶ Nenaudokite aerozolių nuo vabzdžių ir kitų degių valymo priemonių.
- ▶ Jokių būdu negalima prietaiso aplieti ar aptaškyti vandeniu.
- ▶ ŠIUO PRIETAISU NEGALI NAUDOTIS ASMENYS (TAIP PAT IR VAIKAI), TURINTYS FIZINĘ, SENSORINĘ ARBA PROTINĘ NEGALIĄ, ARBA ASMENYS, NETURINTYS NAUDOJIMOSI PRIETAISU PATIRTIES, JEIGU JŪNEAPMOKŪŽ JŪSAUGĄ ATSAKINGAS ASMUO. ĮSITIKINKITE, KAD VAIKAI NEŽAIDŽIA ŠIUO PRIETAISU.

## ▶▶ ŠALTNEŠIO R290 SAUGOS TAISYKLĖS:

- ▶ Atidžiai perskaitykite šiuos įspėjimus.
- ▶ Prietaisas turi šaltnešį R290. Šaltnešis R290 atitinka esančioms Europos Sąjungos direktyvoms. Nepradurti šaldymo sistemos. Šaltnešis R290 yra degus (GWP3)!
- ▶ Norėdami pagreitinti prietaiso atitirpinimą ar valymą, nenaudokite kitų gaminių ar priemonių išskyrus tuos, kuriuos rekomenduoja gamintojas.
- ▶ Laikykite prietaisą kambaryje, kuriame nėra pastovių uždegimo šaltinių (pvz. atvira liepsna, veikiantis dujų įrenginys ar veikiantis elektrinis šildytuvas).
- ▶ Nepermuškite ir nedeginkite sistemos šaldymo elementų. Nekreipkite šviesos tiesiai į prietaisą.
- ▶ Laikykite prietaisą taip, kad jis nebūtų mechaniškai pažeistas.
- ▶ Prietaisas turėtų būti įdiegtas, naudojamas ir sandėliuojamas patalpoje, kurios grindų paviršius didesnis negu 4 m<sup>2</sup>.
- ▶ Šaltnešis gali būti bekvapis, todėl sunku nustatyti nuotėkį sandarumą.
- ▶ Laikykites dujų standartų ir taisyklių tos šalies.
- ▶ Neuždenkite ventiliacijos angų.
- ▶ Prietaisą laikykite gerai vėdinamoje patalpoje atitinkančioje prietaiso technines specifikacijas dydį.
- ▶ Kiekvienas asmuo užsiimantis šaldymo sistemos eksploatavimu ar taisymu turi turėti atitinkamos techninės institucijos išduotą galiojantį pažymėjimą patvirtinantį šio asmens kompetenciją saugiai tvarkyti šaltnešius pagal priimtus standartus ir reglamentus.
- ▶ Techninė priežiūra turėtų būti atliekama tik laikantis prietaiso gamintojo nurodymų. Priežiūros ir remonto darbus, kuriems reikalingas kvalifikuotas aptarnavimo personalas turi atlikti asmuo turintis atitinkamas kompetencijas kaip naudoti degius šaltnešius.

## SVARBU!

Prietaiso nenaudokite, jeigu kambario temperatūra yra žemesnė nei 5°C, nes gyvatukas gali apledėti.

## ▶▶ 4. DALYS

- ▶ Priekis FIG. 2
- 1. Valdymo pultas
- 2. Apšvietimas
- 3. Priekinė korpuso plokštė
- 4. Užpakalinė korpuso plokštė

## ▶▶ 5. NAUDOJIMAS

- ▶ Užpakalinė dalis FIG. 3
  - 5. Ventiliacinis atvartas
  - 6. Laikiklis
  - 7. Oro įpūtimo anga / Filtrai
  - 8. Vandens lygio reguliavimo langelis
  - 9. Vandens talpa
- ▶▶ 5. NAUDOJIMAS
  - ▶ Valdymo skydelis FIG. 4
  - 1. Drėgmės nustatymo mygtukas
  - 2. Darbo režimo indikatorius (išsistinis, 40%, 50%, 60% arba 70% drėgmės)
  - 3. Temperatūros ir (arba) drėgmės lygio displėjus
  - 4. Laikmačio darbo indikatorius
  - 5. Temperatūros mygtukas
  - 7. Indikatorius DŽIOVINTUVAS
  - 8. Mygtukas DŽIOVINTUVAS
  - 9. Didelio greičio ventiliacijos indikatorius



10. Greičio ir (arba) ventilacijos mygtukas
11. Mažo greičio ventilacijos indikatorius
12. Elektros maitinimo indikatorius
13. ON/OFF (elektros maitinimo) mygtukas
14. „Pilnos vandens talpos“ indikatorius
15. Mygtukas LAIKRODIS

Priekiniame prietaiso skydelyje esantis indikatorius šviečia 3 spalvomis priklausomai nuo drėgmės lygio. Tai leidžia vartotojui greitai nustatyti kambario drėgmę:

Šviesiai mėlyna šviesa – patalpos drėgmė > 70%

Žalia šviesa - patalpos drėgmė 50~70%

Raudona šviesa - patalpos drėgmė < 50%

Mirganti raudona šviesa – pilna vandens talpa.

#### ► Naudojimas

1. Įrenginį įjunkite į atitinkamą elektros lizdą. (Patikrinkite įtampos ir dažnio parametrus, nurodytus įrenginio vardinių parametrų lentelėje).

2. Norėdami įjungti prietaisą, paspauskite ON/OFF mygtuką. Pradės veikti kompresorius.

3. Norėdami pasirinkti darbo režimą, paspauskite drėgmės lygio nustatymo mygtuką (išsivini, 40%, 50%, 60% arba 70% drėgmės režimas). Užsideds atitinkamos vertės indikatorius.

4. Norėdami nustatyti didelio arba mažo greičio ventilaciją, paspauskite greičio ir (arba) ventilacijos mygtuką. Užsideds atitinkamos vertės indikatorius.

5. Norėdami nustatyti įrenginio darbo laiką (1~24 valandos), paspauskite mygtuką LAIKRODIS. Displėjuje pasirodys pasirinktas laiko tarpas. Paspaudus mygtuką LAIKRODIS, displėjuje pamatysite pasirinktą laiką; nebespaudžiant mygtuko, po 8 sekundžių displėjuje bus vėl rodomas patalpoje esantis drėgmės lygis. Praėjus nurodytam laikui, kompresorius automatiškai išsijungs.

6. Paspaudus mygtuką „TEMP“, displėjuje bus rodoma patalpoje esanti temperatūra, atleidus mygtuką, po 8 sekundžių displėjuje bus vėl rodomas patalpoje esantis drėgmės lygis.

It 7. DŽIOVINTUVO funkcija įjungia turbo ventilacijos darbo režimą, kas reiškia pastovų drėgmės patalpoje džiovinimą; ši funkcija leidžia džiovinti skalbinius.

8. Norėdami išjungti įrenginį, paspauskite ON/OFF mygtuką.

9. Išankstinių nuostatų funkcija (PRE\_SET). Paspaudus mygtuką LAIKRODIS, neįjungiant jokių kitų įrenginio funkcijų (įskaitant ir ON/OFF mygtukus), galite iš anksto nustatyti prietaiso darbo laiką. Pavyzdžiui, jei laikrodą nustatysite ant "2", įrenginys automatiškai išsijungs po 2 valandų.

#### ►► 6. VANDENS IŠLEIDIMAS

Kuomet vandens talpa yra pilna, saugos tikslais kompresorius automatiškai išsijungs, o užsideds raudona pilnos vandens talpos indikatorius lemputė

Norėdami išimti vandens talpą, ištraukite ją statmena įrenginiui kryptimi.

Išpylę vandenį, talpą vėl įstatykite į jos vietą. Įsitinkite, ar ji yra tinkamai įstatyta: tuomet pilnos vandens talpos indikatorius lemputė užges ir sausintuvas automatiškai įsijungs.

Nepamirškite, kad jeigu talpa nebus įstatyta tinkamai, pilnos vandens talpos indikatorius lemputė visą laiką švies raudona šviesa.

#### PASTOVUS VANDENS NUTEKĖJIMAS

Jeigu oro sausintuvas yra naudojamas labai drėgnoje patalpoje, talpą reikės dažnai ištuštinti. Tokiu atveju daug patogiau yra naudoti pastovaus talpos ištuštinimo režimą. Tam reikia atlikti tokius veiksmus:

1. Išimti vandens talpą (FIG. 5)

2. Prie angos prijungti žarną vandeniui, kurios skersmuo yra 11 mm (žarnos nėra įrenginio komplekte) (FIG. 6).

3. Patikrinti, ar žarna yra tinkamai pritvirtinta ir ar vanduo išteka be kliūčių. Dėmesio! Labai žemoje temperatūroje būtina žarną papildomai apsaugoti nuo užšalimo.

4. Vandens talpą įstatykite į jo vietą.

#### ►► 7. VALYMAS

Prieš valymo ir taisymo darbus visuomet prietaisą išjunkite iš elektros tinklo.

#### KORPUSO VALYMAS

Prietaiso valymui naudokite minkštą šluostę.

Jokiu būdu nenaudokite lakių cheminių medžiagų, tirpiklių, benzino, cheminio valymo būdu valytų drabužių bei kitų valymui naudojamų tirpiklių. Kiekviena iš šių medžiagų gali sugadinti prietaiso korpusą.

#### FILTRO VALYMAS

Šis oro sausintuvo modelis turi 2 filtrų rūšis (FIG. 7):

##### 1. DULKIŲ FILTRAS

- Išimkite filtro laikiklį, išimkite aktyviosios anglies filtrą.

- Atsargiai išvalykite filtrą dulkių siurbliu arba nuskalaukite po tekančiu vandeniu. Jeigu filtras yra labai nešvarus, plaukite jį šiltu vandeniu su nedideliu švelnaus valiklio kiekiu.

- Prieš panaudojimą įsitinkite, ar filtras yra visiškai sausas.

- Saugokite filtrą nuo tiesioginių saulės spindulių poveikio.

2. AKTYVIOSIOS ANGLIES FILTRAS (dulkių dalelių iš oro surinkimui bei apsaugai nuo bakterijų dauginimosi).

Aktyviosios anglies filtras yra už dulkių filtro. Šio filtro negalima plauti. Aktyviosios anglies filtro patvarumas priklauso nuo sąlygų, esančių įrenginio darbo aplinkoje. Filtrą reikia periodiškai tikrinti ir, reikalui esant, keisti.

#### LAIKYMAS

Jeigu prietaisas nebus naudojamas ilgesnį laiką, reikia jį išjungti. Išjunkite ir išvalykite elektros kabelį.

► Visiškai ištuštinkite ir sausiai iššluostykite vandens talpą.

► Prietaisą pridenkite ir laikykite tokioje vietoje, kurioje jo neveiks saulės spinduliai.

#### ►► 8. GEDIMŲ ŠALINIMAS

##### PRIETAISAS NEVEIKIA:

► Ar prietaisas yra įjungtas į elektros tinklą?

► Ar namuose yra įjungta elektros srovė?

► Ar kambario temperatūra yra žemesnė nei 5°C arba aukštesnė nei 35°C? Jeigu taip, tai tokia temperatūra nėra darbinės prietaiso temperatūros ribose.

► Įsitinkite, ar higrostatas (arba jungiklis ON/OFF) yra įjungtas.

► Patikrinkite, ar vandens talpa prietaise yra tinkamai įstatyta ir ar ji nėra pilna.

► Patikrinkite, ar oro įpūtimo ir išpūtimo angos nėra užkištos.



**ATRODO, KAD PRIETAISAS NEVEIKIA:**

- ▶ Ar filtras nėra dulkinas arba purvinas?
- ▶ Ar oro įpūtimo ir išpūtimo angos nėra užkištos?
- ▶ Ar aplinkos drėgmė nėra per žema?

**ATRODO, KAD PRIETAISAS VEIKIA NENAŠIAI:**

- ▶ Ar nėra per daug atidarytų durų ir langų?
- ▶ Ar patalpoje nėra ko nors, kas labai didina aplinkos drėgmę?

**PRIETAISAS VEIKIA LABAI GARSIAI:**

- ▶ Patikrinkite, ar prietaisas stovi ant lygaus paviršiaus

**IŠ PRIETAISO TEKA VANDUO:**

- ▶ Patikrinkite, ar prietaiso techninė būklė yra gera.
- ▶ Jeigu nenaudojate pastovaus vandens nuleidimo funkcijos, patikrinkite, ar guminė tarpinė (prietaiso apačioje) yra savo vietoje.

**Klaidų kodai ekrane**

Kodas	Priežastis	Sprendimas
E1	Il sensore di temperatura dell'ambiente (con un riparo di resina) è aperto o funziona male per cortocircuito	Controllare che il sensore di temperatura dell'ambiente sia correttamente collegato alla piastra PCB Sostituire il sensore di temperatura dell'ambiente. Sostituire la piastra PCB principale. Il livello di umidità dell'aria è inferiore al 40% di umidità relativa.
E2	Il sensore del sistema di refrigerazione (con riparo di rame) è aperto o funziona male per cortocircuito	Controllare che il sensore sia correttamente collegato alla piastra PCB Sostituire il sensore Sostituire la piastra PCB principale.
E3	Temperatūros jutiklio (TC) laidas yra atsilaisvinęs arba pažeistas. Prietaisas skleis signalą per 3 sekundes, o E3 pranešimas mirksės kas sekundę. Kompresorius ir ventiliatoriaus variklis nustos veikti.	Jutiklis turėtų būti patikrintas ir pakeistas.
E5	Jei TC jutiklio nuskaityta temperatūra yra bent 130°C ilgiau kaip 5 sekundes, įrenginys skleis signalą per 3 sekundes ir E5 pranešimas mirksės kas sekundę. Kompresorius ir ventiliatoriaus variklis nustoja veikti.	Esant tokiai situacijai išjunkite ir vėl įjunkite prietaisą naudodamiesi ON/OFF mygtuku, kad patikrinti ar E5 pranešimas vis tiek bus rodomas. Jei klaida išlieka tai reiškia, kad kompresoriaus sistema veikia netinkamai. Turi būti patikrinta kompresoriaus sistema ir pašalinta klaida.

## SATURS

1...	<b>DARBĪBA</b>
2...	<b>NOVIETOŠANA</b>
3...	<b>IETEIKUMI PIRMS IERĪCES LIETOŠANAS</b>
4...	<b>SASTĀVDAĻAS</b>
5...	<b>LIETOŠANA</b>
6...	<b>ŪDENS IZVADE</b>
7...	<b>KONSERVĀCIJA UN UZTURĒŠANA</b>
8...	<b>KĻŪDU NOTEIKŠANA</b>

**PIRMS IERĪCES LIETOŠANAS PRECĪZI IEPAZĪSTĪETIES AR INSTRUKCIJU UN SAGLABĀJIET TO TURPMĀKAJAI IZMANTOŠANAI.**

### ►► 1. DARBĪBA

Šī ierīce kalpo gaisa sausināšanai. Tā kontrolē relatīvo mitrumu, uzsūcot gaisu caur ierīci un kondensējot mitruma pārmērību uz dzesējošiem elementiem. Kontakts ar aukstu virsmu izraisa gaisa mitruma kondensāciju. Vēlāk kondensēts ūdens tiek droši izvadīts ūdens tvertnē. Izsausināts gaiss iziet caur kondensatoru, kur tas tiek nedaudz uzsildīts un pēc tam ievadīts atpakaļ telpā, pie kam tā temperatūra ir nedaudz augstāka.

#### ► FIG. 1

1. SILTĀKS SAUSS GAISS,
2. KONDENSATORS,
3. IZTVAIKOTĀJS – auksta serpentīncaurule,
4. AR MITRUMU PIESĀTINĀTS GAISS,
5. ŪDENS TVERTNE,
6. KOMPRESORS,
7. DZINĒJS,
8. VENTILATORA ROTORS.

### ►► 2. NOVIETOŠANA

Mitruma pārmērība izplatās mājā, tādā pašā veidā kā smarža izplatās telpā, kurā vāra ēdienu. Tādēļ sausinātāju ir jānovieto tā, lai tas varētu uzsūkt mitru gaisu no visas mājas.

Gadījumā, ja vienā vietā uzradīsies problēma, sausinātāju var pārvietot tuvāk tai vietai, bet vēlāk jāpārvieto to uz centrālāku punktu.

Novietojot sausinātāju ir jāpārbauda, vai tas tiek uzstādīts uz līdzenas virsmas un ka no katras ierīces puses ir 10 cm (4") brīvas telpas, lai nodrošinātu ražīgu gaisa plūsmu. Sausinātājs ir aprīkots ar skrūļiem lai nodrošinātu labāku manevrēšanu.

Pirms ierīces pārvietošanas izslēdziet sausinātāju un iztukšojiet ūdens tvertni.

Nav ieteicams lietot pagarinātāju, tādēļ ir jāpārbauda, ka ierīce atrodas pietiekami tuvu rozetei. Ja ir nepieciešams izmantot pagarinātāju, pārbaudiet, vai kabeļa vada diametrs ir vismaz 1 mm<sup>2</sup>.

Sausinātāja lietošanas laikā ārējām durvīm un logiem ir jābūt aizvērtiem lai nodrošinātu vislielāko ierīces ražību.

### ►► 3. IETEIKUMI PIRMS IERĪCES LIETOŠANAS UZMANĪBU!



Simboliem uz ierīces ir šāda nozīme:

- Ierīce ir piepildīta ar R290 propānu. Ir stingri jāievēro ierīces ražotāja lietošanas un remonta norādījumi!
- Pirms ierīces iedarbināšanas precīzi iepazīties ar lietošanas instrukciju.
- Neuzstādīt, nelietot un neuzglabāt ierīci telpā, kas ir mazāka par 4 m<sup>2</sup>.

### VISPĀRĒJIE DROŠĪBAS NOTEIKUMI

- TIKAI LIETOŠANAI TELPĀS.
- Nelietojiet ierīci virtuves aparātē, drēbju skapjos, laivās, treileros vai līdzīgās slēgtās telpās.
- Nelietojiet ierīci peldbaseinu tuvumā, mazgāšanās telpās vai citās mitrās telpās.
- Nogaidiet 12 stundas pirms ierīces pievienošanas strāvas padevei pēc transportēšanas vai pēc tam, kad tā tika sasvērta (piemēram, tīrīšanas laikā).
- Novietojiet ierīci vertikālā pozīcijā uz līdzenas virsmas (arī transportēšanas laikā!) Un vismaz 50 cm attālumā no citiem priekšmetiem.
- Nelietojiet ierīci potenciāli sprādzienbīstamā vidē, kurā ir viegli uzliesmojoši šķidrums, gāzes vai putekļi.
- Nelietojiet ierīci viegli uzliesmojošu vai sprādzienbīstamu vielu vai degvielu tuvumā. Neizsmidziniet ierīces tuvumā krāsas, tīrīšanas līdzekļus, insekticīdus vai līdzīgus līdzekļus, jo tas var deformēt plastmasas detaļas vai sabojāt elektrisko instalāciju.
- Starp ierīces sāniem un viegli uzliesmojošiem, uzsildāmiem materiāliem atstājiet vismaz 50 cm atstarpi.
- Nenovietojiet uz ierīces nekādus priekšmetus un neaizklājiet gaisa ieplūdes un izplūdes atveres.
- Sargājiet ierīci no šļakatām.
- Uzraugiet bērnus un mājdzīvniekus funkcionējošas ierīces tuvumā.
- NEĻĀUJIET BĒRNIEM SPĒLĒT AR IERĪCI.
- Bērni nevar tīrīt un apkopt ierīci bez pieaugušo personu uzraudzības.
- Izslēdziet ierīci un atvienojiet to no elektrotīkla, kad nav

lietota.

- ▶ Nedrīkst atstāt strādājošo ierīci bez uzraudzības.
- ▶ Nedrīkst vilkt ierīci ar barošanas vadu.
- ▶ Izvairieties no strāvas vada pārmērīgas sagriešanas, vīšanas un vilkšanas, kā arī nesasaistiet to ar neilona vai tērauda stiepli.
- ▶ Pārlicinieties, ka kontaktdakša un kontaktligzda atrodas redzamā un viegli pieejamā vietā.
- ▶ Nelietojiet pagarināšanas vadus.
- ▶ Negrābstiet ierīci, ja tā ir iekritusi ūdenī. Tādā gadījumā nekavējoties atslēdziet elektroapgādes vadu. Pirms atkārtotas lietošanas pārbaudiet ierīces stāvokli.
- ▶ Ierīcei jābūt pieslēgtai saskaņā ar nacionālajiem noteikumiem un elektriskajiem standartiem.
- ▶ Nepārsniedziet ieteikto telpas lielumu, lai ierīce būtu maksimāli efektīva.
- ▶ Aizveriet durvis un logu.
- ▶ Ievērojama saules starojuma gadījumā aizveriet aizkarus vai nolaidiet žalūzijas.
- ▶ Rūpējieties par filtru tīrību.
- ▶ Kad istabas apstākļi sasniedz mērķa līmeni, samaziniet temperatūras un gaisa plūsmas iestatījumus.
- ▶ Nedarbiniet ierīci, ja tā, tās strāvas vads vai kontaktdakša ir bojāti, ja ierīce darbojas nepareizi vai ir citas defekta pazīmes. Nododiet visu ierīci pārdevējam vai kvalificētam elektriķim pārbaudei un/vai remontam. Lietojiet tikai oriģinālu rezerves daļu. Ierīci (ieskaitot strāvas vadu un kontaktdakšu) var demontēt un/vai remontēt tikai pilnvarotas un attiecīgi kvalificētas personas.
- ▶ Ieteicams periodiski veikt ierīces servisa pārbaudi.
- ▶ IERĪCI VAR DEMONTĒT VAI MODIFICĒT TIKAI SERTIFICĒTS SERVISA DARBINIEKS.
- ▶ IERĪCI VAR LIETOT TIKAI SASKAŅĀ AR MĒRĶI. IERĪCES LIETOŠANA CITIEM MĒRĶIEM BŪS UZSKATĪTA PAR NEPAREIZU LIETOŠANU. LIETOTĀJS ATBILD PAR JEBKĀDIEM BOJĀJUMIEM VAI KAITĒJUMIEM, SAVIENOTIEM AR NEPAREIZU LIETOŠANU, NEVIS RAŽOTĀJS.
- ▶ Ierīcei ir vienmēr jāatrodas vertikālā stāvoklī.
- ▶ Visus svešķermeņus ir jāpatur tālu no gaisa ieplūdes uz izplūdes caurumiem.
- ▶ Elektroapgādei ir jāatbilst specifikācijai norādītai uz datu plāksnītes, novietotas ierīces aizmugurē.
- ▶ Ja barošanas vads ir bojāts, to ir jānomaina. To var veikt autorizēts servisa pārstāvis vai persona ar atbilstošām kvalifikācijām, lai izvairītos no briesmām.
- ▶ Ierīces ieslēgšanai un izslēgšanai nekādā gadījumā neizmantojiet kontaktdakšu. Vienmēr ir jāizmanto slēdzi uz vadības pults.
- ▶ Pirms ierīces pārvietošanas izslēdziet sausinātāju un iztukšojiet ūdens tvertni.
- ▶ Nelietojiet aerosolus pret tārpiem un citus viegli uzliesmojošus tīrīšanas līdzekļus.
- ▶ Nekāda gadījumā ierīci nedrīkst apliet vai apsmidzināt ar ūdeni.
- ▶ ŠĪ IERĪCE NAV PAREDZĒTA PERSONĀM (IESKAITOT BĒRNUS) AR IEROBEŽOTĀM FIZISKAJĀM, SENSORISKAJĀM VAI PSIHISKAJĀM SPĒJĀM VAI PERSONĀM BEZ PIEREDZES UN APMĀCĪBAS NO ATBILDĪGAS PAR DROŠĪBU PERSONAS PUSES. BĒRNIEM NEDRĪKST SPĒLĒT AR IERĪCI.

## ▶▶ DROŠĪBAS NOTEIKUMI ATTIECĪBĀ UZ AUKSTUMAĢENTU R290:

- ▶ Uzmanīgi izlasiet šādus brīdinājumus.
- ▶ Ierīcē ir aukstumaģents R290. Aukstumaģents R290 atbilst attiecīgajām Eiropas Savienības direktīvām. Neizdurt dzesēšanas sistēmu. Aukstumaģents R290 ir viegli uzliesmojoša viela (GWP3)!
- ▶ Lai paātrinātu ierīces atkausēšanu vai tīrīšanu, nelietojiet citas ierīces vai līdzekļus, izņemot ražotāja ieteiktos.
- ▶ Uzglabājiet ierīci telpā, kurā nav pastāvīgu aizdegšanās avotu (piemēram, atklāta liesma, funkcionējoša gāzes ierīce vai funkcionējošs elektriskais sildītājs).
- ▶ Neuzdurt un nededzināt sistēmas dzesēšanas komponentus. Nevirzīt gaismu tieši uz ierīci.
- ▶ Uzglabājiet ierīci tā, lai tā netiktu mehāniski sabojāta.
- ▶ Ierīce jābūt instalēta, lietota un glabāta telpā ar grīdas platību, kas pārsniedz 4 m<sup>2</sup>.
- ▶ Aukstumaģents var būt bez smaržas, kas apgrūtina sūces atklāšanu.
- ▶ Ievērojiet valsts standartus un noteikumus par gāzveida degvielu.
- ▶ Nedrīkst slēgt ierīces ventilācijas caurumus.
- ▶ Uzglabājiet ierīci labi vēdināmā telpā, kas atbilst ierīces tehniskajām specifikācijām.
- ▶ Katrai personai, kas iesaistīta dzesēšanas sistēmas darbībā vai remontā, jābūt derīgam sertifikātam, ko izdevusi attiecīgā tehniskā institūcija, kas apliecina šīs personas kompetenci aukstumaģenta drošā apkopē saskaņā ar pieņemtajiem standartiem un noteikumiem.
- ▶ Servisa apkope jāveic tikai saskaņā ar ierīces ražotāja norādījumiem. Apkopes un remonta darbi, kuriem nepieciešama kvalificēta apkalpojošā personāla klātbūtne, jāveic tādas personas uzraudzībā, kurai ir kvalificēta izmantot uzliesmojošus dzesēšanas līdzekļus.

## SVARĪGI!

Neizmantojiet ierīci ja telpas temperatūra ir zemāka par 5°C lai izvairītos no iztvaikotāja serpentīncaurules apledošanas.

## ▶▶ 4. SASTĀVDAĻAS

- ▶ Priekšpuse FIG. 2
  1. Vadības panelis
  2. Apgaismošana
  3. Priekšēja plāksnīte
  4. Aizmugurēja plāksnīte
- ▶ Aizmugure FIG. 3
  5. Ventilācijas vāks
  6. Rokturis
  7. Gaisa ieplūde / Filtri
  8. Ūdens līmeņa regulācijas logs
  9. Ūdens tvertne

## ▶▶ 5. LIETOŠANA

- ▶ Vadības pults FIG. 4
  1. Mitruma uzstādīšanas poga
  2. Darba režīma rādītājs (pastāvīgs darbs, mitrums 40%, 50%, 60%, 70%)
  3. Temperatūras/mitruma displejs
  4. Laikdeva darba rādītājs
  5. Poga temperatūras parādīšanai
  7. Rādītājs SUSINĀTĀJS
  8. Poga SUSINĀTĀJS
  9. Ventilācijas augstā ātruma rādītājs
  10. Ātrums/ventilācija poga

11. Ventilācijas zemā ātruma rādītājs
12. Barošanas rādītājs
13. ON/OFF poga (barošana)
14. „Ūdens aizpildīšanas” rādītājs
15. Poga PULKSTENIS

Indikators ierīces priekšējā panelī iedegas 3 dažādās krāsās, atkarībā no gaisa mitruma līmeņa. Tas lietotājam ļauj ātri noteikt telpas mitruma līmeni:

Zila gaisma - gaisa mitrums > 70%

Zaļa gaisma - gaisa mitrums > 50~70%

Sarkana gaisma - gaisa mitrums < 50%

Mirgojoša sarkana gaisma - ūdens aizpildīšanas signalizācija

#### ► Lietošana

1. Pieslēdziet ierīci pie attiecīgas barošanas ligzdas. (Lūdzam pārbaudīt sprieguma/frekvences vērtību uz ierīces nominālas tabuliņas).
2. Piespiediet ON/OFF pogu, lai iedarbināt ierīci. Kompresors sāks funkcionēt.
3. Piespiediet mitruma uzstādīšanas pogu, lai izvēlēt darba režīmu: pastāvīgais darbs, mitruma līmenis 40%, 50%, 60% vai 70%. Uzliesmos attiecīgs izvēlētais vērtības rādītājs.
4. Piespiediet ātrums/ventilācija pogu, lai noteikt ventilācijas ātrumu, augstu vai zemu. Uzliesmos attiecīgs izvēlētais vērtības rādītājs.
5. Piespiediet PULKSTENIS pogu, lai noteikt nepieciešamu darba laiku (1~24 stundas). Pēc PULKSTENIS pogas piespiešanas displejs parādīs aktuāli izvēlētu laiku, pēc apm. 8 sekundēm displejs atkārtoti sāks attēlot telpas mitruma līmeni. Pēc attiecīga laika pabeigšanas kompresors automātiski izslēgs.
6. „TEMP” poga ierosinās aktuālas telpas temperatūras demonstrēšanu, pēc apm. 8 sekundēm displejs atkārtoti sāks attēlot telpas mitruma līmeni.
7. SUSINĀTĀJS funkcija ieslēdz ventilācijas sistēmas turbo režīmu, kas atļauj pastāvīgi susināt mitrumu no gaisa, funkcija atļauj susināt mazgātu veļu.
8. Lai izslēgt ierīci, piespiediet ON/OFF pogu.
9. Agrākas ieslēgšanas funkcija (PRE-SET), ar pogu PULKSTENIS, bez citu ierīces funkciju ieslēgšanas (arī ON/OFF pogas), atļauj programmēt ierīces ieslēgšanas laiku / Piem, kad pulkstenis ir uzstādīts uz '2', ierīce iedarbinās automātiski pēc 2 stundām.

#### ►► 6. ŪDENS IZVADE

Kad ūdens tvertne ir pilna, kompresors automātiski izslēgs pēc drošības iemesliem, un ūdens aizpildīšanas rādītājs uzliesmos ar sarkanu krāsu.

Lai noņemt ūdens tvertni, izbāziet to perpendikulāri no ierīces.

Pēc ūdens tvertnes iztukšošanas novietojiet to uz vietas. Pārbaudiet, vai tvertne ir pareizi novietota, tad aizpildīšanas signāls izslēgs un susinātājs ieslēgs.

Kad ūdens tvertne nav pareizi novietota, aizpildīšanas signāls turpinās spīdēšanu ar sarkanu krāsu.

#### PASTĀVĪGĀ ŪDENS IZVADE

Gadījumā, kad susinātājs ir izmantots augstā mitruma apstākļos, ūdens tvertni būs nepieciešami biežāk iztukšot. Tādā situācijā ērtāk būs pārslēgt ierīci uz pastāvīgu tvertnes iztukšošanu, lai to darīt, veiciet sekojošu darbību:

1. Noņemiet ūdens tvertni (FIG. 5).
2. Pieslēdziet ūdens vadu pie izejas caurumu ar diametru: 11 mm (vads nav piegādāts komplektā ar ierīci) (FIG. 6).
3. Pārbaudiet, vai vads ir attiecīgi piestiprināts un ūdens var tecēt bez traucējumiem. Uzmaniību! Ļoti zemās temperatūras jāpasargā vads no sasalšanas.
4. Novietojiet ūdens tvertni savā vietā.

#### ►► 7. KONSERVĀCIJA UN UZTURĒŠANA

Pirms ierīces konservācijas vai tīrīšanas uzsākšanas, ierīci vienmēr ir jāatslēdz no enerģijas avota.

#### KORPUSA TĪRĪŠANA

Lai notīrītu ierīci, izmantojiet mīkstu švammi.

Nekāda gadījuma neizmantojiet gaistošas ķīmikālijas, detergentus, degvielu, ķīmiski apstrādātas drānas vai citus tīrīšanas šķīdumus. Katra no šīm vielām var bojāt ierīces apvalku.

#### FILTRA TĪRĪŠANA

Šis susinātāja modelis ir apgādāts ar 2 filtru veidiem (FIG. 7):

##### 1. PRETPUTEKĻU FILTRS

- Noņemiet filtra fiksēšanu, noņemiet aktīvas ogles filtru.

- Delikāti notīrīt filtru ar putekļu sūcēju vai noskalot zem ūdens. Ja filtrs ir stipri piesārņots, izmantot siltu ūdeni ar delikāta deterģenta nelielu daudzumu.

- Pārbaudiet, vai filtrs ir pilnīgi sauss pirms atkārtotas izmantošanas.

- Nedrīkst atstāt filtru zem tiešiem saules stariem.

##### 2. AKTĪVS OGLES FILTRS (putekļu daļiņu absorbēšanai no gaisa un baktēriju attīstības ierobežošanai).

Aktīvs ogles filtrs atrodas aiz pretputekļu filtra, un otrādi, tas nav mazgājams. Ogles filtra izturība ir atkarīga no apkārtnes apstākļiem vietā, kur ierīce ir izmantota. Filtrs jābūt periodiski pārbaudīts un mainīts pēc nepieciešamības.

#### UZGLABĀŠANA

Ja ierīce netiek izmantota ilgāko laiku, to ir jāizslēdz. Barošanas vadu ir jāatslēdz un jāiztīra:

► Pilnīga ir jāiztukšo un līdz sausumam jānotīra ūdens tvertne.

► Ierīci ir jānosedz un jānoglabā vietā, kas būs pasargāta no saules stariem.

#### ►► 8. KĻŪDU NOTEIKŠANA

##### IERĪCE NEDARBOJĀS:

► Vai ierīce ir pievienota pie elektrotīkla?

► Vai mājā ir elektrība?

► Vai vides temperatūra ir zemāka par 5°C vai augstāka par 35°C? Ja tā ir, tad temperatūra ir ārpus ierīces darbības diapazona.

► Ir jāpārbauda vai higrostats (vai ON/OFF pārslēgs) ir ieslēgts.

► Ir jāpārbauda vai ūdens tvertne ir pareizi novietota un nav pilna.

► Ir jāpārbauda, vai gaisa ieplūdes un izplūdes caurumi nav nobloķēti,

##### LIEKĀS KA IERĪCE NEKO NEDARA:

► Vai filtrs nav putekļains, netīrs?

► Vai gaisa ieplūdes un izplūdes caurumi nav nobloķēti?

► Vai gaisa mitrums nav jau pārāk zems?

## LIEKĀS KA IERĪCE NESTRĀDĀ RAŽĪGI:

- ▶ Vai nav pārāk daudz atvērtu durvju un logu?
- ▶ Vai telpā atrodas kaut kas, kas izraisa lielu mitrumu?

## IERĪCE IR PĀRĀK SKAĻA

- ▶ Ir jāpārbauda vai ierīce ir novietota uz līdzenas virsmas

## IERĪCE SŪCĀS

- ▶ Ir jāpārbauda vai ierīce ir labā tehniskā stāvoklī.
- ▶ Ja jūs neizmantojiet pastāvīgās ūdens izvades opciju, pārbaudiet vai gumijas aizbāznis atrodas savā vietā (ierīces apakšdaļā)

Kļūdu kodi uz displeja		
Kods	Cēlonis	Risinājums
E1	Apkārtnes temperatūras devējs (ar sveķu apvalku) ir atvērts vai nepareizi funkcionē pēc isslēguma.	Pārbaudīt, vai apkārtnes temperatūras devējs ir attiecīgi pieslēgts pie drukātas plāksnītes.
		Mainīt apkārtnes temperatūras devēju.
		Mainīt galveno drukāto plāksnīti.
		Gaisa mitruma līmenis ir zemāks par relatīvā mitruma 40%.
E2	Dzesēšanas sistēmas devējs (ar vara apvalku) ir atvērts vai nepareizi funkcionē pēc isslēguma.	Pārbaudīt, vai devējs ir attiecīgi pieslēgts pie drukātas plāksnītes.
		Mainīt devēju.
		Mainīt galveno drukāto plāksnīti.
E3	Temperatūras sensora (TC) vadības kabelis ir vaļīgs vai bojāts. Ierīce emitēs skaņu 3 sekundes laikā, un E3 ziņojums mirgos katru sekundi. Kompresors un ventilatora motors vairs nedarbosies.	Sensors ir jāpārbauda un jānomaina.
E5	Ja TC sensora nolasītā temperatūra ir vismaz 130°C ilgāk par 5 sekundēm, ierīce emitēs skaņu 3 sekundes laikā un E5 ziņojums mirgos katru sekundi. Kompresors un ventilatora motors vairs nedarbojas.	Šādā situācijā izslēdziet un atkal ieslēdziet ierīci ar ON/OFF pogu, lai pārbaudītu, vai E5 ziņojums joprojām tiks parādīts. Ja kļūda atkārtojas, tas nozīmē, ka kompresora sistēma darbojas nepareizi. Ir jāpārbauda kompresora sistēma un jānovērš kļūda.



# CONTENTS

1...	<b>TEGEVUS</b>
2...	<b>PAIGALDUS</b>
3...	<b>SOOVITUSED ENNE SEADME KASUTAMIST</b>
4...	<b>OSAD</b>
5...	<b>KASUTAMINE</b>
6...	<b>VEE ÄRAVOOL</b>
7...	<b>PUHASTAMINE JA HOOLDUS</b>
8...	<b>VEA TUVASTAMINE</b>

**ENNE SELLE SEADME ESIMEST KASUTAMIST LUGEGE HOOLIKALT LÄBI KASUTUSJUHEND JA HOIDKE SEE EDASPIDISEKS ALLES.**

## ►► 1. TEGEVUS

Antud toode on mõeldud õhu kuivatamiseks. Ta kontrollib suhtelist õhuniiskust, juhtides õhku läbi seadme ja põhjustades liigniiskuse kondenseerumist jahutuselementidele. Kokkupuude külma pinnaga põhjustab niiskuse kondenseerumist õhus. Seejärel juhitakse kondenseeritud vesi ohutult veepaaki. Kuivatatud õhk läbib kondensaatori, kus seda veidi kuumutatakse ja juhitakse seejärel uuesti ruumi, mille käigus selle temperatuur pisut tõuseb.

### ► PILT 1

1. kuiva õhu väljavool,
2. kondensaator,
3. aurusti,
4. niiske õhu sissevool,
5. veemahuti,
6. kompressor
7. mootor
8. ventilaatori tiivik

## ►► 2. PAIGALDUS

Liigne niiskus levib kogu teie kodus samamoodi, nagu toidu keetmisel levivad ruumis toidulõhnad. Sel põhjusel tuleks õhukuivati paigutada nii, et see koguks niisket õhku kogu majast. Kui ühes piirkonnas tekib suurem probleem, on võimalik paigutada õhukuivati selle koha lähedale ja seejärel selle teisaldamine kesksesse kohta. Õhukuivati paigutamisel veenduge, et see oleks asetatud tasasele pinnale ja seadme mõlemal küljel oleks 10 cm (4") vaba ruumi, et võimaldada õhuvoolu tõhus ringlemine. Parema liikuvuse tagamiseks on antud õhukuivati varustatud rullikratastega. Seadme teisaldamise vajadusel lülitage see eelnevalt välja ja tühjendage veepaak. Pikendusjuhtme kasutamine ei ole soovitatav, seetõttu tuleb veenduda, kas seade on paigutatud pistikupesale piisavalt lähedale. Pikendusjuhtme kasutamise vajadusel veenduge, et kaabli juhtmete läbimõõt oleks vähemalt 1 mm<sup>2</sup>.

Kui õhukuivati töötab, tuleks seadme töö maksimaalse tõhususe tagamiseks vajadusel välisüksed ja aknad sulgeda.

## ►► 3. JUHISED ENNE SEADME ESMAKASUTUST TÄHELEPANU!



► Seade on täidetud propaaniga R290. Järgige seadme kasutamisel ja parandamisel rangelt tootja juhiseid!

► Enne seadme esmakasutust lugege hoolikalt kasutusjuhendit.

► Ärge paigaldage, kasutage ega hoidke seadet ruumis, mis on väiksem kui 4m<sup>2</sup>.

### ÜLDISED OHUTUSJUHISED

► AINULT SISERUUMIDES KASUTAMISEKS.

► Ärge kasutage seadet kööginööblisse integreerituna, kapis, paadis, haagissuvilas või muus suletud ruumis.

► Ärge kasutage seadet basseinide läheduses, pesuruumides ega muudes märgades ruumides.

► Oodake 12 tundi enne seadme toiteallikaga ühendamist pärast selle transporti või kui see oli kallutatud asendis (nt puhastamise ajal).

► Asetage seade püstiasendisse tasasele pinnale (ka transportimise ajal!) ja vähemalt 50 cm kaugusele muudest esemetest.

► Ärge kasutage seadet plahvatusohtlikus keskkonnas, mis sisaldab tuleohtlikke vedelikke, gaase või tolm.

► Ärge kasutage seadet tuleohtlike või plahvatusohtlike ainete või kütuste läheduses. Ärge pihustage seadme lähedusse värve, puhastusvahendeid, insektitside ega muid sarnaseid aineid, kuna see võib deformeerida plastosasid või kahjustada elektrisüsteemi.

► Jätke seadme külgede ja tuleohtlike soojenevate materjalide vahele vähemalt 50 cm vaba ruumi.

► Ärge asetage ühtegi eset seadmele ega katke õhu sisse- ja väljalaskeava.

► Kaitske seadet pritsmete eest.

► Jälgige töötava seadme läheduses olevaid lapsi ja lemmikloomi.

► ÄRGE LASKE LASTEL SEADMEGA MÄNGIDA.

► Lapsed ei tohi seadet ilma täiskasvanute järelevalveta puhastada ega hooldada.

► Lülitage seade välja ja eemaldage see toiteallikast, kui seda ei kasutata.

► ÄRGE JÄTKE TÖÖTAVAT SEADET JÄRELEVALVETA.

► Ärge kasutage seadme tõmbamiseks toitejuhet.

► Vältige toitejuhtme liigset keerumist, väändumist või tõmbamist ning ärge siduge seda kokku nailon- või teras- traadiga.

► Veenduge, et pistik ja pistikupesa oleksid nähtavas ja kergesti ligipääsetavas kohas.

► Mitte kasutada pikendusjuhet.

► Mitte haarata seadmest, kui see on kukkunud vette. Sellisel juhul tuleb seade koheselt väljalülitada toitejuhtmega. Enne taaskasutust kontrollige seadme seisukorda.

► Seade tuleb ühendada vastavalt riiklikele seadustele ja elektrit puudutavatele standarditele.

► Seadme maksimaalse efektiivsuse saavutamiseks ärge ületage soovitatud ruumi suurus.

► Sulgege uksed ja aknad.

► Tugeva päikesevalguse korral tõmmake ette kardinaid või laske alla rulood.

► Hoolitsege filtrite puhtuse eest.

► Kui ruumi tingimused on saavutanud sihttaseme, vähendage temperatuuri ja õhuvoolu sätteid.

► Ärge kasutage seadet, kui seade, toitejuhe või pistik on kahjustatud, seade ei tööta korralikult või on muid rikkeid. Viige seade tervikuna edasimüüja või kvalifitseeritud elektri- triku juurde selle ülevaatuseks ja/või remondiks. Kasutage ainult originaalvaruosi. Seadet (sh toitejuhet ja pistikut) võivad lahti võtta ja/või parandada ainult selleks volitatud ja vastava kvalifikatsiooniga isikud.

► Soovitatav on seadme perioodiline ülevaatus.

► SEADME VÕIB LAHTI MONTEERIDA VÕI MODIFITSEERIDA AINULT SERTIFITSEERITUD TEENINDUSTÖÖTAJA.

► SEADET VÕIB KASUTADA AINULT SELLE EESMÄRGIKOHASELT. SELLE KASUTAMINE TEISEKS EESMÄRGIKS ON KUJUTAB ENDAST VALET KASUTAMIST. SELLISEST KÄITUMUSEST TULENEVA KAHJU VÕI VIGASTUSTE EEST VASTUTAB KASUTAJA, MITTE SEADME TOOTJA.

► Seade peab alati paiknema püstiasendis.

► Hoidke kõiki võõrkehi õhu sisse- ja väljalaskeavadest eemal.

► Elektritoidide peab vastama seadme tagaküljel olevale, andmesildile märgitud spetsifikatsioonile

► Kui toitejuhe on kahjustatud, peab selle ohu vältimiseks välja vahetama volitatud teenindaja (sobiva kvalifikatsiooniga isik).

► Ärge kunagi kasutage seadme sisse- ja väljalülitamiseks pistikut. Kasutage alati juhtpaneelil paiknevat lülitit.

► Enne seadme teisaldamist lülitage see kõigepealt välja ja tühjendage veepaak.

► Ärge kasutage kahjuri pritsmeid ega muid tuleohtlikke puhastusvahendeid.

► Mingil juhul ei tohi seadet kasta ega veega piserdada.

► ANTUD SEADE EI OLE ETTE NÄHTUD KASUTAMISEKS PIIRATUD FÜÜSILISTE, SENSOORSETE VÕI VAIMSETE VÕIMETEGA VÕI VASTAVATE KOGEMUSTE JA TEADMISTETA ISIKUTE (SH LASTE) POOLT, V.A JUHUL, KUI NAD TEGUTSEVAD JÄRELEVALVE ALL VÕI NEID ON JUHENDATUD SEADME OHUTU KASUTAMISE OSAS NENDE OHUTUSE EEST VASTUTAVA ISIKU POOLT.

► ► **KÜLMUTUSAGENSIGA R290 SEOTUD OHUTUSJUHISED:**

► Palun lugege hoolikalt järgmisi hoiatusi.

► Seade sisaldab külmutusainet R290. Külmutusagens R290 vastab asjakohastele ELi direktiividele. Ärge torkige

jahutussüsteemi. Külmutusagens R290 on tuleohtlik (GWP3)!

► Ärge kasutage seadme sulatamise kiirendamiseks või puhastamiseks muid kui tootja soovitatud seadmeid või vahendeid.

► Hoidke seadet ruumis, kus ei ole püsivaid süüteallikaid (nt lahtine tuli, töötav gaasiseade või töötav elektriküte).

► Ärge läbistage ega süüdake seadme külmutusseadmeid. Ärge suunake valgust otse seadme poole.

► Hoidke seadet nii, et see ei saaks mehaaniliselt kahjustada.

► Seade tuleb paigaldada, kasutada ja hoiustada ruumis, mille põrandapind on suurem kui 4m<sup>2</sup>.

► Külmutusaine võib olla lõhnatu, mis raskendab lekete avastamist.

► Järgige riiklikele standarditele ja eeskirjadele gaasiliste kütuste kohta.

► Ärge katke ventilatsioonivahendid.

► Hoidke seadet hästi ventileeritavas ruumis, mille suurus vastab seadme tehnilisele spetsifikatsioonile.

► Igal isikul, kes hooldab või remondib jahutussüsteemi, peab olema asjakohase tehnilise asutuse väljastatud kehtiv tunnistus, mis tõendab, et isik on pädev käitlema külmutusaineid ohutult vastavalt tunnustatud standarditele ja eeskirjadele.

► Hooldustöid tuleks teha ainult vastavalt seadme tootja soovitusetele. Hooldus- ja remonditööd, mis nõuavad kvalifitseeritud hoolduspersonali kohalolekut, tuleks läbi viia tuleohtlike külmutusagensite kasutamiseks kvalifitseeritud isiku järelevalve all.

#### **TÄHTIS!**

Seadet ei tohi kasutada toatemperatuuril alla 5 °C, et vältida aurustuspiraali jäätumist.

#### **► ► 4. OSAD**

► Esiosa PILT. 2

1. Juhtpaneel
2. Taustvalgus
3. Esiplaat
4. Tagumine plaat

#### **► Tagaosa PILT. 3**

5. Ventilatsiooni klapp
6. Käepide
7. Õhu sissevool / Filtrid
8. Veetaseme aken
9. Vee mahuti

#### **► ► 5. KASUTAMINE**

► Juhtpaneel PILT. 4

1. Niiskuse seadistamise nupp
2. Töörežiimi indikaator (pidev, niiskus 40%, 50%, 60%, 70%)
3. Temperatuuri/niiskuse ekraan
4. Ajarelee töö näidik
5. Temperatuuri kuvamise nupp
7. DRYER indikaator
8. DRYER nupp
9. Ventilatsiooni suure kiiruse näidik
10. Kiiruse/ventilatsiooni nupp

11. Ventilatsiooni aeglase kiiruse näidik
12. Toitenäidik
13. Nupp ON/OFF (toide)
14. „Veega täitumise” näidik
15. Nupp KELL

Please note, the indicator in the front plate will light on in 3 different colors to reflect the ambient humidity level. By this, the user can understand immediately what the ambient humidity condition is:

- Blue light – room humidity > 70%
- Green light – room humidity 50~70%
- Red light – room humidity < 50%
- Red light flash – water full alarm

Töö

1. Ühendage seade sobivasse pistikupessa. (Kontrollige seadme andmesildilt pinge/sageduse väärtus).
2. Seadme käivitamiseks vajutage ON/OFF nuppu.. Kompressor hakkab tööle.
3. Töörežiimi valimiseks vajutage õhuniiskuse seadmise nuppu: pidev, niiskuse tase 40%, 50%, 60% või 70%. Süttib antud väärtuse vastav näidik.
4. Ventilatsiooni kiiruse suureks või madalaks seadmiseks vajutage kiiruse/ventilatsiooni nuppu. Süttib antud väärtuse vastav näidik.
5. Sobiva tööaja (1~24 tundi) määramiseks vajutage nuppu KELL. Ekraani aken näitab aktuaalselt valitud aega, tunni muutmiseks vajutage nuppu KELL, selleks, et aken läheks tagasi ruumi niiskuse kuvamise režiimi juurde, vabastage nupp 8 sekundiks. Pärast näidatud tundide arvu möödumist lülitub kompressor automaatselt välja.
6. Nupp "TEMP" põhjustab aktuaalse toatemperatuuri kuvamist, selleks, et aken läheks tagasi ruumi niiskuse kuvamise režiimi juurde, vabastage nupp 8 sekundiks..
7. Funktsioon DRYER aktiveerib ventilatsioonisüsteemi turborežiimi, mis kuivatab pidevalt õhus olevat niiskust, see funktsioon võimaldab pesu kuivatada.
8. Seadme välja lülitamiseks vajutage nuppu ON/OFF.
9. Varajase käivitamise funktsioon (PRE-SET), nupule KELL vajutades, aktiveerimata seadme muid funktsioone (sh nuppu ON/OFF), saate programmeerida seadme väljalülitusaja/Näiteks kui seate kella väärtusele "2", käivitub seade automaatselt 2 tundi pärast.

## ▶▶ 6. VEE ÄRAJUHTIMINE

Kui veepaak on täis, lülitub kompressor turvalisuse huvides automaatselt välja ja veetaseme indikaator muutub punaseks.

Veepaagi eemaldamiseks libistage seda seadmega ristisuunaliselt.

Pärast veepaagi tühjendamist pange see tagasi oma kohale. Veenduge, et see oleks korralikult paigutatud, sellisel juhul kustub veetaseme märgutuli ja õhukuivati lülitub sisse. Pange tähele, et kui paak ei ole korralikult paigas, on täitumise indikaator endiselt punane.

## ▶▶ PIDEV ÄRAJUHTIMINE

Kui õhukuivatit kasutatakse kõrge õhuniiskuse tingimustes, tuleb veepaaki sagedamini tühjendada. Sellises olukorras on palju mugavam korraldada paagi pidev tühjendamine, milleks tuleks teha järgmised toimingud:

1. Eemaldage veepaak (FIG. 5).
2. Ühendage veevoolik väljalaskeavaga, mille läbimõõt on:

11 mm (kaabel ei ole seadmega kaasas) (PILT. 6).

3. Veenduge, et kaabel on korralikult kinnitatud ja vesi voolab takistusteta. TÄHELEPANU! Väga külma ilmaga tuleks kaabel täiendavalt kaitsta välja kukkumise eest.

4. Asetage veepaak oma kohale.

## ▶▶ 7. PUHASTAMINE JA HOOLDUS

AEnne hoolduse või puhastuse tegemist ühendage seade alati toiteallikast lahti.

### KORPUSE PUHASTAMINE

Seadme puhastamiseks tuleb kasutada pehmet lappi. Mitte mingil juhul ei tohi kasutada lenduvaid kemikaale, pesuvahendeid, bensiini, keemiliselt töödeldud riideid või muid puhastuslahuseid. Kõik need ained võivad seadme korpust kahjustada.

### FILTRI PUHASTAMINE

See õhukuivati mudel on varustatud 2 tüüpi filtritega (PILT 7):

#### 1. TOLMUTÖRJE FILTER

- Eemaldage filtri kinnitus, eemaldage aktiivsõefilter.
- Puhastage filtrit õrnalt tolmuimejaga või kraani all loputades. Kui filter on väga määrdunud, kasutage sooja vett ja pisut jõudu.
- Enne uuesti kasutamist veenduge, et filter oleks täielikult kuiv.

- Ärge jätke filtrit otsese päikesevalguse kätte.

#### 2. AKTIIVSÕEFILTER (seotakse õhus olevaid tolmuosakesi ja vähendada bakterite levikut).

Aktiivsõefilter asub tolmutõrje filtri taga ja erinevalt tolmufiltrist ei ole see pestav. Sõefiltri kasutusiga sõltub keskkonnaningimustest, kus seadet kasutatakse. Filtrit tuleb regulaarselt kontrollida ja vajaduse korral välja vahetada.

### LADUSTAMINE

Kui seadet ei kasutata pikka aega, lülitage see välja. Eemaldage toitejuhe ja puhastage:

- ▶ Tühjendage veepaak täielikult ja pühkige see puhtaks.
- ▶ Katke seade ja hoidke seda kohas, kus see ei ole otsese päikesevalguse käes.

## ▶▶ 8. VEA TUVASTAMINE

### SEADE EI TÖÖTA:

- ▶ Kas seade on toitevõrguga ühendatud?
- ▶ Kas majas on elekter sisse lülitatud?
- ▶ Kas toatemperatuur on 5 °C või üle 35°C? Kui jah, siis on see temperatuur väljaspool seadme tööpiirkonda.
- ▶ Veenduge, et hügrostaat (või ON/ OFF lüliti) oleks sisse lülitatud.
- ▶ Kontrollige, kas veepaak on seadmes õigesti paigutatud ja kas see ei ole täis.
- ▶ Veenduge, et õhu sisse- ja väljalaskeava ei ole blokeeritud.

### TUNDUB, ET SEADE EI TÖÖTA:

- ▶ Kas filter on tolmu, määrdunud?
- ▶ Kas õhu sisse- ja väljalaskeava on blokeeritud?
- ▶ Kas ümbritsev õhuniiskuse tase on liiga madal?

### SEADE EI TUNDUB TÖÖTAVAT EBATÕHUSALT:

- ▶ Kas liiga palju uksi ja aknaid on lahti?
- ▶ Kas ruumis on midagi, mis põhjustab palju niiskust?

### SEADE TEEB LIIGA SUURT MÜRA:

- ▶ Veenduge, et seade oleks tasasel pinnal.

### SEADE LEKIB:

► Veenduge, kas seade on tehniliselt korras.

<b>Vigade koodid ekraanil</b>		
Kood	Põhjus	Lahendus
E1	Ümbritseva temperatuuri andur (vaigumantliga) on avatud või lühise tõttu rikutud	Kontrollige, kas ümbritseva keskkonna temperatuuriandur on korralikult ühendatud trükkplaadiga.
		Vahetage ümbritseva keskkonna temperatuuriandur välja.
		Vahetage välja peamine trükkplaat.
		Õhuniiskuse tase on alla 40% suhtelise õhuniiskuse.
E2	Jahutussüsteemi andur (vaskmantliga) on avatud või lühise tõttu talitlushäirega.	Kontrollige, kas andur on õigesti ühendatud trükkplaadiga.
		Vahetage andur välja.
		Vahetage välja peamine trükkplaat.
E3	Temperatuurianduri TC-kaabel on lõdvenenud või kahjustatud. Seade edastab helisignaali 3 sekundi jooksul ja iga sekundi tagant kuvatakse teadet E3. Kompressor ja ventilaatori mootor lakkavad töötamast.	Andurit tuleb kontrollida ja asendada.
E5	Kui TC-anduri loetud temperatuur on kauem kui 5 sekundit vähemalt 130°C, edastab seade helisignaali 3 sekundi jooksul ja iga sekundi tagant kuvatakse teadet E5. Kompressor ja ventilaatori mootor lakkavad töötamast.	Sellises olukorras lülitage seade välja ja uuesti sisse. ON/OFF nuppu, et kontrollida, kas teade E5 kuvatakse jätkuvalt. Kui viga ei kao, tähendab see, et kompressorsüsteem töötab valesti. Kompressorisüsteemi tuleks kontrollida ja viga kõrvaldada.

## CUPRINS

1...	<b>FUNȚIONAREA</b>
2...	<b>AMPLASAREA</b>
3...	<b>RECOMANDARI ÎNAINTE DE UTILIZARE</b>
4...	<b>PIESE</b>
5...	<b>DESERVIREA</b>
6...	<b>EVACUAREA APEI</b>
7...	<b>CURATARE SI PASTRARE</b>
8...	

**ÎNAINTE DE A SE UTILIZA ACEST APARAT, VA RUGAM SA CITITI CU ATENTIE ACEASTA INSTRUCȚIUNE SI SA O PASTRATI PENTRU O VIITOARE UTILIZARE.**

### ▶▶ 1. FUNȚIONAREA

Acest produs este folosit pentru uscarea aerului. Acesta controlează umiditatea relativă prin trecerea aerului prin aparat, care conduce la condensarea excesivă a umidității pe elementele de racire. Contactul cu suprafața rece cauzează condensarea umezelii din aer. Apa condensată este în siguranță colectată în rezervorul de apă. Aerul uscat trece prin condensator, în care este ușor încălzit și apoi reîntră în camera, dar atunci temperatura lui este puțin mai ridicată.

#### ▶ FIG. 1

1. orificiul de evacuare a aerului uscat
2. condensator 3-vaporizator
4. orificiul de admisie a aerului umed
5. rezervor pentru apă
6. compresor
7. motor
8. rotorul ventilatorului

### ▶▶ 2. AMPLASAREA

Excesul de umiditate se va răspândi în întreaga casă în același fel ca mirosul care se răspândește în jurul camerei în timpul gătitului. Din acest motiv, aparatul ar trebui să fie plasat astfel încât să poată atrage aerul umed din toată casa. Opțional, în cazul în care într-un singur loc va apărea o problemă gravă, este posibil ca dezumidificatorul să fie amplasat lângă acest loc, și apoi să fie amplasat într-un punct mai central.

În timpul amplasării dezumidificatorului, asigurați-vă că acesta este amplasat pe o suprafață plană și că pe fiecare parte a aparatului există un spațiu de 10 cm (4"), pentru a permite fluxul eficient de aer. Acest dezumidificator este dotat cu roți, pentru a asigura o mai mare mobilitate. Atunci când dezumidificatorul este deplasat, acesta trebuie înaintea oprit, iar rezervorul de apă trebuie golit.

Nu se recomandă folosirea prelungitorului, prin urmare, trebuie să vă asigurați că dezumidificatorul este suficient de aproape de priză. Dacă este nevoie de folosirea prelungitorului, trebuie să vă asigurați că diametrul firelor cablului este de cel puțin 1 mm<sup>2</sup>. În timpul funcționării dezumidificatorului, dacă este necesar, usa de la intrare și ferestrele trebuie să fie închise pentru a asigura o eficacitate mai mare a aparatului.

### ▶▶ 3. RECOMANDARI ÎNAINTE DE UTILIZARE ATENTIE!



Simbolurile de pe dispozitiv au următoarele semnificații:

- ▶ Dispozitivul este umplut cu propan R290. Instrucțiunile producătorului pentru operarea și repararea dispozitivului trebuie respectate cu strictețe!
- ▶ Înainte de a porni dispozitivul citiți cu atenție instrucțiunile de utilizare.
- ▶ Nu instalați, nu utilizați și nu depozitați dispozitivul într-o încăpere mai mică de 4m<sup>2</sup>.

### PRINCIPII GENERALE DE SIGURANȚĂ

- ▶ DOAR PENTRU UTILIZARE ÎN ÎNCĂPERI.
- ▶ Nu folosiți dispozitivul în mobilier de bucătărie, dulap, bărci, rulote sau alte spații similare închise.
- ▶ Nu folosiți dispozitivul lângă piscine, în spălătorii sau în alte încăperi umede.
- ▶ Așteptați 12 ore înainte de a conecta dispozitivul la sursa de alimentare după transport sau după ce a fost înclinat (de ex. în timpul curățării).
- ▶ Dispozitivul trebuie să fie amplasat în poziția verticală pe o suprafață plană (chiar și în timpul transportului!) la o distanță de cel puțin 50 cm de la alte obiecte.
- ▶ Nu folosiți dispozitivul în atmosfere potențial explozive care conțin lichide, gaze sau prafuri inflamabile.
- ▶ Nu folosiți dispozitivul lângă substanțe sau combustibile inflamabile sau explozive. Nu pulverizați în apropiere de vopsele, agenți de curățare, insecticide sau substanțe similare, deoarece acestea pot deforma părțile din plastic sau deteriora instalația electrică.
- ▶ Lăsați cel puțin 50 cm de spațiu liber între laturile dispozitivului și materiale inflamabile care se încălzesc.
- ▶ Nu așezați pe dispozitiv obiecte și nu acoperiți intrarea și ieșirea aerului.
- ▶ Protejați dispozitivul împotriva stropirii.
- ▶ Supravegheați copiii și animalele de casă aflate în vecinătatea dispozitivului în funcționare.
- ▶ NU LĂSAȚI CA COPIII SĂ JOACE CU DISPOZITIVUL.
- ▶ Copiii nu pot să curețe sau să întrețină dispozitivul fără supravegherea adulților.



- ▶ Opriți dispozitivul și deconectați-l de la sursa de alimentare, când nu este folosit.
- ▶ Nu lăsați fără supraveghere dispozitivul în stare de funcționare.
- ▶ Nu trageți dispozitivul de cablul de alimentare.
- ▶ Evitați răscucirea, înfășurarea sau tragerea cablului de alimentare și nici nu-l legați cu sârmă de nailon sau oțel.
- ▶ Aveți grijă că fișa și priza sunt într-un loc vizibil și ușor accesibil.
- ▶ Nu folosiți prelungitoare.
- ▶ Nu atingeți dispozitivul, dacă a căzut în apă. În acest caz, deconectați imediat cablul de alimentare. Verificați starea dispozitivului înainte de a-l folosi din nou.
- ▶ Dispozitivul trebuie cuplat în conformitate cu toate reglementările și standardele electrice naționale.
- ▶ Nu depășiți dimensiunea recomandată încăperii pentru performanța maximă a dispozitivului.
- ▶ Închideți ușile și ferestrele.
- ▶ În cazul unei expunerii semnificative la soare, trageți perdelele sau coborâți jaluzelele.
- ▶ Aveți grijă de curățenia filtrelor.
- ▶ Când condițiile din încăpere vor ajunge la valoarea dorită, trebuie să micșorați setările temperaturii și suflare cu aer.
- ▶ Nu puneți în funcțiune dispozitivul, în cazul în care dispozitivul, cablul de alimentare sau fișa prezintă defecte, dispozitivul funcționează incorect sau apar semnele unui defect. Predați dispozitivul complet vânzătorului sau unui electrician cu calificare și autorizații corespunzătoare pentru inspecție și / sau reparație. Folosiți numai piesele de schimb originale. Dispozitivul (inclusiv cu cablul de alimentare și fișa) poate fi dezasamblat și / sau reparat numai de persoane calificate și autorizate corespunzător.
- ▶ Se recomandă întreținerea periodică a dispozitivului.
- ▶ **DISPOZITIVUL POATE FI DEMONTAT SAU MODIFICAT NUMAI DE UN LUCRĂTOR AL SERVICE-ULUI CERTIFICAT.**
- ▶ **DISPOZITIVUL POATE FI UTILIZAT NUMAI CONFORM CU DESTINAȚIA SA. FOLOSIREA ÎN ALT SCOP ESTE CONSIDERATĂ CA UTILIZARE NECORESPUNZĂTOARE. PENTRU TOATE DETERIORĂRILE SAU LEZIUNILE CARE SUNT CA URMARE UNUI ASTFEL DE COMPORTAMENT ESTE RESPONSABIL UTILIZATORUL, NU PRODUCĂTORUL DISPOZITIVULUI.**

### ▶▶ **REGULI DE SIGURANȚĂ REFERITOR LA AGENTUL FRIGORIFIC R290:**

- ▶ Citiți cu atenție următoarele avertismente.
- ▶ Dispozitivul conține un agent frigorific R290. Agentul frigorific R290 este în conformitate cu directivele UE aplicabile în acest domeniu. Nu perforați sistemul de răcire. Agentul frigorific R290 este o substanță inflamabilă (GWP3)!
- ▶ Nu folosiți echipamente sau agenți pentru a accelera decongelarea sau curățarea dispozitivului, altele decât cele recomandate de producător.
- ▶ Dispozitivul păstrați într-o încăpere departe de surse permanente de aprindere (de ex. flacăra deschisă, aparat cu gaz sau încălzitor electric în funcțiune).
- ▶ Nu străpungeți și nu încălziți componentele sistemului frigorific ale dispozitivului. Nu îndreptați lumina direct spre dispozitiv.
- ▶ Dispozitivul păstrați-l, astfel încât să nu fie deteriorat mecanic.

- ▶ Dispozitivul trebuie să fie instalat, utilizat și depozitat într-o cameră cu o suprafață mai mare de 4 m<sup>2</sup>.
- ▶ Agentul frigorific poate fi inodor, ceea ce face dificilă detectarea neatenșității.
- ▶ Respectă standardele și reglementările naționale pentru combustibili gazoși.
- ▶ Nu blocați orificiile de ventilație.
- ▶ Depozitați-l păstrați-l într-o încăpere bine ventilată, cu o dimensiune corespunzătoare specificației tehnice a dispozitivului.
- ▶ Fiecare persoană implicată în exploatarea sau repararea sistemului frigorific trebuie să aibă un certificat valabil emis de instituția tehnică relevantă care atestă competența persoanei pentru manipularea în condiții de siguranță a agenților frigorifici, în conformitate cu standardele și reglementările adoptate.
- ▶ Activitățile de service trebuie efectuate numai în conformitate cu instrucțiunile producătorului dispozitivului. Lucrările de întreținere și reparații care necesită prezența personalului de service calificat trebuie efectuate sub supravegherea unei persoane care are competențe necesare în domeniul folosirii agenților frigorifici inflamabili.
- ▶ aparatul trebuie să fie întodeauna în poziție verticală;
- ▶ orice corp străin ar trebui să fie ținut departe de orificiile de intrare și ieșire a aerului;
- ▶ tensiunea de alimentare trebuie să respecte specificațiile indicate pe plăcuța de fabricație din spatele aparatului;
- ▶ în cazul în care cablul de alimentare este deteriorat, acesta trebuie înlocuit de către reprezentantul autorizat al service-ului (o persoană cu calificare corespunzătoare) pentru a evita pericolele.
- ▶ pentru a porni și opri aparatul, în nici un caz nu folosiți fișa. Utilizați întotdeauna întrerupătorul de pe panoul de control;
- ▶ înainte ca aparatul să fie deplasat, trebuie mai întâi să fie oprit, iar apoi golit rezervorul de apă;
- ▶ nu trebuie să folosiți aerosoli împotriva viermilor sau alte produse de curățare care sunt inflamabile;
- ▶ în nici un caz aparatul nu trebuie udat sau stropit cu apă.
- ▶ **ACEST APARAT NU ESTE DESTINAT PENTRU A FI UTILIZAT DE CĂTRE PERSOANELE (INCLUSIV CU COPILII) CUCAPACITĂȚII FIZICE, SENZORIALE ȘI MENTALE REDUSE, SAU DE PERSOANE FĂRĂ EXPERIENȚĂ, CARE NUAU FOST ȘCOLARIZATE DE CĂTRE PERSOANA RESPONSABILĂ DE SIGURANȚA LOR. TREBUIE SĂ FIȚI ATENȚI CA, COPIII SĂ NU SE JOACE CU APARATUL.**

### **IMPORTANT!**

Nu trebuie folosit la o temperatură a camerei sub 5°C pentru a preveni înghețarea evaporatorului.

### ▶▶ **4. PIESE**

- ▶ Fata FIG. 2
- 1. Panou comandă
- 2. Iluminare
- 3. Placa frontală
- 4. Placa din spate
- ▶ Spate FIG. 3
- 5. Clapă de ventilație
- 6. Mâner
- 7. Orificiul de admisie a aerului / Filtrele

8. Fereastra pentru observarea nivelului de apa
9. Rezervor de apa

## ►► 5. DESERVIREA

### ► FIG. 4

1. Buton de selectare a umidității
2. Indicator de mod de funcționare (continuă, umiditate 40%, 50%, 60%, 70%)
3. Indicator temperatură/umiditate
4. Indicator de funcționare a ceasului
5. Buton pentru afișarea temperaturii
7. Indicator DEZUMIDIFICATOR
8. Buton DEZUMIDIFICATOR
9. Indicator viteză mare de ventilare
10. Buton de viteză/ventilare
11. Indicator viteză mică de ventilare
12. Indicator alimentare
13. Buton ON/OFF (alimentare)
14. Indicator „Umplere Apă”
15. Buton CEAS

Indicatorul de control de pe panoul din față al dispozitivului se aprinde în 3 culori diferite, în funcție de nivelul de umiditate. Acest lucru permite utilizatorului să determine rapid umiditatea aerului din încăpere:

Lumină albastră – umiditatea din încăpere > 70%

Lumină verde – umiditatea din încăpere 50~70%

Lumină roșie – umiditatea din încăpere < 50%

Lumină roșie intermitentă – alarma de umplere cu apă

### ► Deservirea

1. Conectați aparatul la rețeaua de alimentare corespunzătoare. (Vă rog să verificați valoarea tensiunii/frecvenței pe plăcuța de fabricație a dispozitivului).
2. Apăsăți butonul de ON/OFF, pentru pornirea dispozitivului. Compresorul începe să funcționeze.
3. Apăsăți butonul de setare a umidității ca să alegeți modul de lucru: continuu, nivel de umiditate 40%, 50%, 60% sau 70%. Se va aprinde indicatorul corespunzător pentru valoarea aleasă.
4. Apăsăți butonul viteză/ventilare pentru a seta viteza de ventilare mai mare sau mică. Se va aprinde indicatorul corespunzător pentru valoarea aleasă.
5. Apăsăți butonul CEAS, pentru a seta timpul de lucru așteptat (1~24 ore) După apăsarea butonului CEAS ecranul va indica ora aleasă, micșorați timp de 8 secunde pentru ca ecranul să revină la modul de indicare a umidității din încăpere. După expirarea orelor indicate, compresorul de va opri automat.
6. Butonul „TEMP” afișează temperatura actuală din încăpere, micșorați timp de 8 secunde pentru ca ecranul să revină la modul de indicare a umidității din încăpere.
7. Funcția DEZUMIDIFICATOR pornește modul turbo a sistemului de ventilație, ceea ce duce la o continuă eliminare a condensului din aer, această funcție permite uscare rufelor.
8. Ca să opriți aparatul, apăsați butonul ON/OFF.
9. Funcția PRE-SET, cu ajutorul butonului CEAS fără pornirea altor funcții ale dispozitivului (de asemenea butonul ON/OFF), se poate programa ora de pornire a mașinii/ De exemplu, dacă se va seta ceasul la '2', dispozitivul va porni automat după 2 ore.

## ►► 6. EVACUAREA APEI

Când rezervorul de apă este plin, compresorul se va opri automat pentru siguranță, iar indicatorul de plin cu apă se va aprinde roșu.

Pentru a îndepărta rezervorul de apă, scoateți perpendicular din dispozitiv.

După golirea rezervorului de apă, puneți-l la loc. Asigurați-vă că este amplasat corect, atunci indicatorul se va stinge iar dezumidificatorul va porni din nou.

Rețineți că, în cazul în care rezervorul nu este introdus corect, indicatorul de prea plin va lumina în continuare roșu.

## DEZUMIDIFICAREA CONTINUA A APEI

Când dezumidificatorul funcționează în condiții de umiditate foarte mare, rezervorul de apă va necesita golirii frecvente. În această situație este bine setarea golirii continue a rezervorului, în acest scop trebuie efectuate următoarele activități:

1. Scoateți rezervorul de apă (FIG. 5).
2. Cuplați furtunul de evacuare a apei la orificiul cu diametrul de: 11 mm (furtunul nu este furnizat împreună cu setul dispozitivului) (FIG. 6).
3. Asigurați-vă, că dispozitivul este montat corect și apa se scurge fără probleme. Atenție! La temperaturi foarte scăzute trebuie, în plus să protejați furtunul împotriva înghețului.
4. Amplasați rezervorul de apă la locul lui.

## ►► 7. CURATARE SI PASTRARE

Înainte de conservare sau curățare, aparatul trebuie întodeauna oprit de la rețeaua de alimentare.

### CURATAREA CARCASEI

Pentru a curăța carcasa folosiți o cârpă moale.

În orice caz, nu folosiți produse chimice volatile, detergenți, benzina, haine tratate chimic, sau alte soluții de curățare. Fiecare din aceste substanțe poate deteriora carcasa aparatului.

### CURATAREA FILTRULUI

Acest tip de dezumidificator este echipat cu două filtre (FIG. 7):

#### 1. FILTRU ANTI-PRAF

- Scoateți fixarea rezervorului, scoateți filtru cărbune activ.
- Curățați filtru delicat cu ajutorul aspiratorului sau clătit sub jet de apă. Dacă filtrul este foarte murdar, folosiți apă caldă cu soluții cu putere medie de curățare.
- Trebuie să vă asigurați că filtrul este uscat înainte de al folosi din nou.
- Filtrul nu trebuie expus la acțiunea directă a razelor solare.

#### 2. FILTRU CĂRBUNE ACTIV (leagă particulele de praf din aer și reduce înmulțirea bacteriilor).

Filtrul de cărbune activ este amplasat în spatele filtrului anti-praf spre deosebire de el nu se poate spăla. Durabilitatea filtrului cărbune activ depinde de condițiile de mediu unde este utilizat dispozitivul. Filtrul trebuie verificat periodic și schimbat în caz de necesitate.

### PASTRAREA

Dacă aparatul nu este folosit un timp îndelungat trebuie oprit. Cablul de alimentare trebuie decuplat și curățat:

- Rezervorul de apă trebuie golit de tot și apoi sters până va fi complet uscat.
- Aparatul trebuie acoperit și păstrat într-un loc unde nu

este supus la actiunea razelor solare.

## ▶▶ 8. DETECTAREA DEFECTELOR

### APARATUL NU FUNCȚIONEAZĂ:

- ▶ Aparatul este cuplat la rețea?
- ▶ Energia electrică în casă este oprită?
- ▶ Temperatura în cameră este mai mare decât 35°C? Dacă da, aceasta este temperatura în afară intervalului de funcționare a aparatului .
- ▶ Trebuie să vă asigurați dacă umidostatul (sau butonul ON/OFF) este pornit.
- ▶ Trebuie să verificați dacă rezervorul de apă este amplasat corect în aparat și dacă nu este plin.
- ▶ Trebuie să vă asigurați că admiterea și evacuarea aerului nu sunt blocate.

### DEZUMIDIFICATORUL NU FUNCȚIONEAZĂ:

- ▶ Filtrul este înfundat, murdar?
- ▶ Orificiul de admitere și evacuare a aerului este înfundat?
- ▶ Umiditatea ambiantă nu este prea scăzută?

### SE PARE CĂ DEZUMIDIFICATORUL FUNCȚIONEAZĂ INEFICIENT:

- ▶ Sunt deschise prea multe uși și ferestre
- ▶ În încăperea există ceva ce provoacă o umiditate prea mare?

### DEZUMIDIFICATORUL FACE ZGOMOT PEA MARE:

- ▶ Trebuie să verificați dacă aparatul stă pe o suprafață plană.

### DEZUMIDIFICATORUL de AER are SCURGERI:

- ▶ Trebuie să vă asigurați că aparatul este într-o stare tehnică acceptabilă.
- ▶ Dacă opțiunea de drenare continuă a apei nu este folosită, trebuie să vă asigurați, că dopul din cauciuc (aflat în partea de jos a aparatului) este la locul lui.

### Coduri de erori pe afișaj

Cod	Cauza	Rezolvare
E1	Senzorul temperaturii ambiante (cu protecția din rășină) este deschis sau funcționează incorect din cauza a unui scurt circuit.	Verificați dacă senzorul de temperatură este cuplat corect la placa de circuit imprimat.
		Înlocuiți senzorul temperaturii ambiante.
		Înlocuiți placa principală cu circuit imprimat .
E2	Senzorul sistemului de răcire (cu protecție de cupru) este deschis sau funcționează incorect din cauza a unui scurt circuit.	Nivelul de umiditate a aerului este sub 40% de umiditate relativă.
		Verificați dacă senzorul este cuplat corect la placa cu circuit imprimat.
		Înlocuiți senzorul.
E3	Cablul senzorului de control al temperaturii (TC) este slăbit sau deteriorat. Dispozitivul va emite un semnal sonor timp de 3 secunde, iar comunicatul E3 va clipi în fiecare secundă. Compresorul și motorul ventilatorului se opresc.	Înlocuiți placa principală cu circuit imprimat.
		Senzorul trebuie verificat și înlocuit.
E5	În cazul în care temperatura citită de senzorul TC este de cel puțin de 130°C pentru mai mult de 5 secunde, dispozitivul va emite un semnal sonor timp de 3 secunde iar comunicatul E5 va clipi în fiecare secundă. Compresorul și motorul ventilatorului se opresc.	Senzorul trebuie verificat și înlocuit.
		În această situație, opriți și porniți din nou dispozitivul cu butonul ON/OFF pentru a verifica dacă comunicatul E5 va fi afișat în continuare. Dacă eroarea nu va dispărea, înseamnă că sistemul compresorului funcționează defectuos. Sistemul compresorului trebuie verificat și îndepărtat defectul.

## ЗМІСТ

1...	<b>ПРИНЦИП ДІЇ</b>
2...	<b>РОЗМІЩЕННЯ</b>
3...	<b>ВАЖЛИВІ ВКАЗІВКИ ПЕРЕД ПОЧАТКОМ ВИКОРИСТАННЯ</b>
4...	<b>ЕЛЕМЕНТИ ПРИСТРОЮ</b>
5...	<b>ФУНКЦІОНАЛЬНА ПАНЕЛЬ УПРАВЛІННЯ</b>
6...	<b>СИСТЕМА ВИДАЛЕННЯ ВОДИ</b>
7...	<b>ОЧИЩЕННЯ І ТЕХНІЧНЕ ОБСЛУГОВУВАННЯ</b>
8...	<b>ВИЯВЛЕННЯ НЕСПРАВНОСТЕЙ</b>

**ПЕРШ НІЖ РОЗПОЧАТИ ЕКСПЛУАТАЦІЮ ПРИСТРОЮ, БУДЬ ЛАСКА, УВАЖНО ПРОЧИТАЙТЕ ЦЮ ІНСТРУКЦІЮ ТА ЗБЕРЕЖІТЬ ЇЇ ДЛЯ ПОДАЛЬШОГО ВИКОРИСТАННЯ.**

### ►► 1. ПРИНЦИП ДІЇ

Виріб, описаний у цій інструкції, служить для осушування повітря. З його допомогою здійснюється контроль відносної вологості шляхом пропускання повітря через пристрій, що призводить до конденсації надлишкової вологи на охолоджувальних елементах. Контакт із холодною поверхнею сприяє конденсації вологи у повітрі. Далі конденсована вода безпечно відводиться у резервуар для води. Висушене повітря проходить через конденсатор, у якому воно трохи нагрівається, після чого знову виводиться у приміщення, при цьому його температура дещо підвищена.

#### ► FIG. 1

1. вихід сухого повітря
2. конденсатор 3- випарник
4. вхід вологого повітря
5. резервуар для води
6. компресор
7. двигун
8. ротор вентилятора

### ►► 2. РОЗМІЩЕННЯ

Надлишкова волога поширюватиметься по всьому приміщенні, так само як під час готування розноситься по приміщенню запах страв. У зв'язку із цим осушувач необхідно розміщувати таким чином, щоб він всмоктував вологе повітря з усього приміщення. Якщо в одному місці виникне серйозна проблема, осушувач можна розмістити поблизу цього місця, а пізніше розташувати його в центрі приміщення.

Під час встановлення осушувача слід переконатися, що він розміщений на рівній поверхні, а також що з усіх сторін пристрою є по 10 см (4") вільного простору, що забезпечує ефективний потік повітря. Осушувач оснащено поворотними коліщатами, що сприяє його високій мобільності. Перш ніж переміщувати пристрій, його необхідно вимкнути та вилити воду із резервуара. Використовувати подовжувач не рекомендовано, у зв'язку із цим слід перевірити, чи пристрій знаходиться достатньо близько від розетки. У разі необхідності застосування подовжувача, слід переконатися, що діаметр проводів кабелю складає щонайменше 1 мм<sup>2</sup>.

У разі необхідності, під час роботи осушувача зовнішні двері і вікна повинні бути зачинені, щоб забезпечити максимальну ефективність роботи пристрою.

**►► 3. ВАЖЛИВІ ВКАЗІВКИ ПЕРЕД ПОЧАТКОМ ВИКОРИСТАННЯ  
УВАГА!**



Символи, розміщені на пристрої, мають таке значення:

- Пристрій наповнено пропаном R290. Неухильно виконувати вказівки виробника щодо експлуатації та ремонту пристрою!
- Перш ніж включити пристрій, слід детально ознайомитися із інструкцією з експлуатації.
- Не встановлювати, не використовувати і не зберігати пристрій у приміщенні з меншою площею, ніж 4м<sup>2</sup>.

### ЗАГАЛЬНІ ПРАВИЛА 3 ТЕХНІКИ БЕЗПЕКИ

- ТІЛЬКИ ДЛЯ ВИКОРИСТАННЯ У ПРИМІЩЕННЯХ.
- Не використовувати пристрій у кухонній забудові, у шафах, на яхтах, у кемпінгових причепах або у подібних місцях та приміщеннях.
- Не застосовувати пристрій поблизу басейнів, у ванних кімнатах та у інших вологих приміщеннях.
- Після транспортування пристрою або якщо він знаходився у нахиленому положенні (під час чищення) - перед підключенням його до електромережі слід почекати 12 годин.
- Пристрій встановлювати у вертикальному положенні на рівній основі (також під час транспортування) та на відстані не менше 50 см від інших предметів.
- Не використовувати пристрій у потенційно вибухонебезпечній атмосфері, що містить горючі рідини, газ або пил.
- Не застосовувати пристрій поблизу легкозаймистих, вибухонебезпечних речовин або ємностей із паливом. Не розпиляти поблизу пристрою: фарб, засобів для чищення, інсектицидні і тому подібні засоби, тому що це може призвести до деформації пластикових елементів або до пошкодження електричної інсталяції.
- При установці пристрою залишити не менше 50 см між його боками і сусідніми легкозаймистими матеріалами.



- ▶ Не розміщати на пристрої жодних предметів і не закривати входу і виходу повітря.
- ▶ Захищати пристрій від бризок.
- ▶ Стежити за дітьми і домашніми тваринами, що перебувають поблизу пристрою під час роботи.
- ▶ НЕ ДОЗВОЛЯТИ ДІТЯМ ГРАТИ З ПРИСТРОЄМ.
- ▶ Діти не можуть займатися чищенням і консервацією пристрою без нагляду дорослих осіб.
- ▶ Вимкнути пристрій і відключити його від електромережі, якщо він не використовується.
- ▶ Не залишати працюючий пристрій без нагляду.
- ▶ Заборонено переміщати пристрій, тримаючи його за кабель живлення.
- ▶ Слід уникати надмірного скручування, згортання і розтягування мережевого кабелю і не зв'язувати його нейлоновим або сталевим дротом.
- ▶ Слід простежити за тим, щоб штепсельна вилка і електрична розетка перебували на видному і добре доступному місці.
- ▶ Не застосовувати подовжувачі.
- ▶ Не лізти за працюючим пристроєм, що впав у воду. У такому випадку слід невідкладно відключити мережевий кабель від електромережі. Перед подальшим використанням перевірити робочий стан пристрою.
- ▶ Пристрій слід підключати відповідно до національних правил та електричних норм.
- ▶ Не перевищувати розмір площі приміщення, рекомендованої для максимальної продуктивності пристрою.
- ▶ Закрити двері і вікна.
- ▶ У разі занадто яскравого сонячного світла слід закрити штори або опустити жалюзі.
- ▶ Слід підтримувати чистоту фільтрів.
- ▶ Коли умови у приміщенні досягнуть цільових параметрів, слід знизити настройки температури і силу подачі повітря.
- ▶ Не вмикати пристрій, якщо він, мережевий кабель або штепсельна вилка пошкоджені, якщо пристрій працює ненормально або явно видно прикмети інших неполадок. Передати комплектний пристрій продавцеві або електрику, котрий володіє відповідною кваліфікацією з метою його перевірки або ремонту. Застосовувати тільки оригінальні запчастини. Розбирати і/або ремонтувати пристрій (разом з мережевим кабелем і вилкою) може виключно уповноважена і відповідно кваліфікована особа.
- ▶ Рекомендується періодично виконувати сервісне обслуговування і техогляд пристрою.
- ▶ РОЗБИРАТИ АБО МОДИФІКУВАТИ ПРИСТРІЙ МОЖЕ ВИКЛЮЧНО АТЕСТОВАНИЙ ПРАЦІВНИК ТЕХНІЧНОГО ОБСЛУГОВУВАННЯ.
- ▶ ПРИСТРІЙ МОЖНА ВИКОРИСТОВУВАТИ ТІЛЬКИ ЗА ПРИЗНАЧЕННЯМ. ВИКОРИСТАННЯ ПРИСТРОЮ З ІНШОЮ МЕТОЮ ВВАЖАЄТЬСЯ НЕПРАВИЛЬНИМ ВИКОРИСТАННЯМ. ЗА УСІ ПОШКОДЖЕННЯ АБО ТРАВМИ, ОТРИМАНІ ВНАСЛІДОК ТАКИХ ДІЙ ВІДПОВІДАЛЬНІСТЬ НЕСЕ КОРИСТУВАЧ, А НЕ ВИРОБНИК ПРИСТРОЮ.
- ▶ пристрій завжди повинен знаходитися у вертикальному положенні;
- ▶ будь-які сторонні предмети слід тримати на відстані від вхідних і вихідних отворів повітря;
- ▶ характеристики джерела живлення повинні

- відповідати даним специфікації, наведеним у заводській табличці, розташованій на задній стінці пристрою;
- ▶ щоб уникнути небезпеки в разі пошкодження кабелю живлення, його заміна повинна виконуватися представником авторизованого сервісного центру (фахівцем з відповідними кваліфікаціями);
- ▶ ввімкнення і вимкнення пристрою в жодному разі не можна здійснювати шляхом підключення або відключення штепселя із розетки. Завжди використовуйте вмикач на панелі управління;
- ▶ перш ніж переміщувати пристрій, його слід вимкнути, після чого вилити воду із резервуара;
- ▶ не можна застосовувати аерозолі, призначені для боротьби з комахами, або інші легкозаймисті засоби для очищення;
- ▶ в жодному разі пристрій не можна обливати або обприскувати водою.
- ▶ ЦЕ УСТАТКУВАННЯ НЕ МОЖЕ ОБСЛУГОВУВАТИСЯ ОСОБАМИ (ТАКОЖ ДІТЬМИ) З ОБМЕЖЕНИМИ ФІЗИЧНИМИ, РЕЦЕПТОРНИМИ АБО РОЗУМОВИМИ ЗДІБНОСТЯМИ, АБО ОСОБАМИ, ЩО НЕ МАЮТЬ НЕОБХІДНОГО ДОСВІДУ ТА НЕ ПРОЙШЛИ СПЕЦІАЛЬНОГО НАВЧАННЯ У ОСІБ, КОТРІ НЕСУТЬ ВІДПОВІДАЛЬНІСТЬ ЗА ЇХ БЕЗПЕКУ. СЛІД СТЕЖИТИ ЗА ТИМ, ЩОБ ДІТИ НЕ ГРАЛИСЯ З УСТАТКУВАННЯМ.

#### ▶▶ ПРАВИЛА ТЕХНІКИ БЕЗПЕКИ ПО ВІДНОШЕННЮ ДО ХОЛОДОАГЕНТУ R290:

- ▶ Слід ретельно ознайомитися із нижчезазначеними застереженнями.
- ▶ Пристрій містить холодоагент R290. Холодоагент R290 відповідає встановленим Директивам Європейського Союзу. Не можна дірявити охолоджувальну систему. Холодоагент R290 є легкозаймистою речовиною (GWP3)!
- ▶ Не використовувати засоби для прискорення розморожування або чищення пристрою, які не рекомендовані виробником.
- ▶ Пристрій зберігати у приміщенні, де відсутні постійні джерела загоряння (наприклад відкритий вогонь, працюючі газові пристрої або електричні нагрівачі).
- ▶ Не пробивати і не обігрівати елементи системи охолодження пристрою. Не направляти світло безпосередньо на пристрій.
- ▶ Пристрій складувати таким чином, щоб він не був механічно пошкоджений.
- ▶ Обладнання належить встановлювати, використовувати і зберігати у приміщенні площею понад 4м<sup>2</sup>.
- ▶ Холодоагент може не мати запаху, що ускладнює виявлення його витoku.
- ▶ Слід дотримуватися національні норми і правил використання газового палива.
- ▶ Не слід затуляти вентиляційні отвори.
- ▶ Пристрій зберігати у добре вентильованому приміщенні з розмірами відповідно до технічної специфікації пристрою.
- ▶ Кожна особа, що експлуатує або ремонтує систему охолодження, має мати дійсний сертифікат, виданий відповідною технічною інституцією, що засвідчує компетенцію цієї особи у питаннях безпечної експлуатації хладагентів згідно з прийнятими нормами і правилами.
- ▶ Сервісне обслуговування слід виконувати



виключно відповідно до вказівок виробника пристрою. Сервісні і ремонтні роботи, що вимагають присутності кваліфікованого сервісного персоналу, слід виконувати під наглядом особи, яка має відповідну компетентність у питаннях використання легкозаймистих хладагентів.

### **ВАЖЛИВО!**

З метою уникнення обледеніння випарника, пристрій заборонено експлуатувати, якщо температура у приміщенні нижче 5°C.

### **►► 4. ЕЛЕМЕНТИ ПРИСТРОЮ**

► Передня частина FIG. 2

1. Панель управління
  2. Підсвічування
  3. Передня панель
  4. Задня панель
- Задня частина FIG. 3
5. Вентиляційний клапан
  6. Ручка
  7. Вхідний отвір повітря /Фільтри
  8. Віконце рівня води
  9. Резервуар для води

### **►► 5. ФУНКЦІОНАЛЬНА ПАНЕЛЬ УПРАВЛІННЯ**

► Дисплей FIG. 4

1. Кнопка налаштування рівня вологості
2. Індикатор режиму роботи (постійний, вологість 40%, 50%, 60%, 70%)
3. Дисплей температури/вологості
4. Індикатор роботи таймера
5. Кнопка індикації температури
7. Індикатор ОСУШУВАЧ ПОВІТРЯ
8. Кнопка ОСУШУВАЧ ПОВІТРЯ
9. Індикатор високої швидкості роботи вентилятора
10. Кнопка швидкість/вентиляція
11. Індикатор низьких обертів вентилятора
12. Індикатор живлення
13. Кнопка ON/OFF (живлення)
14. Індикатор «Рівень заповнення водою»
15. кнопка ТАЙМЕР

Контрольна лампочка на передній панелі пристрою світиться 3 різними кольорами, залежно від рівня вологості повітря. Це дозволяє користувачеві швидко визначити рівень вологості повітря у приміщенні:  
Синє світло – вологість приміщення > 70%  
Зелене світло – вологість у приміщенні 50~70%  
Червоне світло – вологість у приміщенні < 50%  
Блимання червоного світла – сигнал, що інформує про заповнений водою резервуар.

► Спосіб використання:

1. Підключіть пристрій до відповідної мережі живлення. (Слід перевірити напругу/частоту на заводській таблиці приладу).
2. Натисніть кнопку ON/OFF, щоб ввімкнути пристрій. Компресор почне працювати.
3. Натисніть кнопку налаштування рівня вологості, щоб вибрати режим роботи: постійний, рівень вологості 40%, 50%, 60% або 70%. Засвітиться відповідний індикатор для даного значення.
4. Натисніть кнопку швидкість/вентиляція, щоб вибрати

високу або низьку швидкість обертів вентилятора. Засвітиться відповідний індикатор для даного значення.

5. Натисніть кнопку ТАЙМЕР, щоб налаштувати потрібний час роботи (1~24 години). Після натиснення кнопки ТАЙМЕР на дисплеї висвітиться актуально вибраний час, після відпускання кнопки на 8 секунд вікно повернеться до режиму індикації вологості приміщення. Після закінчення вказаного часу компресор автоматично вимкнеться.

6. Після натиснення кнопки „TEMP” на екрані висвітиться поточна температура у приміщенні, після відпускання на 8 секунд вікно повернеться у режим індикації вологості повітря у приміщенні.

7. Функція ОСУШУВАЧ ПОВІТРЯ вмикає режим турбо системи вентиляції, після чого вмикається неперервне осушування повітря, ця функція дозволяє сушити випрані речі.

8. Щоб вимкнути пристрій, натисніть кнопку ON/OFF.
9. Функція попереднього ввімкнення (PRE-SET), за допомогою кнопки ТАЙМЕР без ввімкнення інших функцій приладу (також кнопки ON/OFF), можна запрограмувати годину ввімкнення машини / Наприклад, якщо налаштувати таймер на '2', пристрій автоматично ввімкнеться через 2 години.

### **►► 6. СИСТЕМА ВИДАЛЕННЯ ВОДИ**

Якщо резервуар з водою буде заповнений, компресор автоматично вимкнеться в цілях безпеки, а індикатор рівня заповнення водою загориться червоним світлом. Щоб вийняти резервуар з водою, його слід потягнути перпендикулярно із пристрою.

Після видалення із резервуару води, його слід вставити назад на місце. Перевірте, що його правильно встановлено - лампочка, яка сигналізує про рівень заповнення резервуару водою погасне і ввімкнеться осушувач повітря.

Зверніть увагу, якщо резервуар буде встановлено неправильно, індикатор рівня заповнення водою буде горіти червоним світлом.

### **БЕЗПЕРЕРВНЕ ВІДВЕДЕННЯ ВОДИ**

Якщо осушувач повітря використовується в умовах високої вологості повітря, резервуар з водою слід частіше опорожнювати. У такому разі значно зручніше буде передбачити постійне опорожнення резервуару, для цього слід виконати наступні дії:

1. Вийміть резервуар з водою (FIG. 5).
2. Під'єднайте водопровід до випускного отвору діаметром: 11 мм (провід не постачається у комплекті з приладом) (FIG. 6).
3. Перевірте, щоб провід було правильно закріплено і вода стікала без перешкод. Увага! При дуже низьких температурах слід додатково захистити провід від замерзання.
4. Вставте резервуар з водою назад у пристрій.

### **►► 7. ОЧИЩЕННЯ І ТЕХНІЧНЕ ОБСЛУГОВУВАННЯ**

Перш ніж розпочати роботи з технічного обслуговування або очищення пристрою, його слід обов'язково відключити від мережі електроживлення.

### **ОЧИЩЕННЯ КОРПУСУ**

Для очищення пристрою використовуйте м'яку ганчірку.

У жодному разі не можна застосовувати летючі хімічні речовини, детергенти, бензин, тканини піддані хімічній обробці або інші розчини для очищення. Кожна з цих речовин може пошкодити корпус пристрою.

## ОЧИЩЕННЯ ФІЛЬТРА

Цю модель осушувача повітря оснащено двома видами фільтрів (FIG. 7):

### 1. ПРОТИПИЛОВИЙ ФІЛЬТР

- Зніміть кріплення фільтру, вийміть фільтр з активним вугіллям.

- Обережно очистіть фільтр за допомогою пилососу або промийте його під проточною водою. Якщо фільтр дуже забруднено, промийте його за допомогою теплої води і невеликої кількості неагресивного миючого засобу.

- Переконайтесь, що фільтр повністю сухий, перед його повторним використанням.

- Слід уникати впливу прямого сонячного проміння на фільтр.

### 2. АКТИВНИЙ ВУГІЛЬНИЙ ФІЛЬТР (для зв'язування часток пилу, що містяться у повітрі, а також запобігання розмноженню бактерій).

Активний вугільний фільтр розташовано за протипиловим фільтром, на відміну від нього, його не можна мити. Строк служби вугільного фільтра залежить від умов навколишнього середовища у місці, де використовується пристрій. Фільтр слід періодично перевіряти і замінювати у разі необхідності.

## ЗБЕРІГАННЯ

► Якщо пристрій протягом тривалого часу не використовується, його слід вимкнути. Кабель живлення необхідно відключити і почистити.

► Слід вилити усю воду із резервуара для води і витерти його дочиста.

► Пристрій слід накрити і зберігати у захищеному від сонячного проміння місці.

## ►► 8. ВИЯВЛЕННЯ НЕСПРАВНОСТЕЙ

### ПРИСТРІЙ НЕ ПРАЦЮЄ

► Перевірте, чи пристрій підключений до мережі.

► Перевірте, чи не вимкнене електропостачання будинку.

► Кімнатна температура дорівнює або вища 35°C? Якщо так, тоді ця температура виходить за межі робочого діапазону пристрою.

► Переконайтесь, що гіростат (або перемикач ON/OFF) ввімкнено.

► Перевірте, чи резервуар для води правильно встановлений у пристрої і чи він не заповнений.

► Перевірте, чи не заблоковані отвори входу і виходу повітря.

### ЗДАЄТЬСЯ, ПРИСТРІЙ НЕ ПРАЦЮЄ:

► Перевірте, чи не запилений, не забруднений фільтр.

► Перевірте, чи не заблоковані вхідний і вихідний отвори повітря.

► Перевірте, чи не занадто низька вологість у приміщенні.

### ЗДАЄТЬСЯ, ПРИСТРІЙ ПРАЦЮЄ НЕЕФЕКТИВНО:

► Перевірте, можливо відчинено занадто багато

дверей і вікон.

► Може у приміщенні знаходитися дещо, що спричинює високий рівень вологості?

### ПРИСТРІЙ ПРАЦЮЄ ЗАНАДТО ШУМНО:

► Перевірте, чи пристрій стоїть на рівній поверхні.

### ПРИСТРІЙ ПРОТІКАЄ:

► Перевірте технічний стан пристрою.

► Якщо функція безперервного відведення води не використовується, слід перевірити, чи гумова заглушка (знизу пристрою) знаходиться на своєму місці.

### Коди помилок на дисплеї

Код	Причина	Рішення
E1	Датчик температури доквілля (з прикриттям із смоли) відкритий або діє неправильно в результаті короткого замикання	Перевірити, чи правильно приєднаний датчик температури доквілля до друкарської плати.
		Замінити датчик температури доквілля.
		Замінити головну друкарську плату.
		Рівень вологості повітря нижче 40% відносної вологості.
E2	Датчик системи охолодження (з мідним прикриттям) відкритий або діє неправильно в результаті короткого замикання	Перевірити, чи правильно приєднаний датчик до друкарської плати.
		Замінити датчик.
		Замінити головну друкарську плату.
E3	Кабель датчика управління температурою (TC) погано підключений або пошкоджений. Пристрій буде видавати звуковий сигнал протягом 3 секунд, а повідомлення E3 буде блимати щосекундно. Компресор і двигун вентилятора перестануть працювати.	Датчик слід перевірити і замінити на новий.
E5	Якщо температура, обчислена датчиком T3, тримається на рівні як мінімум 130 °C протягом більше 5 секунд, пристрій буде видавати звуковий сигнал протягом 3 секунд, а повідомлення E5 буде блимати щомиті. Компресор і двигун вентилятора перестануть працювати.	У цій ситуації слід вимкнути і знову включити пристрій натисканням кнопки ON/OFF для того, щоб перевірити, чи буде і далі відображатися повідомлення E5. Якщо помилка не зникне, це буде означати, що система компресора працює неправильно. Систему компресора слід перевірити і усунути несправність.

# 目录

1...	工作原理
2...	使用场所
3...	使用前须知
4...	组件
5...	操作
6...	排水
7...	维护
8...	故障解决

在使用前，我们强烈建议您花时间仔细阅读此说明书并妥善保存以备不时之需。任何对此说明书不熟悉的人员都禁止使用此除湿机。

## ▶▶ 1. 工作原理:

这是一款除湿机。用于控制环境的相对湿度，通过将含有额外水分的空气通过降温元件来将水分冷凝。通过和低温的元件表面接触，使得空气中的水分可以凝结。冷凝水被安全的排入水箱。干燥的空气在通过略微发热的冷凝器后被稍微加热，然后重新进入环境中。

### ▶ FIG. 1

1. 干燥的热空气
2. 冷凝器 (升温的线圈)
3. 蒸发器 (冷凝线圈)
4. 潮湿的空气
5. 水箱
6. 压缩机

## ▶▶ 2. 使用场所

过量的水分会像厨房油烟一样在您的家里四处飘散。因此，除湿机应该放置在可以吸收到室内各处空气的中心位置或者空气流动频繁的通道等处。

当然，您也可以在开始使用除湿机时将其放置在特别潮湿的地方，然后逐渐的将其移动到中心位置。

当放置除湿机时，确保将其被摆放在一个水平的平面上，并保证其每个面都有至少10CM (4") 的敞开空间，来保证空气的流通。

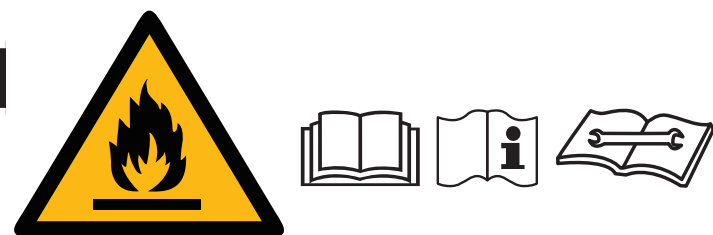
除湿机配有专门用于移动的滑轮。当需要移动设备时，请确保关闭电源并且排空水箱。

我们不建议使用延长的电源线。所以请确保除湿机离开电源插座足够接近。如果必须要使用延长线，请确保选择直径在1mm<sup>2</sup>以上的电源线。

为了确保除湿机达到最佳的除湿效果，请确保在设备运行时关闭门窗。

## ▶▶ 3. 使用前须知

注意:



这些标识在你的设备上的意思是:

▶ 这台是充注了R290的冷凝剂。请严格的按生产商的指

示进行使用和维护。

- ▶ 在使用设备前，请仔细阅读用户手册的所有内容
- ▶ 请不要小于4平方的空间内安装，使用或储存此设备。

请注意

- ▶ 设备只适合在室内使用
- ▶ 不要在衣橱，密室，船上，拖车或类似场地使用设备
- ▶ 请不要在游泳池，洗手间等极度潮湿场所使用设备。
- ▶ 在运输设备或倾斜设备（例如，清洗设备）后，请静放12小时后再连接电源。
- ▶ 设备只能正立平放在平整的地面上（包括运输时），必须和周围物体保持至少50厘米的距离。
- ▶ 不要在易爆场所使用设备，包括还有易爆液体，气体或粉尘的场所。
- ▶ 不要在易燃场所附近使用设备。不要在设备使用场所使用含有易爆物质的物体，例如进行喷涂，高压清洗，使用昆虫喷雾；这可能使塑料变形或者造成电路损坏。
- ▶ 请确保和周围任何明火或者高温物体保持最少50厘米的距离。
- ▶ 不要在设备上置放任何其他物品，不要堵住进出风口。
- ▶ 使设备远离泼水
- ▶ 在设备工作时，请严格看护儿童和宠物。
- ▶ 严禁儿童将设备作为玩具。
- ▶ 在没有成人看护下，儿童禁止清洗维护设备。
- ▶ 在设备不工作的状态下，可关机并拔出电源。
- ▶ 永远不要让正在工作的设备处于无人看护的状态下。
- ▶ 请不要用电源线拖动设备
- ▶ 请避免过度无序弯曲缠绕拉拽电源线，永远不要使用尼龙或铁丝困扎电源线
- ▶ 请确保插头插座处于可见状态下，易于插拔。
- ▶ 请不要使用延长电源线。
- ▶ 万一设备坠入水中，请不要尝试取回设备。应立即切断电源。在设备完全检查后再使用。
- ▶ 设备安装需符合国家电源规定。
- ▶ 为保持效率请不要在超过建议的空间面积内使用。
- ▶ 在设备使用时请关闭门窗。
- ▶ 在过热的天气下使用设备，请拉下窗帘或格栅。
- ▶ 保持滤网清洁。
- ▶ 一旦空间内达到理想的干燥状态，请调节温度和通风状态。
- ▶ 当发现设备电源线有损坏，请不要开启设备。如果设备在生产时或其他迹象不能正常运行，请将完整的设备退回至销售商处，或让有资质的电工进行检查或维修。应维持使用原厂配件。设备（包括电源线）不建议由无资质的人员进行检查或维修。
- ▶ 建议由专业人士进行阶段性的维护。
- ▶ 只有由资质的人员才能拆解更改设备。
- ▶ 设备只能使用于合理用途。其他用途将被视为不正当使用，使用者/操作者应对不正当而造成的损失和伤害负责。



- ▶ 在平稳垂直的水平面上操作除湿机，避免漏水等问题。
- ▶ 保持进出风口通畅无异物。
- ▶ 必须使用和机身所示铭牌一致的电源。
- ▶ 如果电源线损坏，必须由有授权认证的专业售后维护人员或具有类似相关资质的人员来进行替换，以免造成危险。
- ▶ 禁止使用电源插头来开关除湿机。确保使用面板上的开关来操作。
- ▶ 在移动除湿机前，确保关闭电源，拔出插座且清空水箱。
- ▶ 禁止向除湿机泼洒或喷洒液体。
- ▶ 禁止在除湿机附近使用杀虫剂或者其他易燃物品。
- ▶ 在没有专业人员对其安全负责或者对其进行操作指导的情况下，禁止行为能力，认知能力，智力障碍者或缺乏相关知识或经验的人员（包括儿童）操作除湿机。在任何情况下，儿童都应该被保持远离此设备。

#### ▶ □ 关于R290制冷剂的安全注意事项

- ▶ 请仔细阅读这篇安全警示
- ▶ 此设备装载了R290制冷剂。R290制冷剂符合欧洲最新的环保指令。切勿在制冷剂回路上打孔，R290是可燃性的。
- ▶ 除了生产商建议的，请不要使用其他方法来清洁或除霜。
- ▶ 设备应置于没有其他持续点火源的空间内（例如：含明火的设备，一台正在工作的燃气设备或电取暖器设备）
- ▶ 请不要在制冷配件上打孔或者焊接，不要再设备内使用明火。
- ▶ 设备应存放于避免被损坏的空间内。
- ▶ 设备在存放或使用时应放置在超过4平方米的空间内。
- ▶ 请注意，制冷剂是没有气味的。你不应该闻到任何泄露。
- ▶ 请确认制冷剂是符合当地的法规。
- ▶ 请保持通风口顺畅。
- ▶ 设备应存放在通风良好的区域，其空间大小应于操作规定的房间区域相符。
- ▶ 任何涉及制冷剂工作的人员应持有专业的有效证书，该机构可授权其按照行业认可的安全规范处理制冷剂
- ▶ 设备应根据制造商的建议进行维护和检修，并需要在持有制冷剂维护证书的专业人员帮助下进行此工作。

#### 重要!

禁止在环境温度低于5°C的场所使用除湿机，避免因此导致的蒸发线圈结冻。

#### ▶▶ 4. 组件

##### ▶ 前部 FIG. 2

1. 控制面板
2. 环境指示灯
3. 前面板
4. 后面板

##### ▶ 后部 FIG. 3

5. 风板
6. 把手
7. 进风口/过滤器
8. 水位指示窗口
9. 水箱

#### ▶▶ 5. 运行

#### ▶ 控制面板 FIG. 4

1. 湿度设置按钮
2. 工作模式指示灯（持续除湿，湿度40%，50%，60%，70%）
3. 湿度/温度显示器
4. 计时操作显示器
5. 温度显示按钮
7. 烘干指示器
8. 烘干按钮
9. 高速通风指示器
10. 风速/通风量按钮
11. 低速通风指示器
12. 电源指示器
13. 开关（电源）按钮
14. 水箱满水指示器
15. 计时按钮

请注意，面板上有3种不同颜色的指示灯来反应当前环境下的湿度水平。通过指示灯客户可以了解当前的环境湿度。

蓝色：环境湿度 > 70%

绿色：环境湿度 50~70%

红色：环境湿度 < 50%

红色闪烁：水箱满水警告

#### 运行操作：

1. 仔细确认设备后部铭牌上标称的电压功率是否和所用.....的电源相符，然后将除湿机的电源插头插入插座。
2. 按下开关键开启除湿机。压缩机会开始工作。
3. 按下湿度设定按钮来根据需要设定除湿模式：持续除湿，湿度40%，50%，60%，70%。并且对应的指示灯会亮起
4. 按下风速调节按钮来调节出风量和风速为高或者低。对应的指示灯会亮起。
5. 按下计时按钮来设置你需要的工作时间（1到24小时）。当按下计时按钮后，显示窗口会显示你所设定的工作时间。窗口会在8秒后恢复显示环境湿度。当运行到了设定的小时数，压缩机会自动停止运行。
6. 按下温度显示按钮，显示窗口会出现当前的环境温度，并且在8秒后恢复显示环境湿度。
7. 烘干按钮按下后会加大风机转速，并且持续的烘干潮湿的空气，因此可以用来干燥衣物。
8. 再次按下开关键来关闭除湿机。
9. 预设定时功能：在关机状态下按下计时按钮，则机器会在你设定的时间后自动开机运行。比如：在关机状态下设置了2小时，除湿机会在2小时候后自动启动。

#### ▶▶ 6. 排水

当水箱被储满时，压缩机会进行自我保护停止运行且满水指示灯会变红。将水箱水平的从机器上取出，清空后将其放回原位，并确保水箱被准确安装。再次开机后，设备将正常运行。注意：如果水箱没有被准确安装到合适的位置，满水指示灯会持续变红。

#### ▶▶ 持续排水：

当在非常潮湿的环境下使用除湿机时，水箱会需要更加频繁的排水，因此在这种情况下，将除湿机设为持续排水模式会更加便捷的为您提供除湿服务，可以通过以下几步进行操作：

1. 拿出水箱 (FIG. 5).
2. 将内径为11mm的水管连接到排水口（水管不是标准件）(FIG. 6).
3. 确保冷凝水可以畅通无阻的通过水管排出，并且水管不受干扰保持在准确的位置。注意：在寒冷环境或地区中，

必须采取预警措施防止水管被冻结。

4. 将水箱放回原来的位置。

## ▶▶ 7. 维护

在进行任何清理或者维护前，请确保关闭除湿机并且拔出了电源

### 清洁机身

禁止使用挥发性的化学物质，汽油，清洁剂，化工处理布料或其他清洁溶剂来清洁除湿机，否则可能损坏机器的外壳。

### 清洁过滤器

除湿机装有2个过滤器(FIG. 7):

#### 1. 防尘过滤器

打开过滤器盒，取出活性炭过滤器。使用吸尘器或者轻弹过滤器来进行较简便的清洁。如果过滤器非常的脏，可以使用中性清洁剂用温水洗净。

确保在重新安装过滤器前将其彻底干燥。禁止将过滤器在阳光下暴晒。

#### 2. 活性炭过滤器（用于阻挡空气中悬浮的颗粒物并且防止细菌滋生）

活性炭过滤器放置于防尘过滤器下面。这种过滤器是不可水洗的。其寿命因使用的环境不同而不同。此类过滤器必须定期检查（一般为6个月）并且根据需要进行替换。

### 储存

如果除湿机将被长期闲置，请保证，关闭设备，拔出电源并且取走AC电源线。

- ▶ 彻底排空水箱并且将其干燥。
- ▶ 将设备包好并放置在避免阳光直射的地方。

## ▶▶ 8. 故障解决

### 除湿机不运行

- ▶ 是否插上了电源？
- ▶ 供电是否正常？
- ▶ 室内温度是否低5摄氏度或者高于32摄氏度？如果是，则该温度已经超过了除湿机的启动温度范围。
- ▶ 确保按下了开关。
- ▶ 确保水箱是否被准确的装回了机器，并且已经排空。
- ▶ 确保进出风口没有被堵塞。

### 没有除湿效果

- ▶ 过滤网是否严重积灰或污染？
- ▶ 进出风口是否被堵塞
- ▶ 是否环境湿度已经非常低？

### 除湿效果不明显

- ▶ 是否开启了太多的门窗？
- ▶ 是否在房间内有物体在大量排放湿气或水分？

### 除湿机发出大量噪音

- ▶ 检查是否将机器垂直放置在平稳的水平面上。

### 除湿机漏水

- ▶ 确保设备处于一个正常的工作状态。
- ▶ 如果你使用的不是持续排水模式，确保机器底部的橡胶插头没有脱落和完好无损。

故障代码	原因	解决方式
E1	室温传感器（带树脂头）开路或短路故障	请检查或更换。
E2	冷凝管路探测器	请检查或更换。 请检查或更换 PCB.
E3	代表温度控制探头的连接线可能松动或损坏。设备会发出3下哔声，E3代码每秒钟会闪烁一次 压缩机和风扇会停止工作。	请检查或更换。
E5	当温度探头探知设备内的温度大于等于130摄氏度超过5秒后，E5代码或每秒闪烁一次，设备会发出3下哔声。压缩机和风扇会停止工作。	当E5情况发生时，请按电源键确认E5信号是否仍然存在。如果是，则表明压缩机系统异常。请检查并清除故障。







**CE CONFORMITY CERTIFICATE - DICHIARAZIONE DI CONFORMITÀ CE - EG-KONFORMITÄT SERKLÄRUNG - DECLARACIÓN DE CONFORMIDAD CE - DECLARATION DE CONFORMITE CE - EG-CONFORMITEITVERKLARING - DECLARAÇÃO DE CONFORMIDADE CE - EU-OVERENSSTEMMELSESERKLÆRING - EY-VAATIMUSTENMUKAISUUSVAKUUTUS - CE-SAMSVAR SERKLÆRING - EG-FÖRSÄKRAN OM ÖVERENSSTÄMMELSE - DEKLARACJA ZGODNOŚCI WE - ДЕКЛАРАЦИЯ О СООТВЕТСТВИИ CE - PROHLÁŠENÍ O SHODĚ CE - EK MEGFELELŐSÉGI NYILATKOZAT - IZJAVA O SKLADNOSTI IN OZNAKA CE - CE UYGUNLUK BEYANI - IZJAVA CE O SUKLADNOSTI - ES ATITIKTIES DEKLARACIJA - EK ATBILSTĪBAS - DEKLARĀCIJA - EÜ VASTAVUSDEKLARATSIOON - DECLARAȚIE DE CONFORMITATE CE - PREHLÁSENIE O ZHODE CE - ДЕКЛАРАЦИЯ ЗА СЪВМЕСТИМОСТ CE - ДЕКЛАРАЦИЯ ВІДПОВІДНОСТІ CE - IZJAVA CE O PRIKLADNOSTI ΔΗΛΩΣΗ ΣΥΜΜΟΡΦΩΣΗΣ CE - CE 符合性声明**

**Dantherm Group Sp. z o.o.  
ul. Magazynowa 5a, 62-023 Gądkki, Poland**

Product: - Prodotto: - Produkt: - Producto: - Produit: - Product: - Produto: - Produkt: - Tuote: - Produkt: - Produkt: - Produkt: - Изделие: - Výrobek: - Termék: - Izdelek: - Ürün: - Proizvod: - Gaminys: - Ieīce: - Toode: - Produsul: - Výrobok: - Продукт: - Виріб: - Proizvod: - Προϊόν: - 产品:

**DH 720 P**

We declare that it is compliant with: - Si dichiara che è conforme a: - Es wird als konform mit den folgenden Normen erklärt: - Se declara que está en conformidad con: - Nous déclarons sa conformité à: - Hierbij wordt verklaard dat het product conform is met: - Declara-se que está em conformidade com: - Vi erklærer at produktet er i overensstemmelse med: - Vakuutetaan olevan yhdenmukainen: - Man erklærer at apparatet er i overensstemmelse med: - Hämed intygas det att produkten är förenlig med följande: - Oświadcza się, że jest zgodny z: - Заявляем о соответствии требованиям: - Prohlašuje se, že je v souladu s: - Kijelentjük, hogy a termék megfelel az alábbiaknak: - Izpolnjuje zahteve: - Aşağıdaki standartlara uygun olduđunu beyan ederiz: - Izjavljuje se da je u skladu s: - Pareiškiame, kad atitinka: - Tiek deklarēts, ka atbilst: - Käesolevaga deklareeritakse, et toode vastab: - Declarăm că este conform următoarelor: - Prehlasuje sa, že je v súlade s: - Декларира се че отговаря на: - Відповідає вимогам: - Izjavljuje se da je u skladu s: - Δηλώνουμε ότι είναι σύµφωνο με: - 兹证明符合:

**2014/30/EU, 2014/35/EU, 2011/65/EU**

**EN 60335-1:2012+A11:2014+A13:2017+A1:2019+A14:2019+A2:2019+A15:2021,  
EN 60335-2-40:2003+A11:2004+A12:2005+A1:2006+A2:2009+A13:2012,  
EN IEC 55014-1:2021, EN IEC 55014-2:2021, EN 62233:2008,  
EN IEC 61000-3-2:2019+A1:2021, EN 61000-3-3:2013+A1:2019+A2:2021.**

*Davide Besnati (Member of the Board)*

*Gądkki, 30.01.2024*

### **BG - Изхвърляне на вашия стар уред**

- Когато този символ на задраскана кофа за боклук е поставен върху дадено изделие, това означава, че изделието попада под разпоредбите на Европейска директива 2002/96/EC.
- Всички електрически и електронни изделия трябва да се изхвърлят отделно от битовите отпадъци, в определени за целта съоръжения, посочени от държавните или местните органи.
- Правилното изхвърляне на вашия уред ще помогне за предотвратяване на възможни негативни последици за околната среда и човешкото здраве.
- За по-подробна информация за изхвърлянето на вашия стар уред се обърнете към вашата община, службите за събиране на отпадъци или магазина, откъдето сте купили своя уред.

### **CZ - Likvidace starého produktu**

- Produkt je navržen a vyroben za použití velmi kvalitních materiálů a komponent, které lze recyklovat a znovu použít. - Když je produktu připevněn symbol s přeškrtnutým košem, znamená to, že je produkt kryt evropskou směrnicí 2002/96/EC.
- Informujte se o místním tříděném systému pro elektrické produkty.
- Řiďte se místními pravidly a nelikvidujte staré produkty spolu s běžným odpadem. Správná likvidace starého produktu pomůže zabránit případným negativním následkům pro životní prostředí a lidské zdraví.

### **DE - Entsorgung Ihres Altgerätes**

- Ihr Produkt ist aus hochqualitativen Materialien und Bestandteilen hergestellt, die dem Recycling zugeführt und wiederverwertet werden können.
- Falls dieses symbol eines durchgestrichenen Müllcontainers auf Rollen auf diesem Produkt angebracht ist, bedeutet dies, dass es von der Europäischen Richtlinie 2002/96/EC erfasst wird.
- Bitte informieren Sie sich über die örtlichen Sammelstellen für Elektroprodukte und elektronische Geräte.
- Bitte beachten Sie die lokalen Vorschriften und entsorgen Sie Ihre Altgeräte nicht mit dem normalen Haushaltsmüll. Die korrekte Entsorgung Ihres Altgerätes ist ein Beitrag zur Vermeidung möglicher negativer Folgen für die Umwelt und die menschliche Gesundheit.

### **DK - Bortskaffelse af dit gamle produkt**

- Dit produkt er designet og produceret med materialer af høj kvalitet, som kan blive genbrugt.
- Når du ser symbolet med en skraldespand, der er kryds over, betyder det, at produktet er dækket af EU direktiv nr. 2002/96/EC.
- Venligst sæt dig ind i de danske regler om indsamling af elektriske og elektroniske produkter.
- Venligst overhold de danske regler og smid ikke dine gamle produkter ud sammen med dit normale husholdningsaffald. Den korrekte bortskaffelsesmetode vil forebygge negative følger for miljøet og folkesundheden.

### **EE - Informatsioon kasutatud elektrooniliste ja elektriseadmete likvideerimise kohta**

- See, seadmel olev märk informeerib, et tegemist on elektrooniliste või elektriseadmetega, mida pärast lõplikku kasutamist ei tohi hoida koos teiste jäätmetega.
- Kasutatud elektrooniliste ja elektriseadmete koostises on keskkonnale kahjulikke materjale. Selliseid seadmeid ei tohi hoida prügilates, need tuleb anda ümbertöötlemiseks.
- Informatsiooni kasutatud elektrooniliste ja elektriseadmete kogumissüsteemist võib saada seadme müüjalt müügikohtades ja tootjalt või maaletoojalt.
- Erilist tähelepanu peaksid osutama tarbijad, kes kasutavad nimetatud seadmeid eramajapidamises. Arvestades asjaoluga, et sellesse sektorisse satub kõige rohkem seadmeid, tähendab see, et nende osavõtt selektiivsest kasutatud seadmete kogumisest on eriti tähtis.
- Kasutatud elektrooniliste ja elektriseadmete hoidmine koos teiste jäätmetega on tarbijatele keelatud vastavalt Euroopa Liidu Direktiivile 2002/96/EC.

### **ES - Cómo deshacerse del producto usado**

- Su producto ha sido diseñado y fabricado con materiales y componentes de alta calidad, que pueden ser reciclados y reutilizados.
- Cuando vea este símbolo de una papelera con ruedas tachada junto a un producto, esto significa que el producto está bajo la Directiva Europea 2002/96/EC.
- Deberá informarse sobre el sistema de reciclaje local separado para productos eléctricos y electrónicos.
- Siga las normas locales y no se deshaga de los productos usados tirándolos en la basura normal de su hogar. El reciclaje correcto de su producto usado ayudará a evitar consecuencias negativas para el medio ambiente y la salud de las personas.

### **FI - Vanhan tuotteen hävittäminen**

- Tuotteesi on suunniteltu ja valmistettu korkealuokkaisista materiaaleista ja komponenteista, jotka voidaan kierrättää ja käyttää uudell.
- Kun tuotteessa on tämä ylivedetyn pyörillä olevan roskakorin symboli, tuote täyttää Euroopan Direktiivin 2002/96/EC.
- Ole hyvä ja etsi tieto lähimmästä erillisestä sähköllä toimivien tuotteiden keräysjärjestelmästä.
- Toimipaikallisten sääntöjen mukaisesti äläkä hävitä vanhaa tuotetta normaalin kotitalousjätteen joukossa. Tuotteen oikeanlainen hävittäminen auttaa estämään mahdolliset vaikutukset ympäristölle ja ihmisten terveydelle.

en

**FR - Se débarrasser de votre produit usagé**

- Votre produit est conçu et fabriqué avec des matériaux et des composants de haute qualité, qui peuvent être recyclés et utilisés de nouveau.

de

- Lorsque ce symbole d'une poubelle à roue barrée à un produit, cela signifie que le produit est couvert par la Directive Européenne 2002/96/EC.

es

- Veuillez vous informer du système local de séparation des déchets électriques et électroniques.

fr

- Veuillez agir selon les règles locales et ne pas jeter vos produits usages avec les déchets domestiques usuels. Jeter correctement votre produit usagé aidera à prévenir les conséquences négatives potentielles contre l'environnement et la santé humaine.

nl

**GB - Disposal of your old product**

- Your product is designed and manufactured with high quality materials and components, which can be recycled and reused.

pt

- When this crossed-out wheeled bin symbol is attached to a product it means the product is covered by the European Directive 2002/96/EC.

da

- Please inform yourself about the local separate collection system for electrical and electronic products.

fi

- Please act according to your local rules and do not dispose of your old product with your normal household waste. The correct disposal of your old product will help prevent potential negative consequences for the environment and human health.

no

**GR - Απόρριψη του παλαιού προϊόντος σας**

- Το προϊόν σας είναι σχεδιασμένο και κατασκευασμένο από υλικά και συστατικά υψηλής ποιότητας, τα οποία μπορούν να ανακυκλωθούν και να επαναχρησιμοποιηθούν.

se

- Όταν σε ένα προϊόν υπάρχει το σύμβολο του τροχοφόρου διαγράμμένου κάδου απορριμμάτων, σημαίνει ότι το προϊόν καλύπτεται από την Ευρωπαϊκή Οδηγία 2002/96/EC

pl

- Παρακαλούμε ενημερωθείτε σχετικά με το ξεχωριστό τοπικό σύστημα συλλογής ηλεκτρικών και ηλεκτρονικών προϊόντων.

ru

- Παρακαλούμε πράξτε σύμφωνα με τους τοπικούς κανονισμούς και μην απορρίπτετε τα παλαιά προϊόντα σας μαζί με οικιακά απορρίμματα. Η σωστή απόρριψη των παλαιών προϊόντων θα βοηθήσει στην αποτροπή αρνητικών συνεπειών στο περιβάλλον και την ανθρώπινη υγεία.

cs

**HU - Régi termékének eldobása**

- A terméket kiváló anyagokból és összetevőkből tervezték és készítették, melyek újrahasznosíthatóak és újra felhasználhatóak.

hu

- Ha az áthúzott kerek szemetes szimbólumot látja egy terméken, akkor a termék megfelel a 2002/96/EC Európai Direktívának.

sl

- Kérjük, érdeklődjön az elektromos és elektronikus termékek helyi szelektív hulladékgyűjtési rendjéről.

tr

- Kérjük, a helyi törvényeknek megfelelően járjon el, és régi termékeit ne a normális háztartási szeméttel dobja ki. A régi termék helyes eldobása segít megelőzni a lehetséges negatív következményeket a környezetre és az emberi egészségre nézve.

hr

**IT - Smaltimento del prodotto**

- Questo prodotto è stato progettato e fabbricato con materiali e componenti di alta qualità, che possono essere riciclati e riutilizzati.

it

- Quando ad un prodotto è attaccato il simbolo del bidone con le ruote segnato da una croce, significa che il prodotto è tutelato dalla Direttiva Europea 2002/96/EC.

lv

- Si prega di informarsi in merito al sistema locale di raccolta differenziata per i prodotti elettrici ed elettronici.

et

- Rispettare le norme locali in vigore e non smaltire i prodotti vecchi nei normali rifiuti domestici. Il corretto smaltimento del prodotto aiuta ad evitare possibili conseguenze negative per la salute dell'ambiente e dell'uomo.

ro

**LT - Informacija apie panaudotos elektrinės įrangos šalinimą**

- Panaudotą elektrinę ir elektroninę įrangą laikyti su kitomis atliekomis vartotojams draudžiama pagal Europos Sąjungos Direktyvą 2002/96/EC.

sk

- Šis ženklas, pavaizduotas ant įrenginio, informuoja, kad tai yra elektrinė arba elektroninė įranga, kuri panaudota negali būti laikoma kartu su kitomis atliekomis.

bg

- Panaudotos elektrinės įrangos sudėtyje yra natūraliai aplinkai kenksmingų medžiagų. Tokios įrangos negalima laikyti sąvartynuose, ji turi būti atiduota perdirbimui.

gr

- Informaciją apie panaudotos elektrinės įrangos rinkimo sistemą galima gauti įrenginių pardavimo vietose bei iš gamintojo arba importuotojo.

zh

**LV - Informācija par izlietoto elektrisko un elektronisko ierīču utilizēšanu**

- Izlietotas elektriskā un elektroniskās ierīces izmest ar citiem atkritumiem lietotājiem ir aizliegts saskaņā ar Eiropas Savienības Direktīvu 2002/96/EC.

- Šis simbols, attēlots uz ierīces, informē, ka tā ir elektriska vai elektronika ierīce, kuru pēc izlietošanas nedrīkst izmest kopā ar citiem atkritumiem.

- Informēra dig själv om lokala återvinnings och sophanteringssystem för elektriska och elektroniska produkter.

- Agera i enlighet med dina lokala regler och släng inte dina gamla produkter tillsammans med ditt normala hushållsavfall. Korrekt sophantering av din gamla produkt kommer att hjälpa till att för naturen och människors hälsa.

### **NL - Wegwerpen van uw afgedankt apparaat**

- Uw apparaat werd ontworpen met en vervaardigd uit onderdelen en materialen van superieure kwaliteit, die gerecycleerd en opnieuw gebruikt kunnen worden.
- Wanneer het symbool van een doorstreepte vuilnisemmer op wielen op een product is bevestigd, betekent dit dat het product conform is de Europese Richtlijn 2002/96/EC.
- Gelieve u te informeren in verband met het plaatselijke inzamelingsysteem voor elektrische en elektronische apparaten.
- Gelieve u te houden aan de plaatselijke reglementering en apparaten niet met het gewone huisvuil mee te geven. Door afgedankte apparaten op een correcte manier weg te werpen helpt u mogelijke negatieve gevolgen voor het milieu en de gezondheid te voorkomen.

### **PL - Usuwanie starego produktu**

- Zakupiony produkt zaprojektowano i wykonano z materiałów najwyższej jakości i komponentów, które podlegają recyklingowi i mogą być ponownie użyte.
- Jeżeli produkt jest oznaczony powyższym symbolem przekreślonego kosza na śmiecie, oznacza to że produkt spełnia wymagania Dyrektywy Europejskiej 2002/96/EC.
- Zaleca się zapoznanie z lokalnym systemem odbioru produktów elektrycznych i elektronicznych.
- Zaleca się działanie zgodnie z lokalnymi przepisami i nie wyrzucanie zużytych produktów do pojemników na odpady gospodarcze. Właściwe usuwanie starych produktów pomoże uniknąć potencjalnych negatywnych konsekwencji oddziaływania na środowisko i zdrowie ludzi.

### **PT - Descartar-se do seu produto velho**

- O seu produto está concebido e fabricado com materiais e componentes da mais alta qualidade, os quais podem ser reciclados e reutilizados.
- Quando o símbolo de um caixote do lixo com rodas e traçado or uma cruz estiver anexado a um produto, isto significa que o produto se encontra coberto pela Directiva Europeia 2002/96/EC.
- Por favor informe-se sobre o sistema local para a separação e recolha de produtos eléctricos e electrónicos.
- Actúe por favor em conformidade com as suas regras locais e, não se desfaça de produtos velhos conjuntamente com os seus desperdícios.

### **RO - Casarea aparatelor vechi**

- Această siglă (un cos de gunoi încercuit și tăiat) semnifică că faptul că produsul se află sub incidența Directivei Consiliului European 2002/96/EC.
- Aparatele electrice și electronice nu vor fi aruncate împreună cu gunoii menajeri, ci vor fi predate în vederea reciclării la centrele de colectare special amenajate, indicate de autoritățile naționale sau locale.
- Respectarea acestor cerințe va ajuta la prevenirea impactului negativ asupra mediului înconjurător și sănătății publice.
- Pentru informații mai detaliate referitoare la casarea aparatelor vechi, contactați autoritățile locale, serviciul de salubritate sau distribuitorul de la care ați achiziționat produsul.

### **RU - Утилизация старого устройства**

- Ваше устройство спроектировано и изготовлено из высококачественных Материалов и компонентов, которые можно утилизировать и использовать повторно
- Если товар имеет с зачеркнутым мусорным ящиком на колесах, это означает, что товар соответствует Европейской директиве 2002/96/EC.
- Ознакомьтесь с местной системой раздельного сбора электрических и электронных товаров.
- Утилизируйте старые устройства отдельно от бытовых отходов. Правильная утилизация вашего товара позволит предотвратить возможные отрицательные последствия для окружающей среды и человеческого здоровья.

### **SE - Undagörande av din gamla produk**

- Din produkt är designad och tillverkad med material och komponenter av högsta kvalitet, vilka kan återvinnas och återanvändas.
- När den här överstrukna sopkorgen på en produkt, betyder det att produkten täcks av Europeiska Direktiv 2002/96/EC.
- Informera dig själv om lokala återvinnings och sophanteringssystem för elektriska och elektroniska produkter.
- Agera i enlighet med dina lokala regler och släng inte dina gamla produkter tillsammans med ditt normala hushållsavfall. Korrekt sophantering av din gamla produkt kommer att hjälpa till att för naturen och människors häls.

### **SI - Končno odvajanje generatorja**

- Ta generator toplega zraka je bil načrtovan in proizveden z kakovostnimi materiali in sestavni deli se lahko predelujejo za ponovno uporabo.
- Kadar izdelek ima pritrjeno tablico z oznako z velikim zbiralnikom odpadkov z kolesi in ta oznaka je zaznamovana z križem, pomeni, da je izdelek zaščiten z Direktivo Evropske Skupnosti 2002/96/EC.
- Dobro vam priporočamo, da se informirate glede krajevnega sistema za izborno zbiranje električnih in elektronskih izdelkov.
- Vedno upoštevajte veljavne krajevne predpise in nikoli ne odvajajte stare izdelke skupaj z navadnimi hišnimi odpadki. Nepravilno odvajanje teh izdelkov lahko povzroči hude poškodbe osebam in okolju.

en

it

de

es

fr

nl

pt

dk

fi

no

se

pl

ru

sc

hu

sl

tr

hr

it

lv

et

ro

sk

bg

gr

zh



en

**SK - Likvidácia vášho starého prístroja**

- Keď sa na produkte nachádza tento symbol prečiarknutej smetnej nádoby s kolieskami, znamená to, že daný produkt vyhovuje európskej Smernici č 2002/96/EC.

de

- Všetky elektrické a elektronické produkty by mali byť zlikvidované oddelené od komunálneho odpadu prostredníctvom na to určených zberných zariadení, ktoré boli ustanovené vládou alebo orgánmi miestnej správy.

es

- Správnu likvidáciu starých zariadení pomôžete predchádzať potenciálnym negatívnym následkom pre prostredie a ľudské zdravie.

fr

- Podrobnejšie informácie o likvidácii starých zariadení nájdete na miestnom úrade, v službe na likvidáciu odpadu alebo u predajcu, kde ste tento produkt zakúpili.

nl

**TR - Ürünün bertaraf edilmesi**

- Bu ürün, dönüştürülmesi ve yeniden kullanımı mümkün yüksek kaliteli malzeme ve komponentler ile tasarlanmıştır ve üretilmiştir.

pt

- Bir ürüne, x isareti ile isaretlenmiş tekerlekli bir bidon sembolü yapılandırılmış ise bu, ürünün 2002/96/EC Avrupa Direktifi uyarınca korunduğu anlamına gelir.

da

- Elektrik ve elektronik ürünler için ayrıştırılmış toplama mahalli sistemine ilişkin bilgi almanız rica edilir.

fi

- Yürürlükteki mevzuata uyunuz ve eski ürünleri normal ev atıkları ile birlikte bertaraf etmeyiniz. Ürünün doğru bertaraf edilmesi, çevre ve insan sağlığı üzerinde olası olumsuz sonuçların önlenmesine katkıda bulunur.

no

se

pl

ru

cs

hu

sl

tr

hr

lt

lv

et

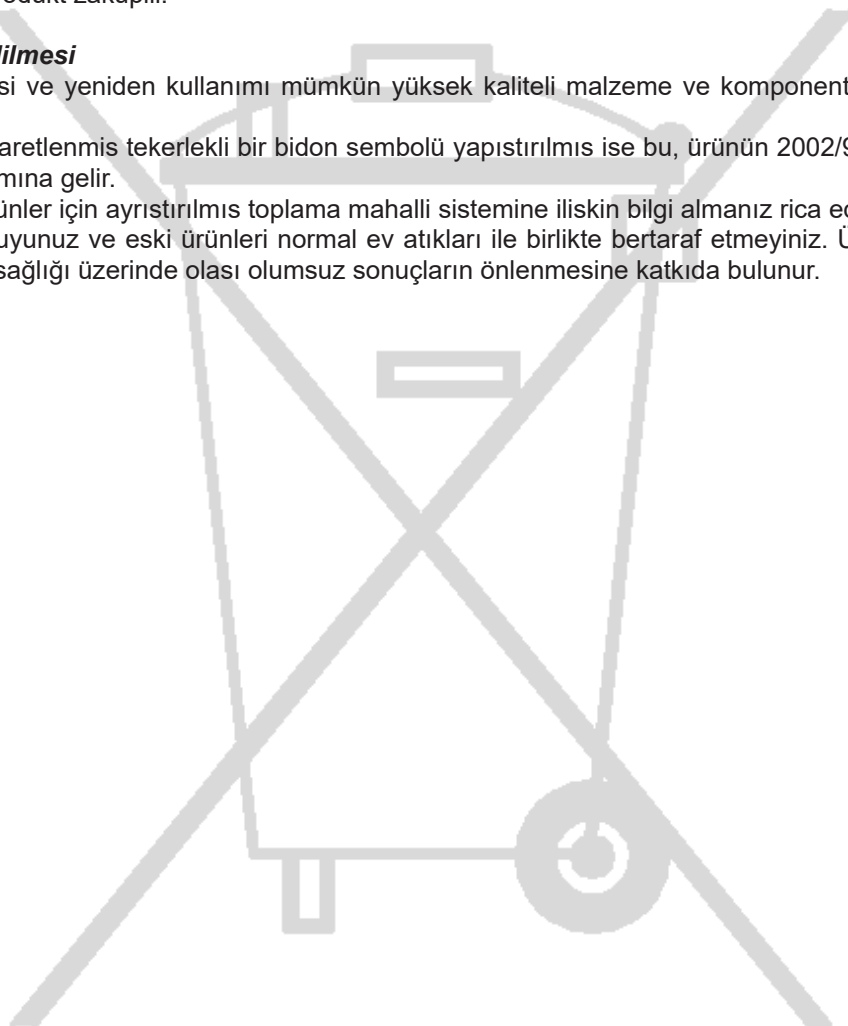
ro

sk

bg

gr

zh







---

**Dantherm Group Sp. z o.o.**  
ul. Magazynowa 5a  
62-032 Gądko  
Poland  
tel.: +48 61 654 40 00  
e-mail: [sales.pl@danthermgroup.com](mailto:sales.pl@danthermgroup.com)



DOWNLOAD  
CATALOGUE



SEND US YOUR  
FEEDBACK



REGISTER FOR  
3-YEAR WARRANTY

---

We will not accept any responsibility for any errors and omissions in this user manual.  
All images and copy within this user manual are protected by copyright.

---